



# CATALOG 2023

## FURNITURE, HOODS AND SERVING LINES

made of stainless steel

Check Stalgast  
catalogs online

[stalgaast.eu](https://stalgaast.eu)





We support gastronomy in **ECO style**



**Polish production,**  
European quality



**>7500 products**  
in stock



**20 000**  
pallet spaces



**More than 600**  
employees



**98% product**  
availability

**We have been supporting gastro businesses in Poland and abroad for over 30 years!**

We are a team of professionals in various areas: engineers and designers, sales managers who are also your product advisors, culinary experts and service technicians. We have a business approach to gastronomy and share your strive to succeed. That's why we advise, support, cooperate but, above all, build long-lasting partnerships. We offer effective solutions and reliable equipment, while supporting our customers all the way from business idea to fully functioning successful business. Gastronomy is our passion. In cooperation with the best specialists, we produce gastronomy equipment and select products from renowned global manufacturers.

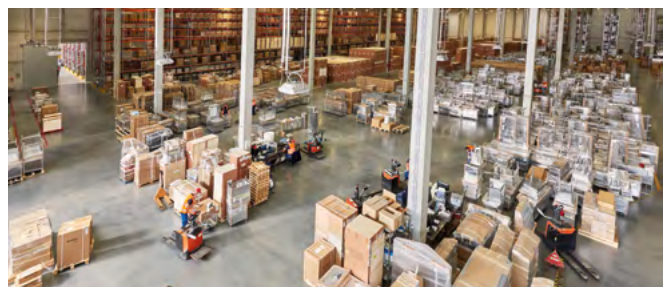
We are happy to share our experience and knowledge of gastronomy with you!



Our Logistics Center, built in 2018, is one of the largest and most advanced in the industry. We use state-of-the-art equipment and processes to ensure safe and fast deliveries to our domestic and foreign customers.

- 20 000 pallet capacity
- Same-day shipments
- Over 7500 products in stock
- 10 ramps

**Stalgast  
Modern  
Logistics  
Center**





## Polish production

Modern Factory of Gastronomy Equipment in Radom.

We have been manufacturing gastronomy equipment and accessories since 2008. Our factory in Radom was completely overhauled in 2020 to ensure we operate the most advanced production facilities.

Our products include “24h” and „on demand” stainless steel furniture, professional dishwashers, ventilation hoods, commercial kitchen range and serving lines.

We are the only company in the country that manufactures gastronomic accessories made of plastic, including dishwasher baskets and cutting boards. We keep adding new products from this group to our offer.

As a market leader, we have introduced innovative, environmentally friendly solutions in the production of stainless steel furniture, and we are successfully expanding this process on other product ranges.



Our 20-strong Research and Development Center is constantly working to ensure the quality of our products.



We work with **220** partners in over **40** countries



[stalcast.eu](http://stalcast.eu)



[export@stalcast.com](mailto:export@stalcast.com)



## Production of our stainless steel furniture **Pro-ecological solutions**

The Stalgast Radom company uses a unique, innovative, environmentally friendly production process of stainless steel furniture, eliminating the technical foil. This modification involves the use of advanced technologies, the latest machinery and the most careful quality control procedures. Below we present the benefits of the innovative production of our furniture:

- 🔸 Ensuring fast and convenient service of each investment due to the maximum reduction of furniture unpacking time and reduction of assembly costs.
- 🔸 On the basis of a statistical analysis of the causes of transport damage we managed to eliminate the risk of damage to products during transport, storage and distribution to the maximum by using appropriate packaging materials.
- 🔸 The use of the highest quality materials in production processes, excluding the possibility of „masking“ defects hidden under the technical foil.
- 🔸 Pro-ecological action eliminating the use of technical glue covered foil from the production process in favor of stretch foil and ecological cardboard.

**Our company sets new quality standards, with concern for the convenience of customers and ecology by completely eliminating the technical foil from the production process.**



# Packaging system



All Stalgast products belonging to the category of stainless steel furniture are double-packed with heavy-duty stretch film and protectors - angles made of five-layer cardboard protecting the edges of the countertop.

1

The highest quality product from the innovative production line Stalgast Radom



2

A product protected by a layer of „stretch” film



3

A product protected by two layers of „stretch” film and cardboard protectors





Production of our stainless steel furniture

## General information

All our products made of stainless steel are a monolithic welded or bolted structure according to the product's design requirements. All furniture is fitted with adjustable feet and a protective equipotential pin.

### TECHNICAL CHARACTERISTICS:



#### SINKS, WASHBASINS AND WALL TABLES

- include rear edge as standard



#### TABLE TOPS

- made of stainless steel
- reinforced underneath with double-laminated panel
- the edge of the plate at the rear is protected by a stainless steel profile



#### TABLE FEET

- made of square profiles
- adjustable feet in the range from +25 mm to -5 mm



#### TABLE BASES

- reinforced in the upper part with a metal frame or square profile
- clearance between the floor and the lower edge of the profile, shelves, or bottom of the furniture



#### DOORS

- made of two layers of sheet metal in the form of a stiffened can
- fitted with a magnetic latch
- fitted with a recessed handgrip (handle) made of ABS



#### SLIDING DOORS

- suspended in the body on a stainless steel guide and moved by means of rollers
- cradle at the bottom for easy disassembly of the door



#### RACKS

- rack shelves reinforced by bending the inside edge and using metal profiles (omega type)
- maximum load on the shelves is up to 70 kg/m<sup>2</sup>
- adjustable feet in the range from +25 mm to -5 mm
- legs made of square profiles or angles



#### CABINETS

- cabinet bodies made of stainless steel
- cabinet legs made of square profiles
- cabinet shelves reinforced by bending the inside edge and using metal profiles (omega type)



#### DRAWERS

- made of stainless steel
- guide rails made of galvanized steel, three sections, ball-bearings, allowing full drawer extension
- assembly and disassembly of guides in the cabinet body does not require tools
- the drawer's front panel is made of two layers of sheet metal
- maximum load up to 25 kg
- fitted with a recessed handgrip (handle) made of ABS



#### TABLE TOPS WITH SINKS

- recessed tabletops
- reinforced with metal profiles (omega type)
- equipped with a hole for a diameter tap  $\varnothing=33$ mm



#### SINK COMPARTMENTS

- made of stainless steel
- equipped with a siphon hole



#### BASINS

- made of stainless steel
- equipped with a hole for a diameter tap  $\varnothing=33$  mm

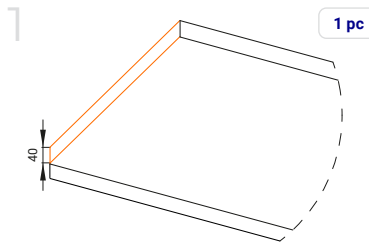


#### TROLLEYS

- welded construction
- dimensions according to the complete outline

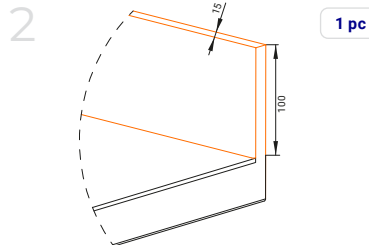


Side edge h=40 mm



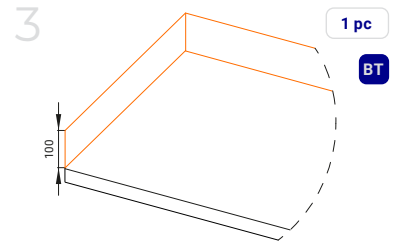
Price net: **31 €**

Box-shaped upstand h=100x15 mm



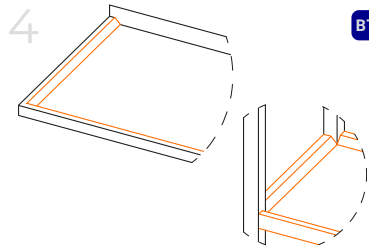
Price net: **57 €**

Edge h=100 mm



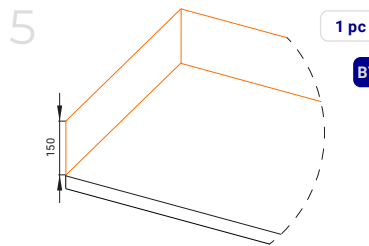
Price net: **57 €**

Recessed tabletop or shelf



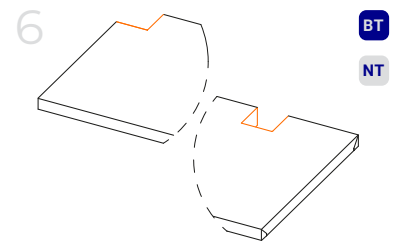
Price net: **69 €**

Edge h=150 mm



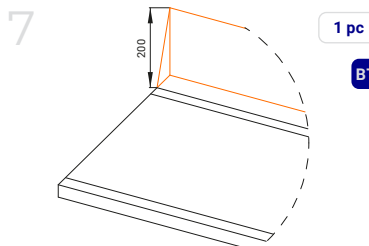
Price net: **57 €**

Worktop cut-out



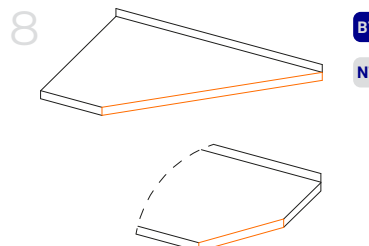
Price net: **72 €**

Edge h=200 mm  
(applies to loading and unloading tables)



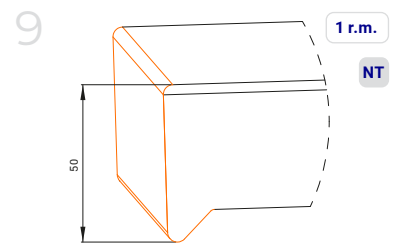
Price net: **57 €**

Worktop cut



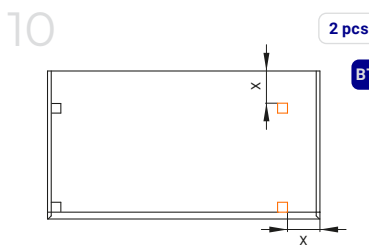
Price net: **72 €**

Folded edge



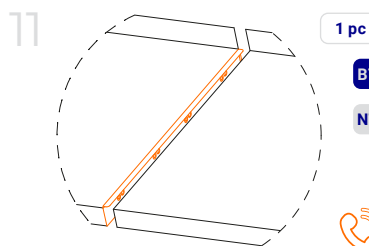
Price net: **32 €**

Moving back the leg



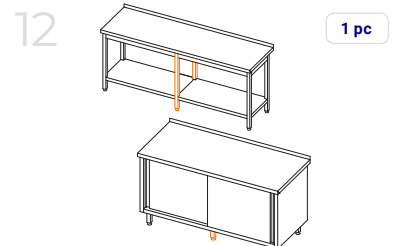
Price net: **32 €**

„Seamless“ tabletop connection



Price net: **140 €**

Additional leg



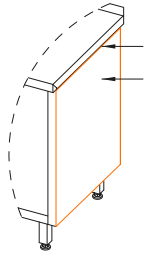
Price net: **32 €**



## Production of our stainless steel furniture **Services**

Side cladding  
in the body table

13

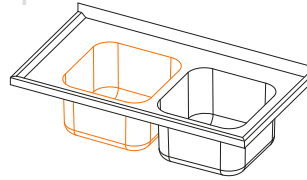


1 pc

Price net: **39 €**

Additional compartment:  
400x400x250 mm, 500x500x250 mm  
or 400x500x250 mm

14

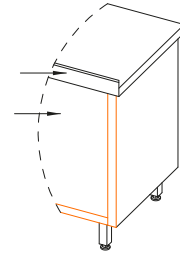


BT

Price net: **159 €**

Back wall cladding

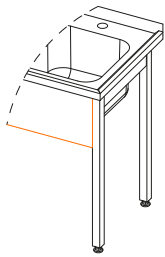
15



Price net: **72 €**

Sink compartment  
cover h=300 mm

16

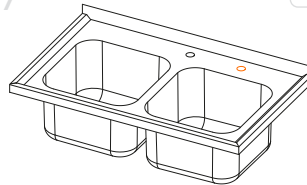


1 r.m.

Price net: **57 €**

Additional hole for tap

17



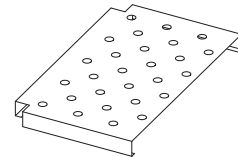
1 pc

BT

Price net: **10 €**

Shelf perforation

18



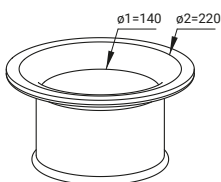
1 pc

BT

Price net: **32 €**

Waste hole  
with rubber ring

19

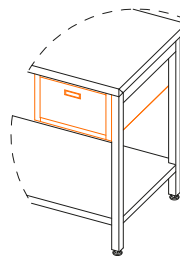


BT

Price net: **72 €**

Additional drawer

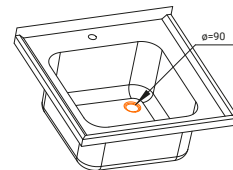
20



Price net: **167 €**

Hole for waste disposal unit

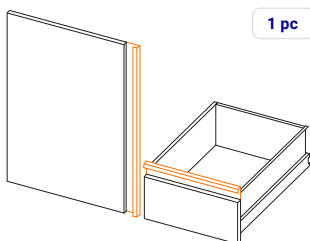
21



Price net: **32 €**

Inox door and drawer  
handles

22

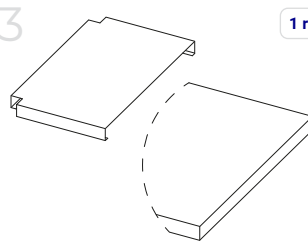


1 pc

Price net: **32 €**

Additional shelf

23

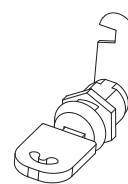


1 r.m.

Price net: **88 €**

Swing doors  
and drawers lock  
(two keys included)

24



1 pc

Price net: **39 €**

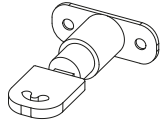




Lock for sliding doors  
(two keys included)

25

1 pc

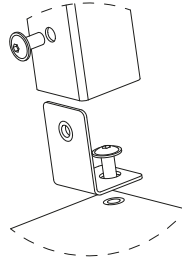


Price net: **39 €**

Mounting of overshelves  
and extensions

26

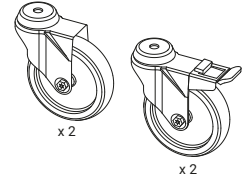
BT



Price net: **32 €**

Set of 4 wheels  $\varnothing=100$  mm  
(2 with break)

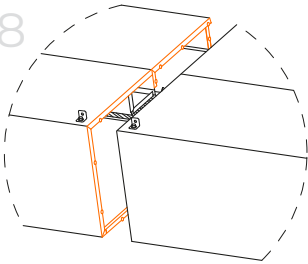
27



Price net: **159 €**

Hood divided

28

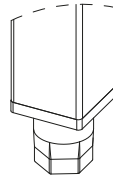


Price net: **91 €**

Steel leveling pad

29

1 pc

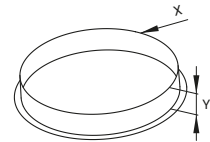


Price net: **12 €**

Non-standard tube stub

30

1 pc

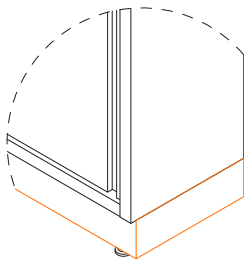


Price net: **69 €**

Skirting board h=150 mm

31

1 r.m.



Price net: **54 €**

BT

the service does not apply to recessed sinktops

NT

multiple services requested to be applied at a single product require a separate quote from Stalgast

X pc

price per „X“ pc/pcs

1 r.m.

price per running meter



please contact our sales representative to order this option



Are you planning to launch an eating place?  
**Stalgast Design Studio**



Our experienced professionals are experts in designing catering facilities. So, you can be sure that you are in good hands.

A design of technological facilities is not only about equipment - an important factor is to guarantee safe and efficient operation of the kitchen and customer service. We take this into account at every stage of project realization. We use modern design tools that allow us to develop and present a project considering all Your requirements and needs. Stalgast Design Studio operates all over Poland, providing direct support in the implementation of the investment and design supervision to ensure the preparation of infrastructure for the proper installation of technological equipment.

## What will we take care of when designing your commercial kitchen?

- ✦ Efficiency and productivity of the kitchen
- ✦ Safety and comfort of employees
- ✦ Optimization of investment costs
- ✦ Protection against costly design errors
- ✦ Compliance with sanitary standards and requirements



**stalgast**  
**Design Studio**

Discover our comprehensive offer and make an appointment






[export@stalgast.com](mailto:export@stalgast.com)



# Furniture





and devices

<b>01</b>	Worktables		13-32
<b>02</b>	Sink units		33-74
<b>03</b>	Deep pot sinks		75-78
<b>04</b>	Washbasins		79-82
<b>05</b>	Storage cabinets		83-90
<b>06</b>	Cupboards		91-93
<b>07</b>	Wall shelves		94-98
<b>08</b>	Racks		99-101
<b>09</b>	Overshelves		102-104
<b>10</b>	Stands		105-106
<b>11</b>	Waste containers		107-108

<b>12</b>	Trolleys		109-113
<b>13</b>	Hoods		114-126
<b>14</b>	Heated cupboards		127-128
<b>15</b>	Heated overshelves		129-131
<b>16</b>	Bain-maries		132-134

# Serving

lines

<b>17</b>	Framed construction system		135-145
<b>18</b>	Modular construction system		146-159
<b>19</b>	Drop-in elements		160-170
<b>20</b>	Additional equipment		171-178



Designations used in the catalog

# Legend

## Explanation of the product description

### 01 Worktables

**004**  
**WALL TABLE WITH SHELF**  
**H=850 MM**

- screw-joined table for self-assembly
- legs and shelf joined using screws
- furniture shipped disassembled
- optional suspended drawer for self-assembly

**NEW**

W - Width  
D - Depth  
H - Height  
ø - Diameter

### Furniture and devices

98 004 6 040

- 98 indicates product group - furniture
- 004 indicates product sub-group - wall table with shelf
- 6 defines D (depth) of the piece furniture - 600 mm
- 040 defines W (width) of the piece furniture - 400 mm

Width W (mm)	Depth D=600 (mm)		Depth D=700 (mm)	
	Cat. No.	Price net (€)	Cat. No.	Price net (€)
400	<b>980046040</b>	261	980047040	283
500	980046050	273	980047050	295
600	980046060	285	980047060	307
...	...	...	...	...

**NOTE:** Products indicated as „for assembly” in the standard version, may also be produced in welded variant. To order welded version, add „S” at the end of a catalogue number (e.g. **980046040S** - wall table with shelf 400x600x850 mm, **welded**).

### Serving lines

ST 101 091

- ST indicates product group - serving lines
- 101 indicates product sub-group - standing unit with an insulated neutral bath
- 091 indicates an element of serving line

Width W (mm)	Depth D=750 (mm)		
	Cat. No.	Type	Price net (€)
920	<b>ST101091</b>	SS	1352
920	ST101092	G1	tel.
920	ST101093	G2	tel.

Material of the front panel:  
**SS** – stainless steel  
**G1** – grey stone  
**G2** – natural granite as per the list of sample colors  
 See available colors of granite for tabletops and front panels at p. 180

# Worktables



01

# 01 Worktables

## 001

### WALL TABLE WITHOUT SHELF H=850 MM

- screw-joined table for self-assembly
- legs joined using screws
- furniture shipped disassembled
- optional suspended drawer (self-mounting)



#### SUSPENDED DRAWER H=260 MM

- for tables starting from W ≥ 600
- 982324041 for tables with D=600
- 982325041 for tables with D=700



Width W (mm)	Depth D=480 (mm)		Depth D=580 (mm)	
	Cat. No.	Price net (€)	Cat. No.	Price net (€)
410	982324041	151	982325041	158

Width W (mm)	Depth D=600 (mm)		Depth D=700 (mm)	
	Cat. No.	Price net (€)	Cat. No.	Price net (€)
400	980016040	208	980017040	221
500	980016050	223	980017050	236
600	980016060	238	980017060	251
700	980016070	251	980017070	270
800	980016080	268	980017080	288
900	980016090	284	980017090	298
1000	980016100	299	980017100	307
1100	980016110	311	980017110	329
1200	980016120	321	980017120	352
1300	980016130	342	980017130	365
1400	980016140	363	980017140	379
1500	980016150	384	980017150	394
1600	980016160	405	980017160	409
1700	980016170	427	980017170	427
1800	980016180	451	980017180	446
1900	980016190	476	980017190	467

## 002

### WALL TABLE WITHOUT SHELF H=850 MM

- welded table
- optional suspended drawer (self-mounting)



#### SUSPENDED DRAWER H=260 MM

- for tables starting from W ≥ 600
- 982324041 for tables with D=600
- 982325041 for tables with D=700



Width W (mm)	Depth D=480 (mm)		Depth D=580 (mm)	
	Cat. No.	Price net (€)	Cat. No.	Price net (€)
410	982324041	151	982325041	158

Width W (mm)	Depth D=600 (mm)		Depth D=700 (mm)	
	Cat. No.	Price net (€)	Cat. No.	Price net (€)
400	980026040	224	980027040	238
500	980026050	240	980027050	254
600	980026060	256	980027060	270
700	980026070	270	980027070	290
800	980026080	288	980027080	310
900	980026090	305	980027090	320
1000	980026100	322	980027100	330
1100	980026110	334	980027110	354
1200	980026120	345	980027120	378
1300	980026130	368	980027130	393
1400	980026140	390	980027140	408
1500	980026150	407	980027150	433
1600	980026160	422	980027160	451
1700	980026170	440	980027170	470
1800	980026180	457	980027180	489
1900	980026190	475	980027190	507

## 003

### WALL TABLE WITHOUT SHELF H=850 MM

- welded table
- optional suspended drawer (self-mounting)



Width W (mm)	Depth D=600 (mm)		Depth D=700 (mm)	
	Cat. No.	Price net (€)	Cat. No.	Price net (€)
2000	980036200	492	980037200	524
2100	980036210	511	980037210	543
2200	980036220	531	980037220	564
2300	980036230	551	980037230	585
2400	980036240	576	980037240	611
2500	980036250	601	980037250	637
2600	980036260	631	980037260	678
2700	980036270	661	980037270	719
2800	980036280	691	980037280	760

#### SUSPENDED DRAWER H=260 MM

- 982324041 for tables with D=600
- 982325041 for tables with D=700



Width W (mm)	Depth D=480 (mm)		Depth D=580 (mm)	
	Cat. No.	Price net (€)	Cat. No.	Price net (€)
410	982324041	151	982325041	158

004

**WALL TABLE WITH SHELF  
H=850 MM**

- screw-joined table for self-assembly
- legs and shelf joined using screws
- furniture shipped disassembled
- optional suspended drawer (self-mounting)



**SUSPENDED DRAWER  
H=260 MM**

- for tables starting from W ≥ 600
- 982324041 for tables with D=600
- 982325041 for tables with D=700



Width W (mm)	Depth D=480 (mm)		Depth D=580 (mm)	
	Cat. No.	Price net (€)	Cat. No.	Price net (€)
410	982324041	151	982325041	158

Width W (mm)	Depth D=600 (mm)		Depth D=700 (mm)	
	Cat. No.	Price net (€)	Cat. No.	Price net (€)
400	980046040	261	980047040	283
500	980046050	273	980047050	295
600	980046060	285	980047060	307
700	980046070	303	980047070	326
800	980046080	320	980047080	344
900	980046090	341	980047090	361
1000	980046100	361	980047100	378
1100	980046110	382	980047110	406
1200	980046120	402	980047120	433
1300	980046130	411	980047130	455
1400	980046140	420	980047140	477
1500	980046150	445	980047150	501
1600	980046160	486	980047160	521
1700	980046170	505	980047170	546
1800	980046180	524	980047180	570
1900	980046190	542	980047190	588

005

**WALL TABLE WITH SHELF  
H=850 MM**

- welded table
- optional suspended drawer (self-mounting)



Width W (mm)	Depth D=600 (mm)		Depth D=700 (mm)	
	Cat. No.	Price net (€)	Cat. No.	Price net (€)
2000	980056200	559	980057200	605
2100	980056210	578	980057210	624
2200	980056220	598	980057220	644
2300	980056230	619	980057230	665
2400	980056240	638	980057240	684
2500	980056250	658	980057250	704
2600	980056260	679	980057260	725
2700	980056270	698	980057270	744
2800	980056280	718	980057280	764

**SUSPENDED DRAWER  
H=260 MM**

- 982324041 for tables with D=600
- 982325041 for tables with D=700



Width W (mm)	Depth D=480 (mm)		Depth D=580 (mm)	
	Cat. No.	Price net (€)	Cat. No.	Price net (€)
410	982324041	151	982325041	158

006

**WALL TABLE WITH TWO SHELVES  
H=850 MM**

- screw-joined table for self-assembly
- legs and shelves joined using screws
- furniture shipped disassembled



Width W (mm)	Depth D=600 (mm)		Depth D=700 (mm)	
	Cat. No.	Price net (€)	Cat. No.	Price net (€)
400	980066040	277	980067040	295
500	980066050	297	980067050	318
600	980066060	322	980067060	346
700	980066070	350	980067070	379
800	980066080	378	980067080	411
900	980066090	408	980067090	441
1000	980066100	437	980067100	471
1100	980066110	464	980067110	504
1200	980066120	491	980067120	536
1300	980066130	519	980067130	566
1400	980066140	547	980067140	596
1500	980066150	580	980067150	626
1600	980066160	608	980067160	660
1700	980066170	636	980067170	691
1800	980066180	664	980067180	722
1900	980066190	702	980067190	765

## 01 Worktables

**007**

### WALL TABLE WITH TWO SHELVES H=850 MM

- welded table



Width W (mm)	Depth D=600 (mm)		Depth D=700 (mm)	
	Cat. No.	Price net (€)	Cat. No.	Price net (€)
2000	980076200	739	980077200	807
2100	980076210	767	980077210	837
2200	980076220	797	980077220	869
2300	980076230	827	980077230	901
2400	980076240	856	980077240	932
2500	980076250	884	980077250	962
2600	980076260	911	980077260	991
2700	980076270	929	980077270	1011
2800	980076280	959	980077280	1043

**008**

### CENTRAL TABLE WITHOUT SHELVES H=850 MM

- screw-joined table for self-assembly
- legs joined using screws
- furniture shipped disassembled



Width W (mm)	Depth D=700 (mm)		Depth D=800 (mm)	
	Cat. No.	Price net (€)	Cat. No.	Price net (€)
800	980087080	270	980088080	274
900	980087090	287	980088090	309
1000	980087100	303	980088100	331
1100	980087110	309	980088110	341
1200	980087120	315	980088120	351
1300	980087130	336	980088130	366
1400	980087140	357	980088140	389
1500	980087150	372	980088150	404
1600	980087160	390	980088160	419
1700	980087170	407	980088170	437
1800	980087180	423	980088180	455
1900	980087190	441	980088190	473

**009**

### CENTRAL TABLE WITHOUT SHELVES H=850 MM

- welded table



Width W (mm)	Depth D=700 (mm)		Depth D=800 (mm)	
	Cat. No.	Price net (€)	Cat. No.	Price net (€)
2000	980097200	458	980098200	490
2100	980097210	493	980098210	525
2200	980097220	510	980098220	543
2300	980097230	529	980098230	563
2400	980097240	548	980098240	588
2500	980097250	568	980098250	614
2600	980097260	590	980098260	637
2700	980097270	620	980098270	668
2800	980097280	645	980098280	694

**010**

### CENTRAL TABLE WITH SHELF H=850 MM

- screw-joined table for self-assembly
- legs and shelf joined using screws
- furniture shipped disassembled



Width W (mm)	Depth D=700 (mm)		Depth D=800 (mm)	
	Cat. No.	Price net (€)	Cat. No.	Price net (€)
800	980107080	312	980108080	325
900	980107090	328	980108090	349
1000	980107100	343	980108100	372
1100	980107110	366	980108110	393
1200	980107120	389	980108120	415
1300	980107130	402	980108130	428
1400	980107140	414	980108140	439
1500	980107150	430	980108150	461
1600	980107160	454	980108160	467
1700	980107170	467	980108170	481
1800	980107180	480	980108180	495
1900	980107190	495	980108190	510



**011**

**CENTRAL TABLE WITH SHELF  
H=850 MM**

- welded table

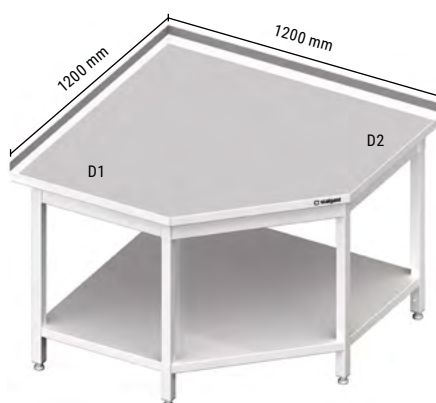


Width W (mm)	Depth D=700 (mm)		Depth D=800 (mm)	
	Cat. No.	Price net (€)	Cat. No.	Price net (€)
2000	980117200	612	980118200	630
2100	980117210	633	980118210	655
2200	980117220	655	980118220	680
2300	980117230	676	980118230	705
2400	980117240	698	980118240	730
2500	980117250	720	980118250	756
2600	980117260	745	980118260	788
2700	980117270	770	980118270	817
2800	980117280	795	980118280	846

**012**

**CORNER WALL TABLE  
H=850 MM**

- welded table



Depth D1 (mm)	Depth D2=600 (mm)		Depth D2=700 (mm)	
	Cat. No.	Price net (€)	Cat. No.	Price net (€)
600	980126060	673	980126070	684
700	980127060	684	980127070	715

**013**

**WALL TABLE BUILT-UP WITH TWO SHELVES  
H=850 MM**

- welded table
- adjustable shelf height



Width W (mm)	Depth D=600 (mm)		Depth D=700 (mm)	
	Cat. No.	Price net (€)	Cat. No.	Price net (€)
400	980136040	439	980137040	502
500	980136050	467	980137050	528
600	980136060	495	980137060	554
700	980136070	523	980137070	576
800	980136080	550	980137080	596
900	980136090	586	980137090	628
1000	980136100	622	980137100	661
1100	980136110	652	980137110	682
1200	980136120	681	980137120	703
1300	980136130	708	980137130	730
1400	980136140	737	980137140	759
1500	980136150	767	980137150	788

**014**

**WALL TABLE WITH HINGED DOOR  
H=850 MM**

- hinges on the left side
- adjustable shelf height
- optional lock



Width W (mm)	Depth D=600 (mm)		Depth D=700 (mm)	
	Cat. No.	Price net (€)	Cat. No.	Price net (€)
450	980146045	499	980147045	570
500	980146050	531	980147050	600
600	980146060	562	980147060	630

# 01 Worktables

## 015

### WALL TABLE WITH HINGED DOORS H=850 MM

- adjustable shelf height
- optional lock



Width W (mm)	Depth D=600 (mm)		Depth D=700 (mm)	
	Cat. No.	Price net (€)	Cat. No.	Price net (€)
700	980156070	594	980157070	654
800	980156080	625	980157080	677
900	980156090	666	980157090	714
1000	980156100	707	980157100	751
1100	980156110	741	980157110	775
1200	980156120	774	980157120	799
1300	980156130	805	980157130	830

## 016

### WALL TABLE WITH HINGED DOORS H=850 MM

- adjustable shelf height
- with no partition dividing the smaller and larger sections of the cabinet
- optional lock



Width W (mm)	Depth D=600 (mm)		Depth D=700 (mm)	
	Cat. No.	Price net (€)	Cat. No.	Price net (€)
1400	980166140	837	980167140	863
1500	980166150	872	980167150	1030

## 017

### CENTRAL TABLE, DOUBLE-SIDED WITH HINGED DOORS H=850 MM

- adjustable shelf height
- optional lock



Width W (mm)	Depth D=600 (mm)		Depth D=700 (mm)	
	Cat. No.	Price net (€)	Cat. No.	Price net (€)
800	980176080	710	980177080	743
900	980176090	754	980177090	798
1000	980176100	803	980177100	847
1100	980176110	847	980177110	897
1200	980176120	897	980177120	946
1300	980176130	946	980177130	996

## 018

### WALL TABLE WITH SLIDING DOORS H=850 MM

- adjustable shelf height
- optional lock



Width W (mm)	Depth D=600 (mm)		Depth D=700 (mm)	
	Cat. No.	Price net (€)	Cat. No.	Price net (€)
800	980186080	679	980187080	715
900	980186090	714	980187090	755
1000	980186100	749	980187100	795
1100	980186110	787	980187110	838
1200	980186120	824	980187120	881
1300	980186130	859	980187130	922
1400	980186140	893	980187140	962
1500	980186150	928	980187150	1003
1600	980186160	965	980187160	1043
1700	980186170	1030	980187170	1083
1800	980186180	1196	980187180	1125
1900	980186190	1240	980187190	1168

**019**

**CENTRAL TABLE, DOUBLE-SIDED WITH SLIDING DOORS  
H=850 MM**

- adjustable shelf height
- optional lock



Width W (mm)	Depth D=600 (mm)		Depth D=700 (mm)	
	Cat. No.	Price net (€)	Cat. No.	Price net (€)
800	980196080	835	980197080	879
900	980196090	878	980197090	929
1000	980196100	921	980197100	978
1100	980196110	968	980197110	1031
1200	980196120	1014	980197120	1084
1300	980196130	1057	980197130	1134
1400	980196140	1098	980197140	1183
1500	980196150	1141	980197150	1234
1600	980196160	1187	980197160	1283
1700	980196170	1232	980197170	1332
1800	980196180	1279	980197180	1384
1900	980196190	1326	980197190	1437

**020**

**WALL TABLE WITH TWO DRAWERS UNIT  
H=850 MM**

- drawers depth 200 mm
- optional lock



Width W (mm)	Depth D=600 (mm)		Depth D=700 (mm)	
	Cat. No.	Price net (€)	Cat. No.	Price net (€)
450	980206455	541	980207455	572

**021**

**WALL TABLE WITH THREE DRAWERS UNIT  
H=850 MM**

- drawers depth 150 mm
- optional lock



Width W (mm)	Depth D=600 (mm)		Depth D=700 (mm)	
	Cat. No.	Price net (€)	Cat. No.	Price net (€)
450	980216455	645	980217455	680

**022**

**WALL TABLE WITH FOUR DRAWERS UNIT  
H=850 MM**

- drawers depth 200 mm
- optional lock



Width W (mm)	Depth D=600 (mm)		Depth D=700 (mm)	
	Cat. No.	Price net (€)	Cat. No.	Price net (€)
840	980226840	891	980227840	948

## 023

### WALL TABLE WITH SIX DRAWERS UNIT H=850 MM

- drawers depth 150 mm
- optional lock



Width W (mm)	Depth D=600 (mm)		Depth D=700 (mm)	
	Cat. No.	Price net (€)	Cat. No.	Price net (€)
840	980236840	1125	980237840	1195

## 024

### WALL TABLE WITH TWO DRAWERS UNIT, WITHOUT SHELF H=850 MM

- drawers depth 200 mm
- optional lock



Width W (mm)	Depth D=600 (mm)		Depth D=700 (mm)	
	Cat. No.	Price net (€)	Cat. No.	Price net (€)
800	980246080	640	980247080	680
900	980246090	655	980247090	700
1000	980246100	675	980247100	720
1100	980246110	690	980247110	735
1200	980246120	710	980247120	755
1300	980246130	725	980247130	775
1400	980246140	745	980247140	795
1500	980246150	760	980247150	810
1600	980246160	775	980247160	830
1700	980246170	795	980247170	850
1800	980246180	810	980247180	865
1900	980246190	825	980247190	885

## 025

### WALL TABLE WITH TWO DRAWERS UNIT, WITHOUT SHELF H=850 MM

- drawers depth 200 mm
- optional lock



Width W (mm)	Depth D=600 (mm)		Depth D=700 (mm)	
	Cat. No.	Price net (€)	Cat. No.	Price net (€)
800	980256080	640	980257080	680
900	980256090	655	980257090	700
1000	980256100	675	980257100	720
1100	980256110	690	980257110	735
1200	980256120	710	980257120	755
1300	980256130	725	980257130	775
1400	980256140	745	980257140	795
1500	980256150	760	980257150	810
1600	980256160	775	980257160	830
1700	980256170	795	980257170	850
1800	980256180	810	980257180	865
1900	980256190	825	980257190	885

## 026

### WALL TABLE WITH TWO DRAWERS UNIT AND SHELF H=850 MM

- drawers depth 200 mm
- optional lock



Width W (mm)	Depth D=600 (mm)		Depth D=700 (mm)	
	Cat. No.	Price net (€)	Cat. No.	Price net (€)
800	980266080	670	980267080	720
900	980266090	690	980267090	740
1000	980266100	710	980267100	765
1100	980266110	735	980267110	790
1200	980266120	755	980267120	810
1300	980266130	775	980267130	835
1400	980266140	795	980267140	860
1500	980266150	820	980267150	880
1600	980266160	840	980267160	905
1700	980266170	860	980267170	925
1800	980266180	880	980267180	950
1900	980266190	905	980267190	975

**027**

**WALL TABLE WITH TWO DRAWERS UNIT AND SHELF  
H=850 MM**

- drawers depth 200 mm
- optional lock



Width W (mm)	Depth D=600 (mm)		Depth D=700 (mm)	
	Cat. No.	Price net (€)	Cat. No.	Price net (€)
800	980276080	670	980277080	720
900	980276090	690	980277090	740
1000	980276100	710	980277100	765
1100	980276110	735	980277110	790
1200	980276120	755	980277120	810
1300	980276130	775	980277130	835
1400	980276140	795	980277140	860
1500	980276150	820	980277150	880
1600	980276160	840	980277160	905
1700	980276170	860	980277170	925
1800	980276180	880	980277180	950
1900	980276190	905	980277190	975

**028**

**WALL TABLE WITH TWO DRAWERS UNIT  
AND TWO SHELVES  
H=850 MM**

- drawers depth 200 mm
- optional lock



Width W (mm)	Depth D=600 (mm)		Depth D=700 (mm)	
	Cat. No.	Price net (€)	Cat. No.	Price net (€)
800	980286080	815	980287080	875
900	980286090	845	980287090	910
1000	980286100	880	980287100	945
1100	980286110	910	980287110	980
1200	980286120	940	980287120	1015
1300	980286130	975	980287130	1050
1400	980286140	1005	980287140	1085
1500	980286150	1035	980287150	1120
1600	980286160	1070	980287160	1155
1700	980286170	1100	980287170	1190
1800	980286180	1125	980287180	1220
1900	980286190	1160	980287190	1255

**029**

**WALL TABLE WITH TWO DRAWERS UNIT  
AND TWO SHELVES  
H=850 MM**

- drawers depth 200 mm
- optional lock



Width W (mm)	Depth D=600 (mm)		Depth D=700 (mm)	
	Cat. No.	Price net (€)	Cat. No.	Price net (€)
800	980296080	815	980297080	875
900	980296090	845	980297090	910
1000	980296100	880	980297100	945
1100	980296110	910	980297110	980
1200	980296120	940	980297120	1015
1300	980296130	975	980297130	1050
1400	980296140	1005	980297140	1085
1500	980296150	1035	980297150	1120
1600	980296160	1070	980297160	1155
1700	980296170	1100	980297170	1190
1800	980296180	1125	980297180	1220
1900	980296190	1160	980297190	1255

## 030

### WALL TABLE WITH TWO DRAWERS UNIT, HINGED DOOR H=850 MM

- hinges on the right side
- adjustable shelf height
- drawers depth 200 mm
- optional lock



Width W (mm)	Depth D=600 (mm)		Depth D=700 (mm)	
	Cat. No.	Price net (€)	Cat. No.	Price net (€)
800	<b>980306080</b>	<b>855</b>	<b>980307080</b>	<b>915</b>
900	<b>980306090</b>	<b>900</b>	<b>980307090</b>	<b>965</b>
1000	<b>980306100</b>	<b>945</b>	<b>980307100</b>	<b>1015</b>

## 031

### WALL TABLE WITH TWO DRAWERS UNIT, HINGED DOOR H=850 MM

- hinges on the left side
- adjustable shelf height
- drawers depth 200 mm
- optional lock



Width W (mm)	Depth D=600 (mm)		Depth D=700 (mm)	
	Cat. No.	Price net (€)	Cat. No.	Price net (€)
800	<b>980316080</b>	<b>855</b>	<b>980317080</b>	<b>915</b>
900	<b>980316090</b>	<b>900</b>	<b>980317090</b>	<b>965</b>
1000	<b>980316100</b>	<b>945</b>	<b>980317100</b>	<b>1015</b>

## 032

### WALL TABLE WITH TWO DRAWERS UNIT, HINGED DOORS H=850 MM

- adjustable shelf height
- drawers depth 200 mm
- optional lock



Width W (mm)	Depth D=600 (mm)		Depth D=700 (mm)	
	Cat. No.	Price net (€)	Cat. No.	Price net (€)
1100	<b>980326110</b>	<b>1005</b>	<b>980327110</b>	<b>1075</b>
1200	<b>980326120</b>	<b>1060</b>	<b>980327120</b>	<b>1140</b>
1300	<b>980326130</b>	<b>1110</b>	<b>980327130</b>	<b>1190</b>
1400	<b>980326140</b>	<b>1160</b>	<b>980327140</b>	<b>1240</b>
1500	<b>980326150</b>	<b>1205</b>	<b>980327150</b>	<b>1285</b>
1600	<b>980326160</b>	<b>1250</b>	<b>980327160</b>	<b>1335</b>
1700	<b>980326170</b>	<b>1300</b>	<b>980327170</b>	<b>1385</b>
1800	<b>980326180</b>	<b>1345</b>	<b>980327180</b>	<b>1440</b>
1900	<b>980326190</b>	<b>1390</b>	<b>980327190</b>	<b>1490</b>

**033**

**WALL TABLE WITH TWO DRAWERS UNIT, HINGED DOORS  
H=850 MM**

- adjustable shelf height
- drawers depth 200 mm
- optional lock



Width W (mm)	Depth D=600 (mm)		Depth D=700 (mm)	
	Cat. No.	Price net (€)	Cat. No.	Price net (€)
1100	980336110	1005	980337110	1075
1200	980336120	1060	980337120	1140
1300	980336130	1110	980337130	1190
1400	980336140	1160	980337140	1240
1500	980336150	1205	980337150	1285
1600	980336160	1250	980337160	1335
1700	980336170	1300	980337170	1385
1800	980336180	1345	980337180	1440
1900	980336190	1390	980337190	1490

**034**

**WALL TABLE WITH TWO DRAWERS UNIT, SLIDING DOORS  
H=850 MM**

- adjustable shelf height
- drawers depth 200 mm
- optional lock



Width W (mm)	Depth D=600 (mm)		Depth D=700 (mm)	
	Cat. No.	Price net (€)	Cat. No.	Price net (€)
1200	980346120	1085	980347120	1170
1300	980346130	1125	980347130	1210
1400	980346140	1160	980347140	1250
1500	980346150	1200	980347150	1290
1600	980346160	1240	980347160	1335
1700	980346170	1275	980347170	1370
1800	980346180	1315	980347180	1415
1900	980346190	1355	980347190	1455

**035**

**WALL TABLE WITH TWO DRAWERS UNIT, SLIDING DOORS  
H=850 MM**

- adjustable shelf height
- drawers depth 200 mm
- optional lock



Width W (mm)	Depth D=600 (mm)		Depth D=700 (mm)	
	Cat. No.	Price net (€)	Cat. No.	Price net (€)
1200	980356120	1085	980357120	1170
1300	980356130	1125	980357130	1210
1400	980356140	1160	980357140	1250
1500	980356150	1200	980357150	1290
1600	980356160	1240	980357160	1335
1700	980356170	1275	980357170	1370
1800	980356180	1315	980357180	1415
1900	980356190	1355	980357190	1455

## 036

### WALL TABLE WITH THREE DRAWERS UNIT, WITHOUT SHELF H=850 MM

- drawers depth 150 mm
- optional lock



Width W (mm)	Depth D=600 (mm)		Depth D=700 (mm)	
	Cat. No.	Price net (€)	Cat. No.	Price net (€)
800	980366080	770	980367080	820
900	980366090	785	980367090	840
1000	980366100	805	980367100	860
1100	980366110	820	980367110	875
1200	980366120	835	980367120	895
1300	980366130	855	980367130	910
1400	980366140	870	980367140	930
1500	980366150	885	980367150	950
1600	980366160	905	980367160	965
1700	980366170	920	980367170	985
1800	980366180	940	980367180	1005
1900	980366190	960	980367190	1025

## 037

### WALL TABLE WITH THREE DRAWERS UNIT, WITHOUT SHELF H=850 MM

- drawers depth 150 mm
- optional lock



Width W (mm)	Depth D=600 (mm)		Depth D=700 (mm)	
	Cat. No.	Price net (€)	Cat. No.	Price net (€)
800	980376080	770	980377080	820
900	980376090	785	980377090	840
1000	980376100	805	980377100	860
1100	980376110	820	980377110	875
1200	980376120	835	980377120	895
1300	980376130	855	980377130	910
1400	980376140	870	980377140	930
1500	980376150	885	980377150	950
1600	980376160	905	980377160	965
1700	980376170	920	980377170	985
1800	980376180	940	980377180	1005
1900	980376190	960	980377190	1025

## 038

### WALL TABLE WITH THREE DRAWERS UNIT AND SHELF H=850 MM

- drawers depth 150 mm
- optional lock



Width W (mm)	Depth D=600 (mm)		Depth D=700 (mm)	
	Cat. No.	Price net (€)	Cat. No.	Price net (€)
800	980386080	800	980387080	855
900	980386090	820	980387090	880
1000	980386100	840	980387100	900
1100	980386110	860	980387110	925
1200	980386120	880	980387120	950
1300	980386130	905	980387130	970
1400	980386140	925	980387140	995
1500	980386150	945	980387150	1020
1600	980386160	970	980387160	1040
1700	980386170	990	980387170	1065
1800	980386180	1010	980387180	1090
1900	980386190	1030	980387190	1110



**039**

**WALL TABLE WITH THREE DRAWERS UNIT AND SHELF  
H=850 MM**

- drawers depth 150 mm
- optional lock



Width W (mm)	Depth D=600 (mm)		Depth D=700 (mm)	
	Cat. No.	Price net (€)	Cat. No.	Price net (€)
800	980396080	800	980397080	855
900	980396090	820	980397090	880
1000	980396100	840	980397100	900
1100	980396110	860	980397110	925
1200	980396120	880	980397120	950
1300	980396130	905	980397130	970
1400	980396140	925	980397140	995
1500	980396150	945	980397150	1020
1600	980396160	970	980397160	1040
1700	980396170	990	980397170	1065
1800	980396180	1010	980397180	1090
1900	980396190	1030	980397190	1110

**040**

**WALL TABLE WITH THREE DRAWERS UNIT AND TWO SHELVES  
H=850 MM**

- drawers depth 150 mm
- optional lock



Width W (mm)	Depth D=600 (mm)		Depth D=700 (mm)	
	Cat. No.	Price net (€)	Cat. No.	Price net (€)
800	980406080	945	980407080	1015
900	980406090	975	980407090	1045
1000	980406100	1010	980407100	1080
1100	980406110	1040	980407110	1120
1200	980406120	1070	980407120	1150
1300	980406130	1100	980407130	1185
1400	980406140	1130	980407140	1220
1500	980406150	1160	980407150	1255
1600	980406160	1195	980407160	1290
1700	980406170	1225	980407170	1325
1800	980406180	1255	980407180	1360
1900	980406190	1290	980407190	1395

**041**

**WALL TABLE WITH THREE DRAWERS UNIT AND TWO SHELVES  
H=850 MM**

- drawers depth 150 mm
- optional lock



Width W (mm)	Depth D=600 (mm)		Depth D=700 (mm)	
	Cat. No.	Price net (€)	Cat. No.	Price net (€)
800	980416080	945	980417080	1015
900	980416090	975	980417090	1045
1000	980416100	1010	980417100	1080
1100	980416110	1040	980417110	1120
1200	980416120	1070	980417120	1150
1300	980416130	1100	980417130	1185
1400	980416140	1130	980417140	1220
1500	980416150	1160	980417150	1255
1600	980416160	1195	980417160	1290
1700	980416170	1225	980417170	1325
1800	980416180	1255	980417180	1360
1900	980416190	1290	980417190	1395

## 042

### WALL TABLE WITH THREE DRAWERS UNIT, HINGED DOOR H = 850 MM

- hinges on the right side
- adjustable shelf height
- drawers depth 150 mm
- optional lock



Width W (mm)	Depth D=600 (mm)		Depth D=700 (mm)	
	Cat. No.	Price net (€)	Cat. No.	Price net (€)
800	980426080	1010	980427080	1080
900	980426090	1055	980427090	1130
1000	980426100	1105	980427100	1180

## 043

### WALL TABLE WITH THREE DRAWERS UNIT, HINGED DOOR H=850 MM

- hinges on the left side
- adjustable shelf height
- drawers depth 150 mm
- optional lock



Width W (mm)	Depth D=600 (mm)		Depth D=700 (mm)	
	Cat. No.	Price net (€)	Cat. No.	Price net (€)
800	980436080	1010	980437080	1080
900	980436090	1055	980437090	1130
1000	980436100	1105	980437100	1180

## 044

### WALL TABLE WITH THREE DRAWERS UNIT, HINGED DOORS H=850 MM

- adjustable shelf height
- drawers depth 150 mm
- optional lock



Width W (mm)	Depth D=600 (mm)		Depth D=700 (mm)	
	Cat. No.	Price net (€)	Cat. No.	Price net (€)
1100	980446110	1160	980447110	1245
1200	980446120	1225	980447120	1310
1300	980446130	1275	980447130	1365
1400	980446140	1320	980447140	1415
1500	980446150	1370	980447150	1465
1600	980446160	1420	980447160	1515
1700	980446170	1465	980447170	1565
1800	980446180	1515	980447180	1620
1900	980446190	1565	980447190	1670

**045**

**WALL TABLE WITH THREE DRAWERS UNIT, HINGED DOORS  
H=850 MM**

- adjustable shelf height
- drawers depth 150 mm
- optional lock



Width W (mm)	Depth D=600 (mm)		Depth D=700 (mm)	
	Cat. No.	Price net (€)	Cat. No.	Price net (€)
1100	980456110	1160	980457110	1245
1200	980456120	1225	980457120	1310
1300	980456130	1275	980457130	1365
1400	980456140	1320	980457140	1415
1500	980456150	1370	980457150	1465
1600	980456160	1420	980457160	1515
1700	980456170	1465	980457170	1565
1800	980456180	1515	980457180	1620
1900	980456190	1565	980457190	1670

**046**

**WALL TABLE WITH THREE DRAWERS UNIT, SLIDING DOORS  
H=850 MM**

- adjustable shelf height
- drawers depth 150 mm
- optional lock



Width W (mm)	Depth D=600 (mm)		Depth D=700 (mm)	
	Cat. No.	Price net (€)	Cat. No.	Price net (€)
1200	980466120	1245	980467120	1275
1300	980466130	1275	980467130	1335
1400	980466140	1310	980467140	1400
1500	980466150	1365	980467150	1465
1600	980466160	1430	980467160	1500
1700	980466170	1460	980467170	1550
1800	980466180	1500	980467180	1595
1900	980466190	1540	980467190	1640

**047**

**WALL TABLE WITH THREE DRAWERS UNIT, SLIDING DOORS  
H=850 MM**

- adjustable shelf height
- drawers depth 150 mm
- optional lock



Width W (mm)	Depth D=600 (mm)		Depth D=700 (mm)	
	Cat. No.	Price net (€)	Cat. No.	Price net (€)
1200	980476120	1245	980477120	1275
1300	980476130	1275	980477130	1335
1400	980476140	1310	980477140	1400
1500	980476150	1365	980477150	1465
1600	980476160	1430	980477160	1500
1700	980476170	1460	980477170	1550
1800	980476180	1500	980477180	1595
1900	980476190	1540	980477190	1640

# 01 Worktables

## 048

### WALL TABLE WITH CABINET, WITHOUT SHELF H=850 MM

- adjustable shelf height in the cabinet
- optional lock



Width W (mm)	Depth D=600 (mm)		Depth D=700 (mm)	
	Cat. No.	Price net (€)	Cat. No.	Price net (€)
800	980486080	546	980487080	575
900	980486090	565	980487090	599
1000	980486100	580	980487100	613
1100	980486110	599	980487110	632
1200	980486120	613	980487120	646
1300	980486130	632	980487130	665
1400	980486140	646	980487140	684
1500	980486150	665	980487150	703
1600	980486160	679	980487160	722
1700	980486170	698	980487170	741
1800	980486180	713	980487180	760
1900	980486190	732	980487190	780

## 049

### WALL TABLE WITH CABINET, WITHOUT SHELF H=850 MM

- adjustable shelf height in the cabinet
- optional lock



Width W (mm)	Depth D=600 (mm)		Depth D=700 (mm)	
	Cat. No.	Price net (€)	Cat. No.	Price net (€)
800	980496080	546	980497080	575
900	980496090	565	980497090	599
1000	980496100	580	980497100	613
1100	980496110	599	980497110	632
1200	980496120	613	980497120	646
1300	980496130	632	980497130	665
1400	980496140	646	980497140	684
1500	980496150	665	980497150	703
1600	980496160	679	980497160	722
1700	980496170	698	980497170	741
1800	980496180	713	980497180	760
1900	980496190	732	980497190	780

## 050

### WALL TABLE WITH CABINET AND SHELF H=850 MM

- adjustable shelf height in the cabinet
- optional lock



Width W (mm)	Depth D=600 (mm)		Depth D=700 (mm)	
	Cat. No.	Price net (€)	Cat. No.	Price net (€)
800	980506080	580	980507080	613
900	980506090	599	980507090	637
1000	980506100	618	980507100	656
1100	980506110	637	980507110	679
1200	980506120	660	980507120	703
1300	980506130	679	980507130	727
1400	980506140	698	980507140	751
1500	980506150	722	980507150	770
1600	980506160	741	980507160	793
1700	980506170	765	980507170	817
1800	980506180	784	980507180	836
1900	980506190	805	980507190	860

**051**

**WALL TABLE WITH CABINET AND SHELF  
H=850 MM**

- adjustable shelf height in the cabinet
- optional lock



Width W (mm)	Depth D=600 (mm)		Depth D=700 (mm)	
	Cat. No.	Price net (€)	Cat. No.	Price net (€)
800	980516080	580	980517080	613
900	980516090	599	980517090	637
1000	980516100	618	980517100	656
1100	980516110	637	980517110	679
1200	980516120	660	980517120	703
1300	980516130	679	980517130	727
1400	980516140	698	980517140	751
1500	980516150	722	980517150	770
1600	980516160	741	980517160	793
1700	980516170	765	980517170	817
1800	980516180	784	980517180	836
1900	980516190	805	980517190	860

**052**

**WALL TABLE WITH CABINET AND TWO SHELVES  
H=850 MM**

- adjustable shelf height in the cabinet
- optional lock



Width W (mm)	Depth D=600 (mm)		Depth D=700 (mm)	
	Cat. No.	Price net (€)	Cat. No.	Price net (€)
800	980526080	722	980527080	765
900	980526090	751	980527090	798
1000	980526100	784	980527100	831
1100	980526110	812	980527110	869
1200	980526120	841	980527120	903
1300	980526130	874	980527130	936
1400	980526140	903	980527140	969
1500	980526150	931	980527150	1007
1600	980526160	964	980527160	1036
1700	980526170	993	980527170	1069
1800	980526180	1021	980527180	1102
1900	980526190	1055	980527190	1140

**053**

**WALL TABLE WITH CABINET AND TWO SHELVES  
H=850 MM**

- adjustable shelf height in the cabinet
- optional lock



Width W (mm)	Depth D=600 (mm)		Depth D=700 (mm)	
	Cat. No.	Price net (€)	Cat. No.	Price net (€)
800	980536080	722	980537080	765
900	980536090	751	980537090	798
1000	980536100	784	980537100	831
1100	980536110	812	980537110	869
1200	980536120	841	980537120	903
1300	980536130	874	980537130	936
1400	980536140	903	980537140	969
1500	980536150	931	980537150	1007
1600	980536160	964	980537160	1036
1700	980536170	993	980537170	1069
1800	980536180	1021	980537180	1102
1900	980536190	1055	980537190	1140

## 054

### WALL TABLE WITH CABINET, HINGED DOORS H=850 MM

- a partition dividing small and large sections of the cabinet
- adjustable shelf height in the large chamber
- optional lock



Width W (mm)	Depth D=600 (mm)		Depth D=700 (mm)	
	Cat. No.	Price net (€)	Cat. No.	Price net (€)
1200	980546120	1078	980547120	1150
1300	980546130	1133	980547130	1199
1400	980546140	1183	980547140	1254
1500	980546150	1232	980547150	1309
1600	980546160	1282	980547160	1359
1700	980546170	1331	980547170	1414
1800	980546180	1381	980547180	1469
1900	980546190	1432	980547190	1526

## 055

### WALL TABLE WITH CABINET, HINGED DOORS H=850 MM

- a partition dividing small and large sections of the cabinet
- adjustable shelf height in the large chamber
- optional lock



Width W (mm)	Depth D=600 (mm)		Depth D=700 (mm)	
	Cat. No.	Price net (€)	Cat. No.	Price net (€)
1200	980556120	1078	980557120	1150
1300	980556130	1133	980557130	1199
1400	980556140	1183	980557140	1254
1500	980556150	1232	980557150	1309
1600	980556160	1282	980557160	1359
1700	980556170	1331	980557170	1414
1800	980556180	1381	980557180	1469
1900	980556190	1432	980557190	1526

## 056

### WALL TABLE WITH CABINET, SLIDING DOORS H=850 MM

- hinged doors on the left
- a partition dividing small and large sections of the cabinet
- adjustable shelf height in the large chamber
- optional lock



Width W (mm)	Depth D=600 (mm)		Depth D=700 (mm)	
	Cat. No.	Price net (€)	Cat. No.	Price net (€)
1200	980566120	1139	980567120	1221
1300	980566130	1183	980567130	1265
1400	980566140	1227	980567140	1309
1500	980566150	1265	980567150	1359
1600	980566160	1309	980567160	1403
1700	980566170	1353	980567170	1447
1800	980566180	1397	980567180	1496
1900	980566190	1442	980567190	1546

## 057

### WALL TABLE WITH CABINET, SLIDING DOORS H=850 MM

- hinged doors on the right
- a partition dividing small and large sections of the cabinet
- adjustable shelf height in the large chamber
- optional lock



Width W (mm)	Depth D=600 (mm)		Depth D=700 (mm)	
	Cat. No.	Price net (€)	Cat. No.	Price net (€)
1200	980576120	1139	980577120	1221
1300	980576130	1183	980577130	1265
1400	980576140	1227	980577140	1309
1500	980576150	1265	980577150	1359
1600	980576160	1309	980577160	1403
1700	980576170	1353	980577170	1447
1800	980576180	1397	980577180	1496
1900	980576190	1442	980577190	1546

**058**

**WALL TABLE WITH POLYETHYLENE BOARD  
H=850 MM**

- welded table
- depth of the top 300 mm



Width W (mm)	Depth D=600 (mm)		Depth D=700 (mm)	
	Cat. No.	Price net (€)	Cat. No.	Price net (€)
800	980586080	393	980587080	407
900	980586090	418	980587090	438
1000	980586100	449	980587100	465
1100	980586110	477	980587110	494
1200	980586120	499	980587120	521
1300	980586130	527	980587130	555
1400	980586140	561	980587140	583
1500	980586150	586	980587150	611
1600	980586160	611	980587160	638
1700	980586170	638	980587170	671
1800	980586180	671	980587180	700
1900	980586190	707	980587190	733

**059**

**WALL TABLE WITH POLYETHYLENE BOARD AND SHELF  
H=850 MM**

- welded table
- depth of the top 300 mm



Width W (mm)	Depth D=600 (mm)		Depth D=700 (mm)	
	Cat. No.	Price net (€)	Cat. No.	Price net (€)
800	980596080	435	980597080	450
900	980596090	455	980597090	470
1000	980596100	480	980597100	495
1100	980596110	500	980597110	520
1200	980596120	525	980597120	540
1300	980596130	552	980597130	580
1400	980596140	593	980597140	627
1500	980596150	657	980597150	689
1600	980596160	705	980597160	746
1700	980596170	738	980597170	776
1800	980596180	771	980597180	818
1900	980596190	810	980597190	849

**060**

**CENTRAL TABLE WITH POLYETHYLENE BOARDS  
H=850 MM**

- welded table
- depth of the top 300 mm



Width W (mm)	Depth D=1200 (mm)		Depth D=1400 (mm)	
	Cat. No.	Price net (€)	Cat. No.	Price net (€)
1000	980602100	891	980604100	942
1100	980602110	942	980604110	1000
1200	980602120	1000	980604120	1059
1300	980602130	1056	980604130	1118
1400	980602140	1108	980604140	1171
1500	980602150	1161	980604150	1232
1600	980602160	1218	980604160	1288
1700	980602170	1268	980604170	1347
1800	980602180	1326	980604180	1400
1900	980602190	1382	980604190	1455

**061**

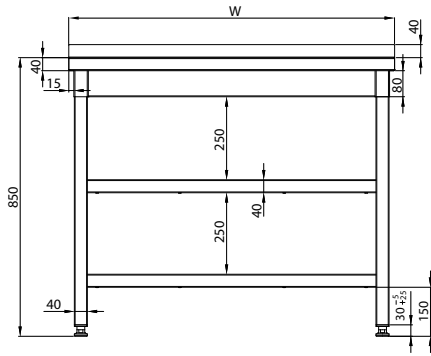
**WALL TABLE WITH A TILTING BASKET  
H=850 MM**

- waste bin with a stopper

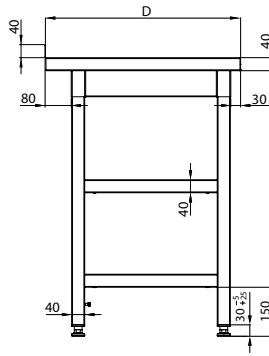


Width W (mm)	Depth D=600 (mm)		Depth D=700 (mm)	
	Cat. No.	Price net (€)	Cat. No.	Price net (€)
450	980616045	450	980617045	470

WALL TABLE

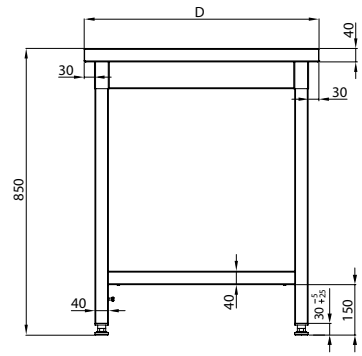


Front view



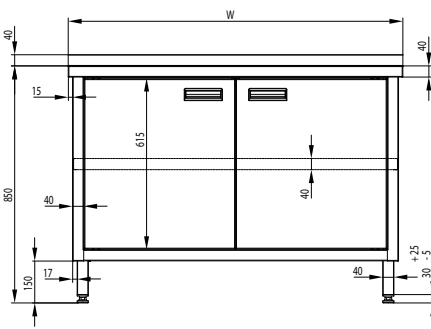
Side view

CENTRAL TABLE

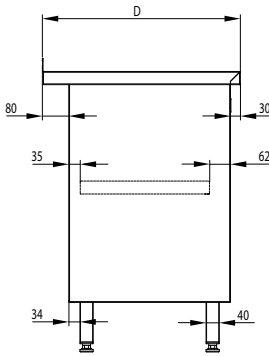


Side view

WALL TABLE WITH HINGED DOORS

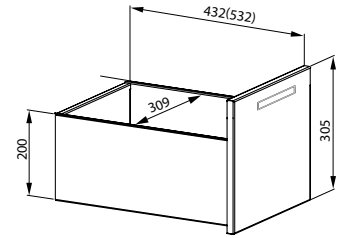


Front view



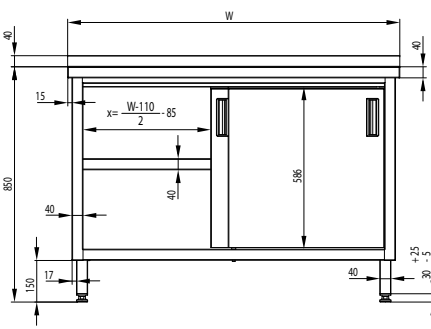
Side view

DRAWER DIMENSIONS IN A 2-DRAWER UNIT

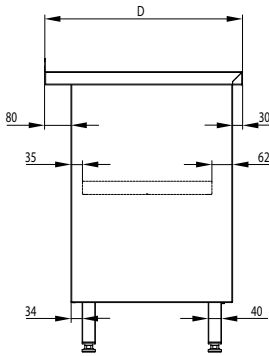


Side view

WALL TABLE WITH SLIDING DOORS

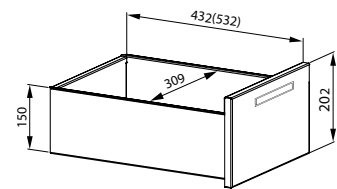


Front view



Side view

DRAWER DIMENSIONS IN A 3-DRAWER UNIT



Side view



# Sink units



02

## 02 Sink units

**380**

### SINGLE SINK UNIT WITHOUT SHELF H=850 MM

- recessed tabletop
- flat upstand h=40 mm
- screw-joined table for self-assembly
- legs joined using screws
- furniture shipped disassembled
- ø=33 mm tap hole in the middle of the compartment
- available tabletop depths: 600 mm or 700 mm
- table with D=600, with a sink 400x400x250 mm
- table with D=700, with a sink 500x500x250 mm  
excluded 983807060, where sink is 400x400x250 mm



Width W (mm)	Depth D=600 (mm)		Depth D=700 (mm)	
	Cat. No.	Price net (€)	Cat. No.	Price net (€)
600	<b>983806060</b>	<b>472</b>	<b>983807060</b>	<b>487</b>
700	-	-	<b>983807070</b>	<b>511</b>

**381**

### SINGLE SINK UNIT WITHOUT SHELF H=850 MM

- recessed tabletop
- flat upstand h=40 mm
- screw-joined table for self-assembly
- legs joined using screws
- furniture shipped disassembled
- ø=33 mm tap hole in the middle of the compartment
- available tabletop depths: 600 mm or 700 mm
- table with D=600, with a sink 400x400x250 mm
- table with D=700, with a sink 500x500x250 mm



Width W (mm)	Depth D=600 (mm)		Depth D=700 (mm)	
	Cat. No.	Price net (€)	Cat. No.	Price net (€)
800	<b>983816080</b>	<b>513</b>	<b>983817080</b>	<b>528</b>
900	<b>983816090</b>	<b>534</b>	<b>983817090</b>	<b>552</b>
1000	<b>983816100</b>	<b>548</b>	<b>983817100</b>	<b>574</b>
1100	<b>983816110</b>	<b>572</b>	<b>983817110</b>	<b>598</b>
1200	<b>983816120</b>	<b>592</b>	<b>983817120</b>	<b>616</b>
1300	<b>983816130</b>	<b>613</b>	<b>983817130</b>	<b>639</b>
1400	<b>983816140</b>	<b>631</b>	<b>983817140</b>	<b>663</b>

 - flat drainer

**383**

### SINGLE SINK UNIT WITHOUT SHELF H=850 MM

- recessed tabletop
- flat upstand h=40 mm
- screw-joined table for self-assembly
- legs joined using screws
- furniture shipped disassembled
- ø=33 mm tap hole in the middle of the compartment
- available tabletop depths: 600 mm or 700 mm
- table with D=600, with a sink 400x400x250 mm
- table with D=700, with a sink 500x500x250 mm



Width W (mm)	Depth D=600 (mm)		Depth D=700 (mm)	
	Cat. No.	Price net (€)	Cat. No.	Price net (€)
800	<b>983836080</b>	<b>513</b>	<b>983837080</b>	<b>528</b>
900	<b>983836090</b>	<b>534</b>	<b>983837090</b>	<b>552</b>
1000	<b>983836100</b>	<b>548</b>	<b>983837100</b>	<b>574</b>
1100	<b>983836110</b>	<b>572</b>	<b>983837110</b>	<b>598</b>
1200	<b>983836120</b>	<b>592</b>	<b>983837120</b>	<b>616</b>
1300	<b>983836130</b>	<b>613</b>	<b>983837130</b>	<b>639</b>
1400	<b>983836140</b>	<b>631</b>	<b>983837140</b>	<b>663</b>

 - flat drainer

313

**SINGLE SINK UNIT WITH SHELF**  
**H=850 MM**

- recessed tabletop
- flat upstand h=40 mm
- screw-joined table for self-assembly
- legs joined using screws
- furniture shipped disassembled
- $\phi=33$  mm tap hole in the middle of the compartment
- available tabletop depths: 600 mm or 700 mm
- table with D=600, with a sink 400x400x250 mm
- table with D=700, with a sink 500x500x250 mm
- excluded model 983137060, where sink is 400x400x250 mm



Width W (mm)	Depth D=600 (mm)		Depth D=700 (mm)	
	Cat. No.	Price net (€)	Cat. No.	Price net (€)
600	<b>983136060</b>	<b>505</b>	<b>983137060</b>	<b>522</b>
700	-	-	<b>983137070</b>	<b>548</b>

314

**SINGLE SINK UNIT WITH SHELF**  
**H=850 MM**

- recessed tabletop
- flat upstand h=40 mm
- screw-joined table for self-assembly
- legs joined using screws
- furniture shipped disassembled
- $\phi=33$  mm tap hole in the middle of the compartment
- available tabletop depths: 600 mm or 700 mm
- table with D=600, with a sink 400x400x250 mm
- table with D=700, with a sink 500x500x250 mm



Width W (mm)	Depth D=600 (mm)		Depth D=700 (mm)	
	Cat. No.	Price net (€)	Cat. No.	Price net (€)
800	<b>983146080</b>	<b>552</b>	<b>983147080</b>	<b>584</b>
900	<b>983146090</b>	<b>578</b>	<b>983147090</b>	<b>610</b>
1000	<b>983146100</b>	<b>604</b>	<b>983147100</b>	<b>637</b>
1100	<b>983146110</b>	<b>631</b>	<b>983147110</b>	<b>666</b>
1200	<b>983146120</b>	<b>651</b>	<b>983147120</b>	<b>690</b>
1300	<b>983146130</b>	<b>680</b>	<b>983147130</b>	<b>718</b>
1400	<b>983146140</b>	<b>706</b>	<b>983147140</b>	<b>745</b>

 - flat drainer

315

**SINGLE SINK UNIT WITH SHELF**  
**H=850 MM**

- recessed tabletop
- flat upstand h=40 mm
- screw-joined table for self-assembly
- legs joined using screws
- furniture shipped disassembled
- $\phi=33$  mm tap hole in the middle of the compartment
- available tabletop depths: 600 mm or 700 mm
- table with D=600, with a sink 400x400x250 mm
- table with D=700, with a sink 500x500x250 mm



Width W (mm)	Depth D=600 (mm)		Depth D=700 (mm)	
	Cat. No.	Price net (€)	Cat. No.	Price net (€)
800	<b>983156080</b>	<b>552</b>	<b>983157080</b>	<b>584</b>
900	<b>983156090</b>	<b>578</b>	<b>983157090</b>	<b>610</b>
1000	<b>983156100</b>	<b>604</b>	<b>983157100</b>	<b>637</b>
1100	<b>983156110</b>	<b>631</b>	<b>983157110</b>	<b>666</b>
1200	<b>983156120</b>	<b>651</b>	<b>983157120</b>	<b>690</b>
1300	<b>983156130</b>	<b>680</b>	<b>983157130</b>	<b>718</b>
1400	<b>983156140</b>	<b>706</b>	<b>983157140</b>	<b>745</b>

 - flat drainer

## 02 Sink units

**385**

### SINGLE SINK UNIT, HINGED DOOR H=850 MM

- recessed tabletop
- flat upstand h=40 mm
- ø=33 mm tap hole in the middle of the compartment
- available tabletop depths: 600 mm or 700 mm
- the table has 400x400x250 mm compartments
- door hinged on the left
- optional lock assembly possible
- the cabinet is without the back wall



Width W (mm)	Depth D=600 (mm)		Depth D=700 (mm)	
	Cat. No.	Price net (€)	Cat. No.	Price net (€)
500	<b>983856050</b>	<b>684</b>	<b>983857050</b>	<b>716</b>
600	<b>983856060</b>	<b>736</b>	<b>983857060</b>	<b>765</b>

**386**

### SINGLE SINK UNIT, HINGED DOORS H=850 MM

- recessed tabletop
- flat upstand h=40 mm
- ø=33 mm tap hole in the middle of the compartment
- available tabletop depths: 600 mm or 700 mm
- table with D=600, with a sink 400x400x250 mm
- table with D=700, with a sink 500x500x250 mm
- models 983866140, 983867140 with triple hinged doors
- optional lock assembly possible
- the cabinet is without the back wall



Width W (mm)	Depth D=600 (mm)		Depth D=700 (mm)	
	Cat. No.	Price net (€)	Cat. No.	Price net (€)
800	<b>983866080</b>	<b>818</b>	<b>983867080</b>	<b>862</b>
900	<b>983866090</b>	<b>862</b>	<b>983867090</b>	<b>903</b>
1000	<b>983866100</b>	<b>901</b>	<b>983867100</b>	<b>942</b>
1100	<b>983866110</b>	<b>942</b>	<b>983867110</b>	<b>988</b>
1200	<b>983866120</b>	<b>986</b>	<b>983867120</b>	<b>1029</b>
1300	<b>983866130</b>	<b>1024</b>	<b>983867130</b>	<b>1071</b>
1400	<b>983866140</b>	<b>1059</b>	<b>983867140</b>	<b>1114</b>

 - flat drainer

**387**

### SINGLE SINK UNIT, HINGED DOORS H=850 MM

- recessed tabletop
- flat upstand h=40 mm
- ø=33 mm tap hole in the middle of the compartment
- available tabletop depths: 600 mm or 700 mm
- table with D=600, with a sink 400x400x250 mm
- table with D=700, with a sink 500x500x250 mm
- models 983876140, 983877140 with triple hinged doors
- optional lock assembly possible
- the cabinet is without the back wall



Width W (mm)	Depth D=600 (mm)		Depth D=700 (mm)	
	Cat. No.	Price net (€)	Cat. No.	Price net (€)
800	<b>983876080</b>	<b>818</b>	<b>983877080</b>	<b>862</b>
900	<b>983876090</b>	<b>862</b>	<b>983877090</b>	<b>903</b>
1000	<b>983876100</b>	<b>901</b>	<b>983877100</b>	<b>942</b>
1100	<b>983876110</b>	<b>942</b>	<b>983877110</b>	<b>988</b>
1200	<b>983876120</b>	<b>986</b>	<b>983877120</b>	<b>1029</b>
1300	<b>983876130</b>	<b>1024</b>	<b>983877130</b>	<b>1071</b>
1400	<b>983876140</b>	<b>1059</b>	<b>983877140</b>	<b>1114</b>

 - flat drainer

**388****SINGLE SINK UNIT, SLIDING DOORS  
H=850 MM**

- recessed tabletop
- flat upstand h=40 mm
- $\varnothing=33$  mm tap hole on the left of the compartment
- available tabletop depths: 600 mm or 700 mm
- table with D=600, with a sink 400x400x250 mm
- table with D=700, with a sink 500x500x250 mm
- optional lock assembly possible
- the cabinet is without the back wall



Width W (mm)	Depth D=600 (mm)		Depth D=700 (mm)	
	Cat. No.	Price net (€)	Cat. No.	Price net (€)
800	<b>983886080</b>	<b>848</b>	<b>983887080</b>	<b>897</b>
900	<b>983886090</b>	<b>880</b>	<b>983887090</b>	<b>933</b>
1000	<b>983886100</b>	<b>909</b>	<b>983887100</b>	<b>968</b>
1100	<b>983886110</b>	<b>942</b>	<b>983887110</b>	<b>1000</b>
1200	<b>983886120</b>	<b>974</b>	<b>983887120</b>	<b>1033</b>
1300	<b>983886130</b>	<b>1006</b>	<b>983887130</b>	<b>1068</b>
1400	<b>983886140</b>	<b>1035</b>	<b>983887140</b>	<b>1104</b>

 - flat drainer
**389****SINGLE SINK UNIT, SLIDING DOORS  
H=850 MM**

- recessed tabletop
- flat upstand h=40 mm
- $\varnothing=33$  mm tap hole on the right of the compartment
- available tabletop depths: 600 mm or 700 mm
- table with D=600, with a sink 400x400x250 mm
- table with D=700, with a sink 500x500x250 mm
- optional lock assembly possible
- the cabinet is without the back wall



Width W (mm)	Depth D=600 (mm)		Depth D=700 (mm)	
	Cat. No.	Price net (€)	Cat. No.	Price net (€)
800	<b>983896080</b>	<b>848</b>	<b>983897080</b>	<b>897</b>
900	<b>983896090</b>	<b>880</b>	<b>983897090</b>	<b>933</b>
1000	<b>983896100</b>	<b>909</b>	<b>983897100</b>	<b>968</b>
1100	<b>983896110</b>	<b>942</b>	<b>983897110</b>	<b>1000</b>
1200	<b>983896120</b>	<b>974</b>	<b>983897120</b>	<b>1033</b>
1300	<b>983896130</b>	<b>1006</b>	<b>983897130</b>	<b>1068</b>
1400	<b>983896140</b>	<b>1035</b>	<b>983897140</b>	<b>1104</b>

 - flat drainer

## 02 Sink units

**390**

### DOUBLE SINK UNIT WITHOUT SHELF H=850 MM

- recessed tabletop
- flat upstand h=40 mm
- screw-joined table for self-assembly
- legs joined using screws
- furniture shipped disassembled
- sinks placed centrally
- $\phi=33$  mm tap hole in the middle of the compartment
- available tabletop depths: 600 mm or 700 mm
- table with D=600, with sinks 400x400x250 mm
- table with D=700, with sinks 400x500x250 mm



Width W (mm)	Depth D=600 (mm)		Depth D=700 (mm)	
	Cat. No.	Price net (€)	Cat. No.	Price net (€)
1000	<b>983906100</b>	<b>666</b>	<b>983907100</b>	<b>686</b>

**391**

### DOUBLE SINK UNIT WITHOUT SHELF H=850 MM

- recessed tabletop
- flat upstand h=40 mm
- screw-joined table for self-assembly
- legs joined using screws
- furniture shipped disassembled
- $\phi=33$  mm tap hole in the middle of the compartment
- available tabletop depths: 600 mm or 700 mm
- table with D=600, with sinks 400x400x250 mm
- table with D=700, with sinks 500x500x250 mm excluded 983917110, where sinks are 400x500x250 mm



Width W (mm)	Depth D=600 (mm)		Depth D=700 (mm)	
	Cat. No.	Price net (€)	Cat. No.	Price net (€)
1100	<b>983916110</b>	<b>690</b>	<b>983917110</b>	<b>716</b>
1200	<b>983916120</b>	<b>710</b>	<b>983917120</b>	<b>736</b>
1300	<b>983916130</b>	<b>730</b>	<b>983917130</b>	<b>754</b>
1400	<b>983916140</b>	<b>748</b>	<b>983917140</b>	<b>775</b>

 - flat drainer

**393**

### DOUBLE SINK UNIT WITHOUT SHELF H=850 MM

- recessed tabletop
- flat upstand h=40 mm
- screw-joined table for self-assembly
- legs joined using screws
- furniture shipped disassembled
- $\phi=33$  mm tap hole in the middle of the compartment
- available tabletop depths: 600 mm or 700 mm
- table with D=600, with sinks 400x400x250 mm
- table with D=700, with sinks 500x500x250 mm excluded 983937110, where sinks are 400x500x250 mm



Width W (mm)	Depth D=600 (mm)		Depth D=700 (mm)	
	Cat. No.	Price net (€)	Cat. No.	Price net (€)
1100	<b>983936110</b>	<b>690</b>	<b>983937110</b>	<b>716</b>
1200	<b>983936120</b>	<b>710</b>	<b>983937120</b>	<b>736</b>
1300	<b>983936130</b>	<b>730</b>	<b>983937130</b>	<b>754</b>
1400	<b>983936140</b>	<b>748</b>	<b>983937140</b>	<b>775</b>

 - flat drainer

395

**DOUBLE SINK UNIT WITH SHELF  
H=850 MM**

- recessed tabletop
- flat upstand h=40 mm
- screw-joined table for self-assembly
- legs joined using screws
- furniture shipped disassembled
- sinks placed centrally
- $\varnothing=33$  mm tap hole in the middle of the compartment
- available tabletop depths: 600 mm or 700 mm
- table with D=600, with sinks 400x400x250 mm
- table with D=700, with sinks 400x500x250 mm



Width W (mm)	Depth D=600 (mm)		Depth D=700 (mm)	
	Cat. No.	Price net (€)	Cat. No.	Price net (€)
1000	<b>983956100</b>	<b>771</b>	<b>983957100</b>	<b>801</b>

316

**DOUBLE SINK UNIT WITH SHELF  
H=850 MM**

- recessed tabletop
- flat upstand h=40 mm
- screw-joined table for self-assembly
- legs joined using screws
- furniture shipped disassembled
- $\varnothing=33$  mm tap hole in the middle of the compartment
- available tabletop depths: 600 mm or 700 mm
- table with D=600, with sinks 400x400x250 mm
- table with D=700, with sinks 500x500x250 mm excluded 983167110, where sinks are 400x500x250 mm



Width W (mm)	Depth D=600 (mm)		Depth D=700 (mm)	
	Cat. No.	Price net (€)	Cat. No.	Price net (€)
1100	<b>983166110</b>	<b>795</b>	<b>983167110</b>	<b>836</b>
1200	<b>983166120</b>	<b>818</b>	<b>983167120</b>	<b>862</b>
1300	<b>983166130</b>	<b>848</b>	<b>983167130</b>	<b>891</b>
1400	<b>983166140</b>	<b>874</b>	<b>983167140</b>	<b>915</b>

 flat drainer

317

**DOUBLE SINK UNIT WITH SHELF  
H=850 MM**

- recessed tabletop
- flat upstand h=40 mm
- screw-joined table for self-assembly
- legs joined using screws
- furniture shipped disassembled
- $\varnothing=33$  mm tap hole in the middle of the compartment
- available tabletop depths: 600 mm or 700 mm
- table with D=600, with sinks 400x400x250 mm
- table with D=700, with sinks 500x500x250 mm excluded 983177110, where sinks are 400x500x250 mm



Width W (mm)	Depth D=600 (mm)		Depth D=700 (mm)	
	Cat. No.	Price net (€)	Cat. No.	Price net (€)
1100	<b>983176110</b>	<b>795</b>	<b>983177110</b>	<b>836</b>
1200	<b>983176120</b>	<b>818</b>	<b>983177120</b>	<b>862</b>
1300	<b>983176130</b>	<b>848</b>	<b>983177130</b>	<b>891</b>
1400	<b>983176140</b>	<b>874</b>	<b>983177140</b>	<b>915</b>

 flat drainer

## 02 Sink units

**396**

### DOUBLE SINK UNIT, HINGED DOORS H=850 MM

- recessed tabletop
- flat upstand h=40 mm
- $\varnothing=33$  mm tap hole in the middle of the compartment
- available tabletop depths: 600 mm or 700 mm
- table with D=600, with sinks 400x400x250 mm
- table with D=700, with sinks 400x500x250 mm
- optional lock assembly possible
- the cabinet is without the back wall



Width W (mm)	Depth D=600 (mm)		Depth D=700 (mm)	
	Cat. No.	Price net (€)	Cat. No.	Price net (€)
1000	<b>983966100</b>	<b>1045</b>	<b>983967100</b>	<b>1092</b>


**397**

### DOUBLE SINK UNIT, HINGED DOORS H=850 MM

- recessed tabletop
- flat upstand h=40 mm
- $\varnothing=33$  mm tap hole in the middle of the compartment
- available tabletop depths: 600 mm or 700 mm
- table with D=600, with sinks 400x400x250 mm
- table with D=700, with sinks 500x500x250 mm
- excluded 983977110, where sinks are 400x500x250 mm
- models 983976140, 983977140 with triple hinged doors
- optional lock assembly possible
- the cabinet is without the back wall



Width W (mm)	Depth D=600 (mm)		Depth D=700 (mm)	
	Cat. No.	Price net (€)	Cat. No.	Price net (€)
1100	<b>983976110</b>	<b>1094</b>	<b>983977110</b>	<b>1130</b>
1200	<b>983976120</b>	<b>1130</b>	<b>983977120</b>	<b>1171</b>
1300	<b>983976130</b>	<b>1167</b>	<b>983977130</b>	<b>1218</b>
1400	<b>983976140</b>	<b>1203</b>	<b>983977140</b>	<b>1130</b>

 - flat drainer


**398**

### DOUBLE SINK UNIT, HINGED DOORS H=850 MM

- recessed tabletop
- flat upstand h=40 mm
- $\varnothing=33$  mm tap hole in the middle of the compartment
- available tabletop depths: 600 mm or 700 mm
- table with D=600, with a sink 400x400x250 mm
- table with D=700, with a sink 500x500x250 mm, excluded 983987110, where sinks are 400x500x250 mm
- models 983986140, 983987140 with triple hinged doors
- optional lock assembly possible
- the cabinet is without the back wall



Width W (mm)	Depth D=600 (mm)		Depth D=700 (mm)	
	Cat. No.	Price net (€)	Cat. No.	Price net (€)
1100	<b>983986110</b>	<b>1094</b>	<b>983987110</b>	<b>1130</b>
1200	<b>983986120</b>	<b>1258</b>	<b>983987120</b>	<b>1171</b>
1300	<b>983986130</b>	<b>1167</b>	<b>983987130</b>	<b>1218</b>
1400	<b>983986140</b>	<b>1203</b>	<b>983987140</b>	<b>1258</b>

 - flat drainer



399

### DOUBLE SINK UNIT, SLIDING DOORS H=850 MM

- recessed tabletop
- flat upstand h=40 mm
- $\varnothing=33$  mm tap hole in the middle of the compartment
- available tabletop depths: 600 mm or 700 mm
- table with D=600, with sinks 400x400x250 mm
- table with D=700, with sinks 400x500x250 mm
- optional lock assembly possible
- the cabinet is without the back wall



Width W (mm)	Depth D=600 (mm)		Depth D=700 (mm)	
	Cat. No.	Price net (€)	Cat. No.	Price net (€)
1000	<b>983996100</b>	<b>1098</b>	<b>983997100</b>	<b>1156</b>

400

### DOUBLE SINK UNIT, SLIDING DOORS H=850 MM

- recessed tabletop
- flat upstand h=40 mm
- $\varnothing=33$  mm tap hole in the middle of the compartment
- available tabletop depths: 600 mm or 700 mm
- table with D=600, with sinks 400x400x250 mm
- table with D=700, with sinks 500x500x250 mm, excluded 984007110, where sinks are 400x500x250 mm
- optional lock assembly possible
- the cabinet is without the back wall



Width W (mm)	Depth D=600 (mm)		Depth D=700 (mm)	
	Cat. No.	Price net (€)	Cat. No.	Price net (€)
1100	<b>984006110</b>	<b>1132</b>	<b>984007110</b>	<b>1191</b>
1200	<b>984006120</b>	<b>1161</b>	<b>984007120</b>	<b>1224</b>
1300	<b>984006130</b>	<b>1194</b>	<b>984007130</b>	<b>1258</b>
1400	<b>984006140</b>	<b>1224</b>	<b>984007140</b>	<b>1291</b>

 flat drainer

401

### DOUBLE SINK UNIT, SLIDING DOORS H=850 MM

- recessed tabletop
- flat upstand h=40 mm
- $\varnothing=33$  mm tap hole in the middle of the compartment
- available tabletop depths: 600 mm or 700 mm
- table with D=600, with sinks 400x400x250 mm
- table with D=700, with sinks 500x500x250 mm, excluded 984017110, where sinks are 400x500x250 mm
- optional lock assembly possible
- the cabinet is without the back wall



Width W (mm)	Depth D=600 (mm)		Depth D=700 (mm)	
	Cat. No.	Price net (€)	Cat. No.	Price net (€)
1100	<b>984016110</b>	<b>1132</b>	<b>984017110</b>	<b>1191</b>
1200	<b>984016120</b>	<b>1161</b>	<b>984017120</b>	<b>1224</b>
1300	<b>984016130</b>	<b>1194</b>	<b>984017130</b>	<b>1258</b>
1400	<b>984016140</b>	<b>1224</b>	<b>984017140</b>	<b>1291</b>

 flat drainer

## 02 Sink units

**440**

### SINGLE SINK UNIT WITHOUT SHELF H=850 MM

- box edge 100x15 mm
- recessed tabletop
- screw-joined table for self-assembly
- legs joined using screws
- furniture shipped disassembled
- available tabletop depths: 600 mm or 700 mm
- table with D=600, with a sink 400x400x250 mm
- table with D=700, with a sink 500x500x250 mm, excluded 984407060, where sink is 400x400x250 mm



Width W (mm)	Depth D=600 (mm)		Depth D=700 (mm)	
	Cat. No.	Price net (€)	Cat. No.	Price net (€)
600	<b>984406060</b>	<b>435</b>	<b>984407060</b>	<b>463</b>
700	-	-	<b>984407070</b>	<b>495</b>

**441**

### SINGLE SINK UNIT WITHOUT SHELF H=850 MM

- box edge 100x15 mm
- recessed tabletop
- screw-joined table for self-assembly
- legs joined using screws
- furniture shipped disassembled
- ø=33 mm tap hole in the middle of the compartment
- available tabletop depths: 600 mm or 700 mm
- table with D=600, with a sink 400x400x250 mm
- table with D=700, with a sink 500x500x250 mm



Width W (mm)	Depth D=600 (mm)		Depth D=700 (mm)	
	Cat. No.	Price net (€)	Cat. No.	Price net (€)
700	<b>984416070</b>	<b>481</b>	-	-
800	<b>984416080</b>	<b>495</b>	<b>984417080</b>	<b>513</b>
900	<b>984416090</b>	<b>516</b>	<b>984417090</b>	<b>537</b>
1000	<b>984416100</b>	<b>526</b>	<b>984417100</b>	<b>550</b>
1100	<b>984416110</b>	<b>537</b>	<b>984417110</b>	<b>563</b>
1200	<b>984416120</b>	<b>548</b>	<b>984417120</b>	<b>577</b>
1300	<b>984416130</b>	<b>573</b>	<b>984417130</b>	<b>604</b>
1400	<b>984416140</b>	<b>603</b>	<b>984417140</b>	<b>632</b>

   - flat drainer

**442**

### SINGLE SINK UNIT WITHOUT SHELF H=850 MM

- box edge 100x15 mm
- welded
- ø=33 mm tap hole in the middle of the compartment
- table with D=600, with a sink 400x400x250 mm
- table with D=700, with a sink 500x500x250 mm



Width W (mm)	Depth D=600 (mm)		Depth D=700 (mm)	
	Cat. No.	Price net (€)	Cat. No.	Price net (€)
1500	<b>984426150</b>	<b>633</b>	<b>984427150</b>	<b>663</b>
1600	<b>984426160</b>	<b>646</b>	<b>984427160</b>	<b>676</b>
1700	<b>984426170</b>	<b>669</b>	<b>984427170</b>	<b>702</b>
1800	<b>984426180</b>	<b>700</b>	<b>984427180</b>	<b>712</b>
1900	<b>984426190</b>	<b>710</b>	<b>984427190</b>	<b>745</b>

443

**SINGLE SINK UNIT WITHOUT SHELF**  
**H=850 MM**

- box edge 100x15 mm
- recessed tabletop
- screw-joined table for self-assembly
- legs joined using screws
- furniture shipped disassembled
- $\varnothing=33$  mm tap hole in the middle of the compartment
- available tabletop depths: 600 mm or 700 mm
- table with D=600, with a sink 400x400x250 mm
- table with D=700, with a sink 500x500x250 mm



Width W (mm)	Depth D=600 (mm)		Depth D=700 (mm)	
	Cat. No.	Price net (€)	Cat. No.	Price net (€)
700	984436070	481	-	-
800	984436080	495	984437080	513
900	984436090	516	984437090	537
1000	984436100	526	984437100	550
1100	984436110	537	984437110	563
1200	984436120	548	984437120	577
1300	984436130	573	984437130	604
1400	984436140	603	984437140	632

 flat drainer

444

**SINGLE SINK UNIT WITHOUT SHELF**  
**H=850 MM**

- welded
- box edge 100x15 mm
- $\varnothing=33$  mm tap hole in the middle of the compartment
- table with D=600, with a sink 400x400x250 mm
- table with D=700, with a sink 500x500x250 mm



Width W (mm)	Depth D=600 (mm)		Depth D=700 (mm)	
	Cat. No.	Price net (€)	Cat. No.	Price net (€)
1500	984446150	633	984447150	663
1600	984446160	646	984447160	676
1700	984446170	669	984447170	702
1800	984446180	700	984447180	712
1900	984446190	710	984447190	745

445

**SINGLE SINK UNIT WITH SHELF**  
**H=850 MM**

- box edge 100x15 mm
- recessed tabletop
- screw-joined table for self-assembly
- legs joined using screws
- furniture shipped disassembled
- $\varnothing=33$  mm tap hole in the middle of the compartment
- available tabletop depths: 600 mm or 700 mm
- table with D=600, with a sink 400x400x250 mm
- table with D=700, with a sink 500x500x250 mm, excluded 984457060, where sink is 400x400x250 mm



Width W (mm)	Depth D=600 (mm)		Depth D=700 (mm)	
	Cat. No.	Price net (€)	Cat. No.	Price net (€)
600	984456060	460	984457060	491
700	-	-	984457070	527

## 02 Sink units

446

### SINGLE SINK UNIT WITH SHELF H=850 MM

- box edge 100x15 mm
- screw-joined table for self-assembly
- legs joined using screws
- furniture shipped disassembled
- $\phi=33$  mm tap hole in the middle of the compartment
- available tabletop depths: 600 mm or 700 mm
- table with D=600, with a sink 400x400x250 mm
- table with D=700, with a sink 500x500x250 mm



Width W (mm)	Depth D=600 (mm)		Depth D=700 (mm)	
	Cat. No.	Price net (€)	Cat. No.	Price net (€)
700	984466070	513	-	-
800	984466080	537	984467080	568
900	984466090	560	984467090	590
1000	984466100	565	984467100	596
1100	984466110	580	984467110	616
1200	984466120	595	984467120	635
1300	984466130	628	984467130	667
1400	984466140	661	984467140	698
1500	984466150	685	984467150	724
1600	984466160	709	984467160	749
1700	984466170	739	984467170	774
1800	984466180	772	984467180	799
1900	984466190	801	984467190	856

 flat drainer

447

### SINGLE SINK UNIT WITH SHELF H=850 MM

- box edge 100x15 mm
- recessed tabletop
- screw-joined table for self-assembly
- legs joined using screws
- furniture shipped disassembled
- $\phi=33$  mm tap hole in the middle of the compartment
- available tabletop depths: 600 mm or 700 mm
- table with D=600, with a sink 400x400x250 mm
- table with D=700, with a sink 500x500x250 mm



Width W (mm)	Depth D=600 (mm)		Depth D=700 (mm)	
	Cat. No.	Price net (€)	Cat. No.	Price net (€)
700	984476070	513	-	-
800	984476080	537	984477080	568
900	984476090	560	984477090	590
1000	984476100	565	984477100	596
1100	984476110	580	984477110	616
1200	984476120	595	984477120	635
1300	984476130	628	984477130	667
1400	984476140	661	984477140	698
1500	984476150	685	984477150	724
1600	984476160	709	984477160	749
1700	984476170	739	984477170	774
1800	984476180	772	984477180	799
1900	984476190	801	984477190	856

 flat drainer

448

### SINGLE SINK UNIT, HINGED DOORS H=850 MM

- box edge 100x15 mm
- recessed tabletop
- $\phi=33$  mm tap hole in the middle of the compartment
- available tabletop depths: 600 mm or 700 mm
- the table has 400x400x250 mm compartments
- door hinged on the left
- optional lock assembly possible
- the cabinet is without the back wall



Width W (mm)	Depth D=600 (mm)		Depth D=700 (mm)	
	Cat. No.	Price net (€)	Cat. No.	Price net (€)
500	984486050	666	984487050	696
600	984486060	672	984487060	727

449

**SINGLE SINK UNIT, HINGED DOORS**  
**H=850 MM**

- box edge 100x15 mm
- recessed tabletop
- $\varnothing=33$  mm tap hole in the middle of the compartment
- available tabletop depths: 600 mm or 700 mm
- table with D=600, with a sink 400x400x250 mm
- table with D=700, with a sink 500x500x250 mm
- models 984496140, 984497140 with triple hinged doors
- optional lock assembly possible
- the cabinet is without the back wall



Width W (mm)	Depth D=600 (mm)		Depth D=700 (mm)	
	Cat. No.	Price net (€)	Cat. No.	Price net (€)
700	984496070	754	984497070	798
800	984496080	795	984497080	836
900	984496090	836	984497090	877
1000	984496100	848	984497100	906
1100	984496110	876	984497110	942
1200	984496120	904	984497120	978
1300	984496130	961	984497130	1034
1400	984496140	1018	984497140	1089
1500	984496150	1062	984497150	1137

 - flat drainer

450

**SINGLE SINK UNIT, HINGED DOORS**  
**H=850 MM**

- box edge 100x15 mm
- recessed tabletop
- $\varnothing=33$  mm tap hole in the middle of the compartment
- available tabletop depths: 600 mm or 700 mm
- table with D=600, with a sink 400x400x250 mm
- table with D=700, with a sink 500x500x250 mm
- models 983876140, 983877140 with triple hinged doors
- optional lock assembly possible
- the cabinet is without the back wall



Width W (mm)	Depth D=600 (mm)		Depth D=700 (mm)	
	Cat. No.	Price net (€)	Cat. No.	Price net (€)
700	984506070	754	984507070	798
800	984506080	795	984507080	836
900	984506090	836	984507090	877
1000	984506100	848	984507100	906
1100	984506110	876	984507110	942
1200	984506120	904	984507120	978
1300	984506130	961	984507130	1034
1400	984506140	1018	984507140	1089
1500	984506150	1062	984507150	1137

 - flat drainer

451

**SINGLE SINK UNIT, SLIDING DOOR**  
**H=850 MM**

- box edge 100x15 mm
- recessed tabletop
- $\varnothing=33$  mm tap hole in the left of the compartment
- available tabletop depths: 600 mm or 700 mm
- table with D=600, with a sink 400x400x250 mm
- table with D=700, with a sink 500x500x250 mm
- optional lock assembly possible
- the cabinet is without the back wall



Width W (mm)	Depth D=600 (mm)		Depth D=700 (mm)	
	Cat. No.	Price net (€)	Cat. No.	Price net (€)
800	984516080	824	984517080	871
900	984516090	856	984517090	903
1000	984516100	848	984517100	912
1100	984516110	876	984517110	949
1200	984516120	904	984517120	984
1300	984516130	961	984517130	1034
1400	984516140	1011	984517140	1089
1500	984516150	1055	984517150	1129
1600	984516160	1099	984517160	1176
1700	984516170	1145	984517170	1215
1800	984516180	1204	984517180	1262
1900	984516190	1153	984517190	1232

 - flat drainer

## 02 Sink units

452

### SINGLE SINK UNIT, SLIDING DOOR H=850 MM

- box edge 100x15 mm
- recessed tabletop
- $\phi=33$  mm tap hole on the right of the compartment
- available tabletop depths: 600 mm or 700 mm
- table with D=600, with a sink 400x400x250 mm
- table with D=700, with a sink 500x500x250 mm
- optional lock assembly possible
- the cabinet is without the back wall



Width W (mm)	Depth D=600 (mm)		Depth D=700 (mm)	
	Cat. No.	Price net (€)	Cat. No.	Price net (€)
800	984526080	824	984527080	871
900	984526090	856	984527090	903
1000	984526100	848	984527100	912
1100	984526110	876	984527110	949
1200	984526120	904	984527120	984
1300	984526130	961	984527130	1034
1400	984526140	1011	984527140	1089
1500	984526150	1055	984527150	1129
1600	984526160	1099	984527160	1176
1700	984526170	1145	984527170	1215
1800	984526180	1204	984527180	1262
1900	984526190	1153	984527190	1232

 - flat drainer

453

### DOUBLE SINK UNIT WITHOUT SHELF H=850 MM

- box edge 100x15 mm
- recessed tabletop
- screw-joined table for self-assembly
- legs joined using screws
- furniture shipped disassembled
- sinks placed centrally
- $\phi=33$  mm tap hole in the middle of the compartment
- available tabletop depths: 600 mm or 700 mm
- table with D=600, with sinks 400x400x250 mm
- table with D=700, with sinks 400x500x250 mm



Width W (mm)	Depth D=600 (mm)		Depth D=700 (mm)	
	Cat. No.	Price net (€)	Cat. No.	Price net (€)
1000	984536100	797	984537100	830

454

### DOUBLE SINK UNIT WITHOUT SHELF H=850 MM

- box edge 100x15 mm
- recessed tabletop
- screw-joined table for self-assembly
- legs joined using screws
- furniture shipped disassembled
- $\phi=33$  mm tap hole in the middle of the compartment
- available tabletop depths: 600 mm or 700 mm
- table with D=600, with sinks 400x400x250 mm
- table with D=700, with sinks 500x500x250 mm, excluded 984547110, where sinks are 400x500x250 mm



Width W (mm)	Depth D=600 (mm)		Depth D=700 (mm)	
	Cat. No.	Price net (€)	Cat. No.	Price net (€)
1100	984546110	672	984547110	696
1200	984546120	686	984547120	712
1300	984546130	706	984547130	733
1400	984546140	728	984547140	751

 - flat drainer

455

**DOUBLE SINK UNIT WITHOUT SHELF**  
**H=850 MM**

- box edge 100x15 mm
- welded
- recessed tabletop
- $\phi=33$  mm tap hole in the middle of the compartment
- available tabletop depths: 600 mm or 700 mm
- table with D=600, with sinks 400x400x250 mm
- table with D=700, with sinks 500x500x250 mm



Width W (mm)	Depth D=600 (mm)		Depth D=700 (mm)	
	Cat. No.	Price net (€)	Cat. No.	Price net (€)
1500	984556150	928	984557150	994
1600	984556160	945	984557160	1017
1700	984556170	965	984557170	1044
1800	984556180	982	984557180	1073
1900	984556190	830	984557190	862

456

**DOUBLE SINK UNIT WITHOUT SHELF**  
**H=850 MM**

- box edge 100x15 mm
- recessed tabletop
- screw-joined table for self-assembly
- legs joined using screws
- furniture shipped disassembled
- $\phi=33$  mm tap hole in the middle of the compartment
- available tabletop depths: 600 mm or 700 mm
- table with D=600, with sinks 400x400x250 mm
- table with D=700, with sinks 500x500x250 mm, excluded 984567110, where sinks are 400x500x250 mm



Width W (mm)	Depth D=600 (mm)		Depth D=700 (mm)	
	Cat. No.	Price net (€)	Cat. No.	Price net (€)
1100	984566110	672	984567110	696
1200	984566120	686	984567120	712
1300	984566130	706	984567130	733
1400	984566140	728	984567140	751

 flat drainer

457

**DOUBLE SINK UNIT WITHOUT SHELF**  
**H=850 MM**

- welded
- box edge 100x15 mm
- recessed tabletop
- $\phi=33$  mm tap hole in the middle of the compartment
- available tabletop depths: 600 mm or 700 mm
- table with D=600, with sinks 400x400x250 mm
- table with D=700, with sinks 500x500x250 mm



Width W (mm)	Depth D=600 (mm)		Depth D=700 (mm)	
	Cat. No.	Price net (€)	Cat. No.	Price net (€)
1500	984576150	928	984577150	994
1600	984576160	945	984577160	1017
1700	984576170	965	984577170	1044
1800	984576180	982	984577180	1073
1900	984576190	830	984577190	862

## 02 Sink units

458

### DOUBLE SINK UNIT WITH SHELF H=850 MM

- box edge 100x15 mm
- recessed tabletop
- screw-joined table for self-assembly
- legs joined using screws
- furniture shipped disassembled
- sinks placed centrally
- $\phi=33$  mm tap hole in the middle of the compartment
- available tabletop depths: 600 mm or 700 mm
- table with D=600, with sinks 400x400x250 mm
- table with D=700, with sinks 400x500x250 mm



Width W (mm)	Depth D=600 (mm)		Depth D=700 (mm)	
	Cat. No.	Price net (€)	Cat. No.	Price net (€)
1000	<b>984586100</b>	<b>724</b>	<b>984587100</b>	<b>752</b>

459

### DOUBLE SINK UNIT WITH SHELF H=850 MM

- box edge 100x15 mm
- recessed tabletop
- screw-joined table for self-assembly
- legs joined using screws
- furniture shipped disassembled
- $\phi=33$  mm tap hole in the middle of the compartment
- available tabletop depths: 600 mm or 700 mm
- table with D=600, with sinks 400x400x250 mm
- table with D=700, with sinks 500x500x250 mm, excluded 984597110, where sinks are 400x500x250 mm



Width W (mm)	Depth D=600 (mm)		Depth D=700 (mm)	
	Cat. No.	Price net (€)	Cat. No.	Price net (€)
1100	<b>984596110</b>	<b>771</b>	<b>984597110</b>	<b>810</b>
1200	<b>984596120</b>	<b>795</b>	<b>984597120</b>	<b>836</b>
1300	<b>984596130</b>	<b>824</b>	<b>984597130</b>	<b>865</b>
1400	<b>984596140</b>	<b>820</b>	<b>984597140</b>	<b>860</b>
1500	<b>984596150</b>	<b>833</b>	<b>984597150</b>	<b>879</b>
1600	<b>984596160</b>	<b>845</b>	<b>984597160</b>	<b>899</b>
1700	<b>984596170</b>	<b>858</b>	<b>984597170</b>	<b>924</b>
1800	<b>984596180</b>	<b>871</b>	<b>984597180</b>	<b>949</b>
1900	<b>984596190</b>	<b>980</b>	<b>984597190</b>	<b>1033</b>

 - flat drainer

460

### DOUBLE SINK UNIT WITH SHELF H=850 MM

- box edge 100x15 mm
- recessed tabletop
- screw-joined table for self-assembly
- legs joined using screws
- furniture shipped disassembled
- $\phi=33$  mm tap hole in the middle of the compartment
- available tabletop depths: 600 mm or 700 mm
- table with D=600, with sinks 400x400x250 mm
- table with D=700, with sinks 500x500x250 mm, excluded 984607110, where sinks are 400x500x250 mm



Width W (mm)	Depth D=600 (mm)		Depth D=700 (mm)	
	Cat. No.	Price net (€)	Cat. No.	Price net (€)
1100	<b>984606110</b>	<b>771</b>	<b>984607110</b>	<b>810</b>
1200	<b>984606120</b>	<b>795</b>	<b>984607120</b>	<b>836</b>
1300	<b>984606130</b>	<b>824</b>	<b>984607130</b>	<b>865</b>
1400	<b>984606140</b>	<b>820</b>	<b>984607140</b>	<b>860</b>
1500	<b>984606150</b>	<b>833</b>	<b>984607150</b>	<b>879</b>
1600	<b>984606160</b>	<b>845</b>	<b>984607160</b>	<b>899</b>
1700	<b>984606170</b>	<b>858</b>	<b>984607170</b>	<b>924</b>
1800	<b>984606180</b>	<b>871</b>	<b>984607180</b>	<b>949</b>
1900	<b>984606190</b>	<b>980</b>	<b>984607190</b>	<b>1033</b>

 - flat drainer



461

**DOUBLE SINK UNIT, HINGED DOORS**  
**H=850 MM**

- box edge 100x15 mm
- recessed tabletop
- $\varnothing=33$  mm tap hole in the middle of the compartment
- available tabletop depths: 600 mm or 700 mm
- table with D=600, with sinks 400x400x250 mm
- table with D=700, with sinks 400x500x250 mm
- optional lock assembly possible
- the cabinet is without the back wall



Width W (mm)	Depth D=600 (mm)		Depth D=700 (mm)	
	Cat. No.	Price net (€)	Cat. No.	Price net (€)
1000	<b>984616100</b>	<b>992</b>	<b>984617100</b>	<b>1045</b>

462

**DOUBLE SINK UNIT, HINGED DOORS**  
**H=850 MM**

- box edge 100x15 mm
- recessed tabletop
- $\varnothing=33$  mm tap hole in the middle of the compartment
- available tabletop depths: 600 mm or 700 mm
- table with D=600, with a sink 400x400x250 mm
- table with D=700, with a sink 500x500x250 mm, excluded 984627110, where sinks are 400x500x250 mm
- models 984626140, 984627140 with triple hinged doors
- optional lock assembly possible
- the cabinet is without the back wall



Width W (mm)	Depth D=600 (mm)		Depth D=700 (mm)	
	Cat. No.	Price net (€)	Cat. No.	Price net (€)
1100	<b>984626110</b>	<b>1062</b>	<b>984627110</b>	<b>1098</b>
1200	<b>984626120</b>	<b>1098</b>	<b>984627120</b>	<b>1135</b>
1300	<b>984626130</b>	<b>1132</b>	<b>984627130</b>	<b>1183</b>
1400	<b>984626140</b>	<b>1148</b>	<b>984627140</b>	<b>1213</b>
1500	<b>984626150</b>	<b>1175</b>	<b>984627150</b>	<b>1248</b>

 - flat drainer

463

**DOUBLE SINK UNIT, HINGED DOORS**  
**H=850 MM**

- box edge 100x15 mm
- recessed tabletop
- $\varnothing=33$  mm tap hole in the middle of the compartment
- available tabletop depths: 600 mm or 700 mm
- table with D=600, with a sink 400x400x250 mm
- table with D=700, with a sink 500x500x250 mm, excluded 984637110, where sinks are 400x500x250 mm
- models 984636140, 984637140 with triple hinged doors
- optional lock assembly possible
- the cabinet is without the back wall



Width W (mm)	Depth D=600 (mm)		Depth D=700 (mm)	
	Cat. No.	Price net (€)	Cat. No.	Price net (€)
1100	<b>984636110</b>	<b>1062</b>	<b>984637110</b>	<b>1098</b>
1200	<b>984636120</b>	<b>1098</b>	<b>984637120</b>	<b>1135</b>
1300	<b>984636130</b>	<b>1132</b>	<b>984637130</b>	<b>1183</b>
1400	<b>984636140</b>	<b>1148</b>	<b>984637140</b>	<b>1213</b>
1500	<b>984636150</b>	<b>1175</b>	<b>984637150</b>	<b>1248</b>

 - flat drainer

## 02 Sink units

**464**

### DOUBLE SINK UNIT, SLIDING DOORS H=850 MM

- box edge 100x15 mm
- recessed tabletop
- ø=33 mm tap hole in the middle of the compartment
- available tabletop depths: 600 mm or 700 mm
- table with D=600, with sinks 400x400x250 mm
- table with D=700, with sinks 400x500x250 mm
- optional lock assembly possible
- the cabinet is without the back wall



Width W (mm)	Depth D=600 (mm)		Depth D=700 (mm)	
	Cat. No.	Price net (€)	Cat. No.	Price net (€)
1000	<b>984646100</b>	<b>1035</b>	<b>984647100</b>	<b>1083</b>

**465**

### DOUBLE SINK UNIT, SLIDING DOORS H=850 MM

- box edge 100x15 mm
- recessed tabletop
- ø=33 mm tap hole in the middle of the compartment
- available tabletop depths: 600 mm or 700 mm
- table with D=600, with sinks 400x400x250 mm
- table with D=700, with sinks 500x500x250 mm, excluded 984657110, where sinks are 400x500x250 mm
- optional lock assembly possible
- the cabinet is without the back wall



Width W (mm)	Depth D=600 (mm)		Depth D=700 (mm)	
	Cat. No.	Price net (€)	Cat. No.	Price net (€)
1100	<b>984656110</b>	<b>1098</b>	<b>984657110</b>	<b>1156</b>
1200	<b>984656120</b>	<b>1126</b>	<b>984657120</b>	<b>1188</b>
1300	<b>984656130</b>	<b>1159</b>	<b>984657130</b>	<b>1220</b>
1400	<b>984656140</b>	<b>1181</b>	<b>984657140</b>	<b>1256</b>
1500	<b>984656150</b>	<b>1208</b>	<b>984657150</b>	<b>1292</b>
1600	<b>984656160</b>	<b>1225</b>	<b>984657160</b>	<b>1322</b>
1700	<b>984656170</b>	<b>1253</b>	<b>984657170</b>	<b>1358</b>
1800	<b>984656180</b>	<b>1272</b>	<b>984657180</b>	<b>1405</b>
1900	<b>984656190</b>	<b>1347</b>	<b>984657190</b>	<b>1423</b>

 - flat drainer

**466**

### DOUBLE SINK UNIT, SLIDING DOORS H=850 MM

- box edge 100x15 mm
- recessed tabletop
- ø=33 mm tap hole in the middle of the compartment
- available tabletop depths: 600 mm or 700 mm
- table with D=600, with sinks 400x400x250 mm
- table with D=700, with sinks 500x500x250 mm, excluded 984667110, where sinks are 400x500x250 mm
- optional lock assembly possible
- the cabinet is without the back wall



Width W (mm)	Depth D=600 (mm)		Depth D=700 (mm)	
	Cat. No.	Price net (€)	Cat. No.	Price net (€)
1100	<b>984666110</b>	<b>1098</b>	<b>984667110</b>	<b>1156</b>
1200	<b>984666120</b>	<b>1126</b>	<b>984667120</b>	<b>1188</b>
1300	<b>984666130</b>	<b>1159</b>	<b>984667130</b>	<b>1220</b>
1400	<b>984666140</b>	<b>1181</b>	<b>984667140</b>	<b>1256</b>
1500	<b>984666150</b>	<b>1208</b>	<b>984667150</b>	<b>1292</b>
1600	<b>984666160</b>	<b>1225</b>	<b>984667160</b>	<b>1322</b>
1700	<b>984666170</b>	<b>1253</b>	<b>984667170</b>	<b>1358</b>
1800	<b>984666180</b>	<b>1272</b>	<b>984667180</b>	<b>1405</b>
1900	<b>984666190</b>	<b>1347</b>	<b>984667190</b>	<b>1423</b>

 - flat drainer

489

**SINGLE SINK UNIT WITH SPACE  
FOR A REFRIGERATOR OR DISHWASHER  
H=900 MM**

- screw-joined table for self-assembly
- box edge 100x15 mm
- legs joined using screws
- furniture shipped disassembled
- $\varnothing=33$  mm tap hole in the middle of the compartment
- table with D=600, with a sink 400x400x250 mm
- table with D=700, with a sink 500x500x250 mm, excluded 984897120, where sink is 400x500x250 mm



Width W (mm)	Depth D=600 (mm)		Depth D=700 (mm)	
	Cat. No.	Price net (€)	Cat. No.	Price net (€)
1200	984896120	574	984897120	599
1300	984896130	603	984897130	631
1400	984896140	632	984897140	663
1500	984896150	613	984897150	645
1600	984896160	633	984897160	666
1700	984896170	651	984897170	686
1800	984896180	672	984897180	704
1900	984896190	690	984897190	728

490

**SINGLE SINK UNIT WITH SPACE  
FOR A REFRIGERATOR OR DISHWASHER  
H=900 MM**

- screw-joined table for self-assembly
- box edge 100x15 mm
- legs joined using screws
- furniture shipped disassembled
- $\varnothing=33$  mm tap hole in the middle of the compartment
- table with D=600, with a sink 400x400x250 mm
- table with D=700, with a sink 500x500x250 mm, excluded 984907120, where sink is 400x500x250 mm



Width W (mm)	Depth D=600 (mm)		Depth D=700 (mm)	
	Cat. No.	Price net (€)	Cat. No.	Price net (€)
1200	984906120	574	984907120	599
1300	984906130	603	984907130	631
1400	984906140	632	984907140	663
1500	984906150	613	984907150	645
1600	984906160	633	984907160	666
1700	984906170	651	984907170	686
1800	984906180	672	984907180	704
1900	984906190	690	984907190	728

491

**DOUBLE SINK UNIT WITH SPACE  
FOR A REFRIGERATOR OR DISHWASHER  
H=900 MM**

- welded
- box edge 100x15 mm
- $\varnothing=33$  mm tap hole in the middle of the compartment
- table with D=600, with sinks 400x400x250 mm
- table with D=700, with sinks 500x500x250 mm, excluded 984917160, where sinks are 400x500x250 mm



Width W (mm)	Depth D=600 (mm)		Depth D=700 (mm)	
	Cat. No.	Price net (€)	Cat. No.	Price net (€)
1600	984916160	777	984917160	827
1700	984916170	807	984917170	849
1800	984916180	827	984917180	870
1900	984916190	801	984917190	838
2000	984916200	824	984917200	865

492

**DOUBLE SINK UNIT WITH  
SPACE FOR A REFRIGERATOR OR DISHWASHER  
H=900 MM**

- welded
- box edge 100x15 mm
- $\varnothing=33$  mm tap hole in the middle of the compartment
- table with D=600, with sinks 400x400x250 mm
- table with D=700, with sinks 500x500x250 mm, excluded 984927160, where sinks are 400x500x250 mm



Width W (mm)	Depth D=600 (mm)		Depth D=700 (mm)	
	Cat. No.	Price net (€)	Cat. No.	Price net (€)
1600	984926160	777	984927160	827
1700	984926170	807	984927170	849
1800	984926180	827	984927180	870
1900	984926190	801	984927190	838
2000	984926200	824	984927200	865

## 02 Sink units

**062**

### SINGLE SINK UNIT WITHOUT SHELF H=850 MM

- screw-joined table for self-assembly
- legs joined using screws
- furniture shipped disassembled
- $\phi=33$  mm tap hole in the middle of the compartment
- table with D=600, with a sink 400x400x250 mm
- table with D=700, with a sink 500x500x250 mm



Width W (mm)	Depth D=600 (mm)		Depth D=700 (mm)	
	Cat. No.	Price net (€)	Cat. No.	Price net (€)
600	<b>980626060</b>	<b>548</b>	<b>980627060</b>	<b>566</b>
700	-	-	<b>980627070</b>	<b>593</b>

**063**

### SINGLE SINK UNIT WITH A HOLE FOR WASTE DISPOSAL UNIT, WITHOUT SHELF H=850 MM

- screw-joined table for self-assembly
- legs joined using screws
- furniture shipped disassembled
- $\phi=33$  mm tap hole in the middle of the compartment
- table with D=600, with a sink 400x400x250 mm
- table with D=700, with a sink 500x500x250 mm
- $\phi=90$  mm waste disposal hole
- $\phi=33$  mm pneumatic switch hole on the left of the compartment



Width W (mm)	Depth D=600 (mm)		Depth D=700 (mm)	
	Cat. No.	Price net (€)	Cat. No.	Price net (€)
600	<b>980636060</b>	<b>587</b>	-	-
700	-	-	<b>980637070</b>	<b>631</b>

**064**

### SINGLE SINK UNIT WITHOUT SHELF H=850 MM

- screw-joined table for self-assembly
- legs joined using screws
- furniture shipped disassembled
- $\phi=33$  mm tap hole in the middle of the compartment
- table with D=600, with a sink 400x400x250 mm
- table with D=700, with a sink 500x500x250 mm
- cutting out a hole for waste disposal unit possible



Width W (mm)	Depth D=600 (mm)		Depth D=700 (mm)	
	Cat. No.	Price net (€)	Cat. No.	Price net (€)
700	<b>980646070</b>	<b>575</b>	-	-
800	<b>980646080</b>	<b>599</b>	<b>980647080</b>	<b>619</b>
900	<b>980646090</b>	<b>619</b>	<b>980647090</b>	<b>643</b>
1000	<b>980646100</b>	<b>643</b>	<b>980647100</b>	<b>670</b>
1100	<b>980646110</b>	<b>670</b>	<b>980647110</b>	<b>696</b>
1200	<b>980646120</b>	<b>690</b>	<b>980647120</b>	<b>716</b>
1300	<b>980646130</b>	<b>713</b>	<b>980647130</b>	<b>743</b>
1400	<b>980646140</b>	<b>737</b>	<b>980647140</b>	<b>772</b>

## 065

SINGLE SINK UNIT WITHOUT SHELF  
H=850 MM

- welded
- $\varnothing=33$  mm tap hole in the middle of the compartment
- table with D=600, with a sink 400x400x250 mm
- table with D=700, with a sink 500x500x250 mm
- cutting out a hole for waste disposal unit possible



Width W (mm)	Depth D=600 (mm)		Depth D=700 (mm)	
	Cat. No.	Price net (€)	Cat. No.	Price net (€)
1500	980656150	763	980657150	798
1600	980656160	784	980657160	824
1700	980656170	808	980657170	845
1800	980656180	828	980657180	871
1900	980656190	857	980657190	898

## 066

SINGLE SINK UNIT WITHOUT SHELF  
H=850 MM

- screw-joined table for self-assembly
- legs joined using screws
- furniture shipped disassembled
- $\varnothing=33$  mm tap hole in the middle of the compartment
- table with D=600, with a sink 400x400x250 mm
- table with D=700, with a sink 500x500x250 mm
- cutting out a hole for waste disposal unit possible



Width W (mm)	Depth D=600 (mm)		Depth D=700 (mm)	
	Cat. No.	Price net (€)	Cat. No.	Price net (€)
700	980666070	575	-	-
800	980666080	599	980667080	619
900	980666090	619	980667090	643
1000	980666100	643	980667100	670
1100	980666110	670	980667110	696
1200	980666120	690	980667120	716
1300	980666130	713	980667130	743
1400	980666140	737	980667140	772

## 067

SINGLE SINK UNIT WITHOUT SHELF  
H=850 MM

- welded
- $\varnothing=33$  mm tap hole in the middle of the compartment
- table with D=600, with a sink 400x400x250 mm
- table with D=700, with a sink 500x500x250 mm
- cutting out a hole for waste disposal unit possible



Width W (mm)	Depth D=600 (mm)		Depth D=700 (mm)	
	Cat. No.	Price net (€)	Cat. No.	Price net (€)
1500	980676150	763	980677150	798
1600	980676160	784	980677160	824
1700	980676170	808	980677170	845
1800	980676180	828	980677180	871
1900	980676190	857	980677190	898

## 02 Sink units

**068**

### SINGLE SINK UNIT WITH SHELF H=850 MM

- screw-joined table for self-assembly
- legs and shelf joined using screws
- furniture shipped disassembled
- $\phi=33$  mm tap hole in the middle of the compartment
- table with D=600, with a sink 400x400x250 mm
- table with D=700, with a sink 500x500x250 mm
- cutting out a hole for waste disposal unit possible



Width W (mm)	Depth D=600 (mm)		Depth D=700 (mm)	
	Cat. No.	Price net (€)	Cat. No.	Price net (€)
600	<b>980686060</b>	<b>587</b>	<b>980687060</b>	<b>611</b>
700	-	-	<b>980687070</b>	<b>643</b>

**069**

### SINGLE SINK UNIT WITH SHELF H=850 MM

- screw-joined table for self-assembly
- legs and shelf joined using screws
- furniture shipped disassembled
- $\phi=33$  mm tap hole in the middle of the compartment
- table with D=600, with a sink 400x400x250 mm
- table with D=700, with a sink 500x500x250 mm
- cutting out a hole for waste disposal unit possible



Width W (mm)	Depth D=600 (mm)		Depth D=700 (mm)	
	Cat. No.	Price net (€)	Cat. No.	Price net (€)
700	<b>980696070</b>	<b>619</b>	-	-
800	<b>980696080</b>	<b>646</b>	<b>980697080</b>	<b>676</b>
900	<b>980696090</b>	<b>676</b>	<b>980697090</b>	<b>710</b>
1000	<b>980696100</b>	<b>707</b>	<b>980697100</b>	<b>739</b>
1100	<b>980696110</b>	<b>733</b>	<b>980697110</b>	<b>772</b>
1200	<b>980696120</b>	<b>763</b>	<b>980697120</b>	<b>808</b>
1300	<b>980696130</b>	<b>786</b>	<b>980697130</b>	<b>839</b>
1400	<b>980696140</b>	<b>818</b>	<b>980697140</b>	<b>869</b>
1500	<b>980696150</b>	<b>845</b>	<b>980697150</b>	<b>898</b>
1600	<b>980696160</b>	<b>875</b>	<b>980697160</b>	<b>934</b>
1700	<b>980696170</b>	<b>910</b>	<b>980697170</b>	<b>962</b>
1800	<b>980696180</b>	<b>936</b>	<b>980697180</b>	<b>995</b>
1900	<b>980696190</b>	<b>966</b>	<b>980697190</b>	<b>1025</b>

**070**

### SINGLE SINK UNIT WITH SHELF H=850 MM

- screw-joined table for self-assembly
- legs and shelf joined using screws
- furniture shipped disassembled
- $\phi=33$  mm tap hole in the middle of the compartment
- table with D=600, with a sink 400x400x250 mm
- table with D=700, with a sink 500x500x250 mm
- cutting out a hole for waste disposal unit possible



Width W (mm)	Depth D=600 (mm)		Depth D=700 (mm)	
	Cat. No.	Price net (€)	Cat. No.	Price net (€)
700	<b>980706070</b>	<b>619</b>	-	-
800	<b>980706080</b>	<b>646</b>	<b>980707080</b>	<b>676</b>
900	<b>980706090</b>	<b>676</b>	<b>980707090</b>	<b>710</b>
1000	<b>980706100</b>	<b>707</b>	<b>980707100</b>	<b>739</b>
1100	<b>980706110</b>	<b>733</b>	<b>980707110</b>	<b>772</b>
1200	<b>980706120</b>	<b>763</b>	<b>980707120</b>	<b>808</b>
1300	<b>980706130</b>	<b>786</b>	<b>980707130</b>	<b>839</b>
1400	<b>980706140</b>	<b>818</b>	<b>980707140</b>	<b>869</b>
1500	<b>980706150</b>	<b>845</b>	<b>980707150</b>	<b>898</b>
1600	<b>980706160</b>	<b>875</b>	<b>980707160</b>	<b>934</b>
1700	<b>980706170</b>	<b>910</b>	<b>980707170</b>	<b>962</b>
1800	<b>980706180</b>	<b>936</b>	<b>980707180</b>	<b>995</b>
1900	<b>980706190</b>	<b>966</b>	<b>980707190</b>	<b>1025</b>

## 071

SINGLE SINK UNIT, HINGED DOORS  
H=850 MM

- $\varnothing=33$  mm tap hole in the middle of the compartment
- the table has 400x400x250 mm compartment, excluded 980717060, where sink is 400x500x250 mm
- cutting out a hole for waste disposal unit possible
- door hinged on the left
- optional lock assembly possible
- the cabinet is without the back wall



Width W (mm)	Depth D=600 (mm)		Depth D=700 (mm)	
	Cat. No.	Price net (€)	Cat. No.	Price net (€)
500	<b>980716050</b>	<b>798</b>	<b>980717050</b>	<b>834</b>
600	<b>980716060</b>	<b>857</b>	<b>980717060</b>	<b>892</b>

## 072

SINGLE SINK UNIT, HINGED DOORS  
H=850 MM

- $\varnothing=33$  mm tap hole in the middle of the compartment
- table with D=600, with a sink 400x400x250 mm
- table with D=700, with a sink 500x500x250 mm
- models 980726140, 980726150, 980727140, 980727150 with triple hinged doors
- cutting out a hole for waste disposal unit possible
- optional lock assembly possible
- the cabinet is without the back wall



Width W (mm)	Depth D=600 (mm)		Depth D=700 (mm)	
	Cat. No.	Price net (€)	Cat. No.	Price net (€)
700	<b>980726070</b>	<b>913</b>	<b>980727070</b>	<b>960</b>
800	<b>980726080</b>	<b>960</b>	<b>980727080</b>	<b>1001</b>
900	<b>980726090</b>	<b>1007</b>	<b>980727090</b>	<b>1051</b>
1000	<b>980726100</b>	<b>1051</b>	<b>980727100</b>	<b>1098</b>
1100	<b>980726110</b>	<b>1094</b>	<b>980727110</b>	<b>1151</b>
1200	<b>980726120</b>	<b>1141</b>	<b>980727120</b>	<b>1198</b>
1300	<b>980726130</b>	<b>1186</b>	<b>980727130</b>	<b>1247</b>
1400	<b>980726140</b>	<b>1232</b>	<b>980727140</b>	<b>1295</b>
1500	<b>980726150</b>	<b>1279</b>	<b>980727150</b>	<b>1344</b>

## 073

SINGLE SINK UNIT, HINGED DOORS  
H=850 MM

- $\varnothing=33$  mm tap hole in the middle of the compartment
- table with D=600, with a sink 400x400x250 mm
- table with D=700, with a sink 500x500x250 mm
- models 980736140, 980736150, 980737140, 980737150 with triple hinged doors
- cutting out a hole for waste disposal unit possible
- optional lock assembly possible
- the cabinet is without the back wall



Width W (mm)	Depth D=600 (mm)		Depth D=700 (mm)	
	Cat. No.	Price net (€)	Cat. No.	Price net (€)
700	<b>980736070</b>	<b>913</b>	<b>980737070</b>	<b>960</b>
800	<b>980736080</b>	<b>960</b>	<b>980737080</b>	<b>1001</b>
900	<b>980736090</b>	<b>1007</b>	<b>980737090</b>	<b>1051</b>
1000	<b>980736100</b>	<b>1051</b>	<b>980737100</b>	<b>1098</b>
1100	<b>980736110</b>	<b>1094</b>	<b>980737110</b>	<b>1151</b>
1200	<b>980736120</b>	<b>1141</b>	<b>980737120</b>	<b>1198</b>
1300	<b>980736130</b>	<b>1186</b>	<b>980737130</b>	<b>1247</b>
1400	<b>980736140</b>	<b>1232</b>	<b>980737140</b>	<b>1295</b>
1500	<b>980736150</b>	<b>1279</b>	<b>980737150</b>	<b>1344</b>

## 02 Sink units

**074**

### SINGLE SINK UNIT, SLIDING DOORS H=850 MM

- $\phi=33$  mm tap hole in the middle of the compartment
- table with D=600, with a sink 400x400x250 mm
- table with D=700, with a sink 500x500x250 mm
- cutting out a hole for waste disposal unit possible
- optional lock assembly possible
- the cabinet is without the back wall



Width W (mm)	Depth D=600 (mm)		Depth D=700 (mm)	
	Cat. No.	Price net (€)	Cat. No.	Price net (€)
800	980746080	989	980747080	1045
900	980746090	1025	980747090	1088
1000	980746100	1062	980747100	1130
1100	980746110	1098	980747110	1162
1200	980746120	1135	980747120	1204
1300	980746130	1171	980747130	1244
1400	980746140	1206	980747140	1285
1500	980746150	1244	980747150	1321
1600	980746160	1279	980747160	1358
1700	980746170	1318	980747170	1400
1800	980746180	1352	980747180	1441
1900	980746190	1385	980747190	1480

**075**

### SINGLE SINK UNIT, SLIDING DOORS H=850 MM

- $\phi=33$  mm tap hole in the middle of the compartment
- table with D=600, with a sink 400x400x250 mm
- table with D=700, with a sink 500x500x250 mm
- cutting out a hole for waste disposal unit possible
- optional lock assembly possible
- the cabinet is without the back wall



Width W (mm)	Depth D=600 (mm)		Depth D=700 (mm)	
	Cat. No.	Price net (€)	Cat. No.	Price net (€)
800	980756080	989	980757080	1045
900	980756090	1025	980757090	1088
1000	980756100	1062	980757100	1130
1100	980756110	1098	980757110	1162
1200	980756120	1135	980757120	1204
1300	980756130	1171	980757130	1244
1400	980756140	1206	980757140	1285
1500	980756150	1244	980757150	1321
1600	980756160	1279	980757160	1358
1700	980756170	1318	980757170	1400
1800	980756180	1352	980757180	1441
1900	980756190	1385	980757190	1480

**076**

### DOUBLE SINK UNIT WITHOUT SHELF H=850 MM

- screw-joined table for self-assembly
- legs joined using screws
- furniture shipped disassembled
- $\phi=33$  mm tap hole in the middle of the compartment
- sinks placed centrally
- table with D=600, with sinks 400x400x250 mm
- table with D=700, with sinks 400x500x250 mm
- waste disposal hole can be added upon request (exact spot must be indicated)



Width W (mm)	Depth D=600 (mm)		Depth D=700 (mm)	
	Cat. No.	Price net (€)	Cat. No.	Price net (€)
1000	980766100	775	980767100	801



## 077

**DOUBLE SINK UNIT WITHOUT SHELF  
H=850 MM**

- screw-joined table for self-assembly
- legs joined using screws
- furniture shipped disassembled
- $\varnothing=33$  mm tap hole in the middle of the compartment
- table with D=600, with sinks 400x400x250 mm
- table with D=700, with sinks 500x500x250 mm, excluded 980777110, where sinks are 400x500x250 mm
- waste disposal hole can be added upon request (exact spot must be indicated)



Width W (mm)	Depth D=600 (mm)		Depth D=700 (mm)	
	Cat. No.	Price net (€)	Cat. No.	Price net (€)
1100	<b>980776110</b>	<b>798</b>	<b>980777110</b>	<b>828</b>
1200	<b>980776120</b>	<b>824</b>	<b>980777120</b>	<b>856</b>
1300	<b>980776130</b>	<b>848</b>	<b>980777130</b>	<b>883</b>
1400	<b>980776140</b>	<b>871</b>	<b>980777140</b>	<b>907</b>

## 078

**DOUBLE SINK UNIT WITHOUT SHELF  
H=850 MM**

- welded
- $\varnothing=33$  mm tap hole in the middle of the compartment
- table with D=600, with sinks 400x400x250 mm
- table with D=700, with sinks 500x500x250 mm
- cutting out a hole for waste disposal unit possible (exact spot must be indicated)



Width W (mm)	Depth D=600 (mm)		Depth D=700 (mm)	
	Cat. No.	Price net (€)	Cat. No.	Price net (€)
1500	<b>980786150</b>	<b>895</b>	<b>980787150</b>	<b>933</b>
1600	<b>980786160</b>	<b>915</b>	<b>980787160</b>	<b>960</b>
1700	<b>980786170</b>	<b>939</b>	<b>980787170</b>	<b>980</b>
1800	<b>980786180</b>	<b>966</b>	<b>980787180</b>	<b>1006</b>
1900	<b>980786190</b>	<b>988</b>	<b>980787190</b>	<b>1033</b>

## 079

**DOUBLE SINK UNIT WITHOUT SHELF  
H=850 MM**

- screw-joined table for self-assembly
- legs joined using screws
- furniture shipped disassembled
- $\varnothing=33$  mm tap hole in the middle of the compartment
- table with D=600, with sinks 400x400x250 mm
- table with D=700, with sinks 500x500x250 mm, excluded 980797110, where sinks are 400x500x250 mm
- cutting out a hole for waste disposal unit possible (exact spot must be indicated)



Width W (mm)	Depth D=600 (mm)		Depth D=700 (mm)	
	Cat. No.	Price net (€)	Cat. No.	Price net (€)
1100	<b>980796110</b>	<b>798</b>	<b>980797110</b>	<b>828</b>
1200	<b>980796120</b>	<b>824</b>	<b>980797120</b>	<b>856</b>
1300	<b>980796130</b>	<b>848</b>	<b>980797130</b>	<b>883</b>
1400	<b>980796140</b>	<b>871</b>	<b>980797140</b>	<b>907</b>

## 02 Sink units

### 080

#### DOUBLE SINK UNIT WITHOUT SHELF H=850 MM

- welded
- $\phi=33$  mm tap hole in the middle of the compartment
- table with D=600, with sinks 400x400x250 mm
- table with D=700, with sinks 500x500x250 mm
- waste disposal hole can be added upon request (exact spot must be indicated)



Width W (mm)	Depth D=600 (mm)		Depth D=700 (mm)	
	Cat. No.	Price net (€)	Cat. No.	Price net (€)
1500	<b>980806150</b>	<b>895</b>	<b>980807150</b>	<b>933</b>
1600	<b>980806160</b>	<b>915</b>	<b>980807160</b>	<b>960</b>
1700	<b>980806170</b>	<b>939</b>	<b>980807170</b>	<b>980</b>
1800	<b>980806180</b>	<b>966</b>	<b>980807180</b>	<b>1006</b>
1900	<b>980806190</b>	<b>988</b>	<b>980807190</b>	<b>1033</b>

### 081

#### DOUBLE SINK UNIT WITH SHELF H=850 MM

- screw-joined table for self-assembly
- legs joined using screws
- furniture shipped disassembled
- $\phi=33$  mm tap hole in the middle of the compartment
- sinks placed centrally
- table with D=600, with sinks 400x400x250 mm
- table with D=700, with sinks 400x500x250 mm
- waste disposal hole can be added upon request (exact spot must be indicated)



Width W (mm)	Depth D=600 (mm)		Depth D=700 (mm)	
	Cat. No.	Price net (€)	Cat. No.	Price net (€)
1000	<b>980816100</b>	<b>897</b>	<b>980817100</b>	<b>936</b>

### 082

#### DOUBLE SINK UNIT WITH SHELF H=850 MM

- screw-joined table for self-assembly
- legs joined using screws
- furniture shipped disassembled
- $\phi=33$  mm tap hole in the middle of the compartment
- table with D=600, with sinks 400x400x250 mm
- table with D=700, with sinks 500x500x250 mm, excluded 980827110, where sinks are 400x500x250 mm
- waste disposal hole can be added upon request (exact spot must be indicated)



Width W (mm)	Depth D=600 (mm)		Depth D=700 (mm)	
	Cat. No.	Price net (€)	Cat. No.	Price net (€)
1100	<b>980826110</b>	<b>930</b>	<b>980827110</b>	<b>966</b>
1200	<b>980826120</b>	<b>960</b>	<b>980827120</b>	<b>1000</b>
1300	<b>980826130</b>	<b>988</b>	<b>980827130</b>	<b>1039</b>
1400	<b>980826140</b>	<b>1021</b>	<b>980827140</b>	<b>1068</b>
1500	<b>980826150</b>	<b>1051</b>	<b>980827150</b>	<b>1106</b>
1600	<b>980826160</b>	<b>1086</b>	<b>980827160</b>	<b>1138</b>
1700	<b>980826170</b>	<b>1114</b>	<b>980827170</b>	<b>1179</b>
1800	<b>980826180</b>	<b>1141</b>	<b>980827180</b>	<b>1206</b>
1900	<b>980826190</b>	<b>1179</b>	<b>980827190</b>	<b>1244</b>

## 083

DOUBLE SINK UNIT WITH SHELF  
H=850 MM

- welded
- $\varnothing=33$  mm tap hole in the middle of the compartment
- table with D=600, with sinks 400x400x250 mm
- table with D=700, with sinks 500x500x250 mm
- cutting out a hole for waste disposal unit possible (exact spot must be indicated)



Width W (mm)	Depth D=600 (mm)		Depth D=700 (mm)	
	Cat. No.	Price net (€)	Cat. No.	Price net (€)
2000	980836200	1279	980837200	1356
2100	980836210	1315	980837210	1384
2200	980836220	1344	980837220	1420
2300	980836230	1378	980837230	1455
2400	980836240	1408	980837240	1488
2500	980836250	1441	980837250	1522
2600	980836260	1470	980837260	1558
2700	980836270	1502	980837270	1587
2800	980836280	1528	980837280	1626

## 084

DOUBLE SINK UNIT WITH SHELF  
H=850 MM

- screw-joined table for self-assembly
- legs joined using screws
- furniture shipped disassembled
- $\varnothing=33$  mm tap hole in the middle of the compartment
- table with D=600, with sinks 400x400x250 mm
- table with D=700, with sinks 500x500x250 mm, excluded 980827110, where sinks are 400x500x250 mm
- waste disposal hole can be added upon request (exact spot must be indicated)



Width W (mm)	Depth D=600 (mm)		Depth D=700 (mm)	
	Cat. No.	Price net (€)	Cat. No.	Price net (€)
1100	980846110	930	980847110	966
1200	980846120	960	980847120	1000
1300	980846130	988	980847130	1039
1400	980846140	1021	980847140	1068
1500	980846150	1051	980847150	1106
1600	980846160	1086	980847160	1138
1700	980846170	1114	980847170	1179
1800	980846180	1141	980847180	1206
1900	980846190	1179	980847190	1244

## 085

DOUBLE SINK UNIT WITH SHELF  
H=850 MM

- welded
- $\varnothing=33$  mm tap hole in the middle of the compartment
- table with D=600, with sinks 400x400x250 mm
- table with D=700, with sinks 500x500x250 mm
- cutting out a hole for waste disposal unit possible (exact spot must be indicated)



Width W (mm)	Depth D=600 (mm)		Depth D=700 (mm)	
	Cat. No.	Price net (€)	Cat. No.	Price net (€)
2000	980856200	1279	980857200	1356
2100	980856210	1315	980857210	1384
2200	980856220	1344	980857220	1420
2300	980856230	1378	980857230	1455
2400	980856240	1408	980857240	1488
2500	980856250	1441	980857250	1522
2600	980856260	1470	980857260	1558
2700	980856270	1502	980857270	1587
2800	980856280	1528	980857280	1626

## 02 Sink units

**086**

### DOUBLE SINK UNIT, HINGED DOORS H=850 MM

- $\varnothing=33$  mm tap hole in the middle of the compartment
- table with D=600, with sinks 400x400x250 mm
- table with D=700, with sinks 400x500x250 mm
- cutting out a hole for waste disposal unit possible
- optional lock assembly possible
- the cabinet is without the back wall



Width W (mm)	Depth D=600 (mm)		Depth D=700 (mm)	
	Cat. No.	Price net (€)	Cat. No.	Price net (€)
1000	<b>980866100</b>	<b>1220</b>	<b>980867100</b>	<b>1268</b>

**087**

### DOUBLE SINK UNIT, HINGED DOORS H=850 MM

- $\varnothing=33$  mm tap hole in the middle of the compartment
- table with D=600, with sinks 400x400x250 mm
- table with D=700, with sinks 500x500x250 mm, excluded 980877110 where sinks are 400x500x250 mm
- models 980876140, 980876150, 980877140, 980877150 with triple hinged doors
- cutting out a hole for waste disposal unit possible
- optional lock assembly possible
- the cabinet is without the back wall



Width W (mm)	Depth D=600 (mm)		Depth D=700 (mm)	
	Cat. No.	Price net (€)	Cat. No.	Price net (€)
1100	<b>980876110</b>	<b>1264</b>	<b>980877110</b>	<b>1317</b>
1200	<b>980876120</b>	<b>1315</b>	<b>980877120</b>	<b>1364</b>
1300	<b>980876130</b>	<b>1358</b>	<b>980877130</b>	<b>1417</b>
1400	<b>980876140</b>	<b>1405</b>	<b>980877140</b>	<b>1464</b>
1500	<b>980876150</b>	<b>1453</b>	<b>980877150</b>	<b>1514</b>

**088**

### DOUBLE SINK UNIT, HINGED DOORS H=850 MM

- $\varnothing=33$  mm tap hole in the middle of the compartment
- table with D=600, with sinks 400x400x250 mm
- table with D=700, with sinks 500x500x250 mm, excluded 980887110, where sinks are 400x500x250 mm
- models 980886140, 980886150, 980887140, 980887150 with triple hinged doors
- cutting out a hole for waste disposal unit possible
- the cabinet is without the back wall



Width W (mm)	Depth D=600 (mm)		Depth D=700 (mm)	
	Cat. No.	Price net (€)	Cat. No.	Price net (€)
1100	<b>980886110</b>	<b>1264</b>	<b>980887110</b>	<b>1317</b>
1200	<b>980886120</b>	<b>1315</b>	<b>980887120</b>	<b>1364</b>
1300	<b>980886130</b>	<b>1358</b>	<b>980887130</b>	<b>1417</b>
1400	<b>980886140</b>	<b>1405</b>	<b>980887140</b>	<b>1464</b>
1500	<b>980886150</b>	<b>1453</b>	<b>980887150</b>	<b>1514</b>

089

**DOUBLE SINK UNIT, SLIDING DOORS**  
**H=850 MM**

- $\varnothing=33$  mm tap hole in the middle of the compartment
- table with D=600, with sinks 400x400x250 mm
- table with D=700, with sinks 400x500x250 mm
- cutting out a hole for waste disposal unit possible
- optional lock assembly possible
- the cabinet is without the back wall



Width W (mm)	Depth D=600 (mm)		Depth D=700 (mm)	
	Cat. No.	Price net (€)	Cat. No.	Price net (€)
1000	<b>980896100</b>	<b>1279</b>	<b>980897100</b>	<b>1344</b>

090

**DOUBLE SINK UNIT, SLIDING DOORS**  
**H=850 MM**

- $\varnothing=33$  mm tap hole in the middle of the compartment
- table with D=600, with sinks 400x400x250 mm
- table with D=700, with sinks 500x500x250 mm, excluded 980907110, where sinks are 400x500x250 mm
- waste disposal hole can be added upon request (exact spot must be indicated)
- optional lock assembly possible
- the cabinet is without the back wall



Width W (mm)	Depth D=600 (mm)		Depth D=700 (mm)	
	Cat. No.	Price net (€)	Cat. No.	Price net (€)
1100	<b>980906110</b>	<b>1317</b>	<b>980907110</b>	<b>1384</b>
1200	<b>980906120</b>	<b>1356</b>	<b>980907120</b>	<b>1426</b>
1300	<b>980906130</b>	<b>1388</b>	<b>980907130</b>	<b>1464</b>
1400	<b>980906140</b>	<b>1426</b>	<b>980907140</b>	<b>1508</b>
1500	<b>980906150</b>	<b>1464</b>	<b>980907150</b>	<b>1543</b>
1600	<b>980906160</b>	<b>1502</b>	<b>980907160</b>	<b>1585</b>
1700	<b>980906170</b>	<b>1540</b>	<b>980907170</b>	<b>1632</b>
1800	<b>980906180</b>	<b>1579</b>	<b>980907180</b>	<b>1672</b>
1900	<b>980906190</b>	<b>1617</b>	<b>980907190</b>	<b>1711</b>

091

**DOUBLE SINK UNIT, SLIDING DOORS**  
**H=850 MM**

- $\varnothing=33$  mm tap hole in the middle of the compartment
- table with D=600, with sinks 400x400x250 mm
- table with D=700, with sinks 500x500x250 mm, excluded 980917110, where sinks are 400x500x250 mm
- waste disposal hole can be added upon request (exact spot must be indicated)
- optional lock assembly possible
- the cabinet is without the back wall



Width W (mm)	Depth D=600 (mm)		Depth D=700 (mm)	
	Cat. No.	Price net (€)	Cat. No.	Price net (€)
1100	<b>980916110</b>	<b>1317</b>	<b>980917110</b>	<b>1384</b>
1200	<b>980916120</b>	<b>1356</b>	<b>980917120</b>	<b>1426</b>
1300	<b>980916130</b>	<b>1388</b>	<b>980917130</b>	<b>1464</b>
1400	<b>980916140</b>	<b>1426</b>	<b>980917140</b>	<b>1508</b>
1500	<b>980916150</b>	<b>1464</b>	<b>980917150</b>	<b>1543</b>
1600	<b>980916160</b>	<b>1502</b>	<b>980917160</b>	<b>1585</b>
1700	<b>980916170</b>	<b>1540</b>	<b>980917170</b>	<b>1632</b>
1800	<b>980916180</b>	<b>1579</b>	<b>980917180</b>	<b>1672</b>
1900	<b>980916190</b>	<b>1617</b>	<b>980917190</b>	<b>1711</b>

## 02 Sink units

**092**

### WALL TABLE WITHOUT SHELF WITH WASTE HOLE H=850 MM

- welded
- deepened tabletop
- rubber cover of the waste hole (inner  $\phi=140$  mm)



Width W (mm)	Depth D=600 (mm)		Depth D=700 (mm)	
	Cat. No.	Price net (€)	Cat. No.	Price net (€)
800	980926080	422	980927080	448
900	980926090	448	980927090	472
1000	980926100	472	980927100	493
1100	980926110	489	980927110	516
1200	980926120	513	980927120	540
1300	980926130	537	980927130	566
1400	980926140	552	980927140	590
1500	980926150	578	980927150	610
1600	980926160	598	980927160	637
1700	980926170	619	980927170	657
1800	980926180	643	980927180	678
1900	980926190	663	980927190	706

**093**

### WALL TABLE WITH SINK, WITHOUT SHELF, WITH WASTE HOLE H=850 MM

- welded
- rubber cover of the waste hole (inner  $\phi=140$  mm)
- table with D=600, with a sink 400x400x250 mm
- table with D=700, with a sink 500x500x250 mm, excluded W=1000 and W=1100, where sink is 400x500x250 mm
- $\phi=33$  mm tap hole in the middle of the compartment



Width W (mm)	Depth D=600 (mm)		Depth D=700 (mm)	
	Cat. No.	Price net (€)	Cat. No.	Price net (€)
1000	980936100	639	980937100	663
1100	980936110	663	980937110	684
1200	980936120	678	980937120	706
1300	980936130	698	980937130	728
1400	980936140	718	980937140	748
1500	980936150	742	980937150	771
1600	980936160	763	980937160	792
1700	980936170	781	980937170	812
1800	980936180	798	980937180	838
1900	980936190	818	980937190	860

**094**

### WALL TABLE WITH SINK, WITHOUT SHELF, WITH WASTE HOLE H=850 MM

- welded
- rubber cover of the waste hole (inner  $\phi=140$  mm)
- table with D=600, with a sink 400x400x250 mm
- table with D=700, with a sink 500x500x250 mm, excluded W=1000 and W=1100, where sink is 400x500x250 mm
- $\phi=33$  mm tap hole in the middle of the compartment



Width W (mm)	Depth D=600 (mm)		Depth D=700 (mm)	
	Cat. No.	Price net (€)	Cat. No.	Price net (€)
1000	980946100	639	980947100	663
1100	980946110	663	980947110	684
1200	980946120	678	980947120	706
1300	980946130	698	980947130	728
1400	980946140	718	980947140	748
1500	980946150	742	980947150	771
1600	980946160	763	980947160	792
1700	980946170	781	980947170	812
1800	980946180	798	980947180	838
1900	980946190	818	980947190	860

## 095

**SINGLE SINK UNIT WITH SPACE  
FOR A REFRIGERATOR OR DISHWASHER  
H=900 MM**

- screw-joined table for self-assembly
- legs joined using screws
- furniture shipped disassembled
- $\varnothing=33$  mm tap hole in the middle of the compartment
- table with D=600, with a sink 400x400x250 mm
- table with D=700, with a sink 500x500x250 mm, excluded 980957120, where sink is 400x500x250 mm
- cutting out a hole for waste disposal unit possible



Width W (mm)	Depth D=600 (mm)		Depth D=700 (mm)	
	Cat. No.	Price net (€)	Cat. No.	Price net (€)
1200	980956120	669	980957120	698
1300	980956130	696	980957130	728
1400	980956140	716	980957140	751
1500	980956150	739	980957150	781
1600	980956160	763	980957160	801
1700	980956170	786	980957170	828
1800	980956180	810	980957180	848
1900	980956190	834	980957190	874

## 096

**SINGLE SINK UNIT WITH SPACE  
FOR A REFRIGERATOR OR DISHWASHER  
H=900 MM**

- screw-joined table for self-assembly
- legs joined using screws
- furniture shipped disassembled
- $\varnothing=33$  mm tap hole in the middle of the compartment
- table with D=600, with a sink 400x400x250 mm
- table with D=700, with a sink 500x500x250 mm, excluded 980967120, where sink is 400x500x250 mm
- cutting out a hole for waste disposal unit possible



Width W (mm)	Depth D=600 (mm)		Depth D=700 (mm)	
	Cat. No.	Price net (€)	Cat. No.	Price net (€)
1200	980966120	669	980967120	698
1300	980966130	696	980967130	728
1400	980966140	716	980967140	751
1500	980966150	739	980967150	781
1600	980966160	763	980967160	801
1700	980966170	786	980967170	828
1800	980966180	810	980967180	848
1900	980966190	834	980967190	874

## 097

**SINGLE SINK UNIT WITH CABINET AND SHELF  
H=850 MM**

- height adjustable shelf in the cabinet
- $\varnothing=33$  mm tap hole in the middle of the compartment
- table with D=600, with a sink 400x400x250 mm
- table with D=700, with a sink 500x500x250 mm, excluded 980977100 and 980977110, where sink is 400x500x250 mm
- cutting out a hole for waste disposal unit possible
- optional lock assembly possible



Width W (mm)	Depth D=600 (mm)		Depth D=700 (mm)	
	Cat. No.	Price net (€)	Cat. No.	Price net (€)
1000	980976100	972	980977100	1021
1100	980976110	994	980977110	1045
1200	980976120	1021	980977120	1074
1300	980976130	1045	980977130	1106
1400	980976140	1071	980977140	1135
1500	980976150	1098	980977150	1161
1600	980976160	1130	980977160	1194
1700	980976170	1156	980977170	1218
1800	980976180	1183	980977180	1246
1900	980976190	1203	980977190	1279

## 02 Sink units

**098**

### SINGLE SINK UNIT WITH CABINET AND SHELF H=850 MM

- height adjustable shelf in the cabinet
- $\phi=33$  mm tap hole in the middle of the compartment
- table with D=600, with a sink 400x400x250 mm
- table with D=700, with a sink 500x500x250 mm, excluded 980987100 and 980987110, where sink is 400x500x250 mm
- cutting out a hole for waste disposal unit possible
- optional lock assembly possible



Width W (mm)	Depth D=600 (mm)		Depth D=700 (mm)	
	Cat. No.	Price net (€)	Cat. No.	Price net (€)
1000	980986100	972	980987100	1021
1100	980986110	994	980987110	1045
1200	980986120	1021	980987120	1074
1300	980986130	1045	980987130	1106
1400	980986140	1071	980987140	1135
1500	980986150	1098	980987150	1161
1600	980986160	1130	980987160	1194
1700	980986170	1156	980987170	1218
1800	980986180	1183	980987180	1246
1900	980986190	1203	980987190	1279

**099**

### SINGLE SINK UNIT WITH BLOCK OF TWO DRAWERS AND SHELF H=850 MM

- drawers depth 200 mm
- $\phi=33$  mm tap hole in the middle of the compartment
- table with D=600, with a sink 400x400x250 mm
- table with D=700, with a sink 500x500x250 mm, excluded 980997100 and 980997110, where sink is 400x500x250 mm
- cutting out a hole for waste disposal unit possible
- optional lock assembly possible



Width W (mm)	Depth D=600 (mm)		Depth D=700 (mm)	
	Cat. No.	Price net (€)	Cat. No.	Price net (€)
1000	980996100	1068	980997100	1135
1100	980996110	1094	980997110	1161
1200	980996120	1120	980997120	1194
1300	980996130	1150	980997130	1220
1400	980996140	1171	980997140	1252
1500	980996150	1203	980997150	1279
1600	980996160	1224	980997160	1311
1700	980996170	1252	980997170	1332
1800	980996180	1279	980997180	1362
1900	980996190	1309	980997190	1388

**100**

### SINGLE SINK UNIT WITH BLOCK OF TWO DRAWERS AND SHELF H=850 MM

- drawers depth 200 mm
- $\phi=33$  mm tap hole in the middle of the compartment
- table with D=600, with a sink 400x400x250 mm
- table with D=700, with a sink 500x500x250 mm, excluded 981007100 and 981007110, where sink is 400x500x250 mm
- cutting out a hole for waste disposal unit possible
- optional lock assembly possible



Width W (mm)	Depth D=600 (mm)		Depth D=700 (mm)	
	Cat. No.	Price net (€)	Cat. No.	Price net (€)
1000	981006100	1068	981007100	1135
1100	981006110	1094	981007110	1161
1200	981006120	1120	981007120	1194
1300	981006130	1150	981007130	1220
1400	981006140	1171	981007140	1252
1500	981006150	1203	981007150	1279
1600	981006160	1224	981007160	1311
1700	981006170	1252	981007170	1332
1800	981006180	1279	981007180	1362
1900	981006190	1309	981007190	1388



236

### SINGLE SINK UNIT WITH BLOCK OF THREE DRAWERS AND SHELF H=850 MM

- drawers depth 150 mm
- $\varnothing=33$  mm tap hole in the middle of the compartment
- table with D=600, with a sink 400x400x250 mm
- table with D=700, with a sink 500x500x250 mm, excluded 982367100 and 982367110, where sink is 400x500x250 mm
- cutting out a hole for waste disposal unit possible
- optional lock assembly possible



Width W (mm)	Depth D=600 (mm)		Depth D=700 (mm)	
	Cat. No.	Price net (€)	Cat. No.	Price net (€)
1000	982366100	1417	982367100	1502
1100	982366110	1443	982367110	1534
1200	982366120	1476	982367120	1561
1300	982366130	1502	982367130	1599
1400	982366140	1534	982367140	1626
1500	982366150	1561	982367150	1664
1600	982366160	1587	982367160	1690
1700	982366170	1622	982367170	1717
1800	982366180	1648	982367180	1755
1900	982366190	1678	982367190	1784

237

### SINGLE SINK UNIT WITH BLOCK OF THREE DRAWERS AND SHELF H=850 MM

- drawers depth 150 mm
- $\varnothing=33$  mm tap hole in the middle of the compartment
- table with D=600, with a sink 400x400x250 mm
- table with D=700, with a sink 500x500x250 mm, excluded 982377100 and 982377110, where sink is 400x500x250 mm
- cutting out a hole for waste disposal unit possible
- optional lock assembly possible



Width W (mm)	Depth D=600 (mm)		Depth D=700 (mm)	
	Cat. No.	Price net (€)	Cat. No.	Price net (€)
1000	982376100	1417	982377100	1502
1100	982376110	1443	982377110	1534
1200	982376120	1476	982377120	1561
1300	982376130	1502	982377130	1599
1400	982376140	1534	982377140	1626
1500	982376150	1561	982377150	1664
1600	982376160	1587	982377160	1690
1700	982376170	1622	982377170	1717
1800	982376180	1648	982377180	1755
1900	982376190	1678	982377190	1784

101

### DOUBLE SINK UNIT WITHOUT SHELF, WITH WASTE HOLE H=850 MM

- rubber cover of the waste hole (inner  $\varnothing=140$  mm)
- $\varnothing=33$  mm tap hole in the middle of the compartment
- table with D=600, with sinks 400x400x250 mm
- table with D=700, with sinks 500x500x250 mm, excluded W=1400 and W=1500 mm, where sinks are 400x500x250 mm



Width W (mm)	Depth D=600 (mm)		Depth D=700 (mm)	
	Cat. No.	Price net (€)	Cat. No.	Price net (€)
1400	981016140	732	981017140	756
1500	981016150	750	981017150	774
1600	981016160	768	981017160	798
1700	981016170	786	981017170	816
1800	981016180	804	981017180	834
1900	981016190	822	981017190	852

## 02 Sink units

102

### DOUBLE SINK UNIT WITHOUT SHELF, WITH WASTE HOLE H=850 MM

- rubber cover of the waste hole (inner  $\varnothing=140$  mm)
- $\varnothing=33$  mm tap hole in the middle of the compartment
- table with D=600, with sinks 400x400x250 mm
- table with D=700, with sinks 500x500x250 mm, excluded W=1400 and W=1500 mm, where sinks are 400x500x250 mm



Width W (mm)	Depth D=600 (mm)		Depth D=700 (mm)	
	Cat. No.	Price net (€)	Cat. No.	Price net (€)
1400	981026140	732	981027140	756
1500	981026150	750	981027150	774
1600	981026160	768	981027160	798
1700	981026170	786	981027170	816
1800	981026180	804	981027180	834
1900	981026190	822	981027190	852

103

### DOUBLE SINK UNIT WITH SPACE FOR A REFRIGERATOR OR DISHWASHER H=900 MM

- welded
- $\varnothing=33$  mm tap hole in the middle of the compartment
- table with D=600, with sinks 400x400x250 mm
- table with D=700, with sinks 500x500x250 mm, excluded 981037160, 981037170, where sinks are 400x500x250 mm
- cutting out a hole for waste disposal unit possible (exact spot must be indicated)



Width W (mm)	Depth D=600 (mm)		Depth D=700 (mm)	
	Cat. No.	Price net (€)	Cat. No.	Price net (€)
1600	981036160	897	981037160	936
1700	981036170	921	981037170	960
1800	981036180	942	981037180	986
1900	981036190	966	981037190	1009
2000	981036200	994	981037200	1041
2100	981036210	1018	981037210	1071
2200	981036220	1045	981037220	1108
2300	981036230	1074	981037230	1141
2400	981036240	1114	981037240	1185

104

### DOUBLE SINK UNIT WITH SPACE FOR A REFRIGERATOR OR DISHWASHER H=900 MM

- welded
- $\varnothing=33$  mm tap hole in the middle of the compartment
- table with D=600, with sinks 400x400x250 mm
- table with D=700, with sinks 500x500x250 mm, excluded 981047160, 981047170, where sinks are 400x500x250 mm
- cutting out a hole for waste disposal unit possible (exact spot must be indicated)



Width W (mm)	Depth D=600 (mm)		Depth D=700 (mm)	
	Cat. No.	Price net (€)	Cat. No.	Price net (€)
1600	981046160	897	981047160	936
1700	981046170	921	981047170	960
1800	981046180	942	981047180	986
1900	981046190	966	981047190	1009
2000	981046200	994	981047200	1041
2100	981046210	1018	981047210	1071
2200	981046220	1045	981047220	1108
2300	981046230	1074	981047230	1141
2400	981046240	1114	981047240	1185

## 105

**DOUBLE SINK UNIT WITH CABINET AND SHELF  
H=850 MM**

- height adjustable shelf in the cabinet
- $\varnothing=33$  mm tap hole in the middle of the compartment
- table with D=600, with sinks 400x400x250 mm
- table with D=700, with sinks 500x500x250 mm, excluded 981057140, 981057150, where sinks are 400x500x250 mm
- cutting out a hole for waste disposal unit possible (exact spot must be indicated)
- optional lock assembly possible



Width W (mm)	Depth D=600 (mm)		Depth D=700 (mm)	
	Cat. No.	Price net (€)	Cat. No.	Price net (€)
1400	<b>981056140</b>	<b>1394</b>	<b>981057140</b>	<b>1461</b>
1500	<b>981056150</b>	<b>1426</b>	<b>981057150</b>	<b>1494</b>
1600	<b>981056160</b>	<b>1455</b>	<b>981057160</b>	<b>1534</b>
1700	<b>981056170</b>	<b>1488</b>	<b>981057170</b>	<b>1567</b>
1800	<b>981056180</b>	<b>1516</b>	<b>981057180</b>	<b>1602</b>
1900	<b>981056190</b>	<b>1552</b>	<b>981057190</b>	<b>1634</b>

## 106

**DOUBLE SINK UNIT WITH CABINET AND SHELF  
H=850 MM**

- height adjustable shelf in the cabinet
- $\varnothing=33$  mm tap hole in the middle of the compartment
- table with D=600, with sinks 400x400x250 mm
- table with D=700, with sinks 500x500x250 mm, excluded 981067140, 981067150, where sinks are 400x500x250 mm
- cutting out a hole for waste disposal unit possible (exact spot must be indicated)
- optional lock assembly possible



Width W (mm)	Depth D=600 (mm)		Depth D=700 (mm)	
	Cat. No.	Price net (€)	Cat. No.	Price net (€)
1400	<b>981066140</b>	<b>1394</b>	<b>981067140</b>	<b>1461</b>
1500	<b>981066150</b>	<b>1426</b>	<b>981067150</b>	<b>1494</b>
1600	<b>981066160</b>	<b>1455</b>	<b>981067160</b>	<b>1534</b>
1700	<b>981066170</b>	<b>1488</b>	<b>981067170</b>	<b>1567</b>
1800	<b>981066180</b>	<b>1516</b>	<b>981067180</b>	<b>1602</b>
1900	<b>981066190</b>	<b>1552</b>	<b>981067190</b>	<b>1634</b>

## 107

**DOUBLE SINK UNIT WITH BLOCK OF TWO DRAWERS AND SHELF  
H=850 MM**

- drawers depth 200 mm
- $\varnothing=33$  mm tap hole in the middle of the compartment
- table with D=600, with sinks 400x400x250 mm
- table with D=700, with sinks 500x500x250 mm, excluded 981077140, 981077150, where sinks are 400x500x250 mm
- cutting out a hole for waste disposal unit possible (exact spot must be indicated)
- optional lock assembly possible



Width W (mm)	Depth D=600 (mm)		Depth D=700 (mm)	
	Cat. No.	Price net (€)	Cat. No.	Price net (€)
1400	<b>981076140</b>	<b>1356</b>	<b>981077140</b>	<b>1429</b>
1500	<b>981076150</b>	<b>1384</b>	<b>981077150</b>	<b>1461</b>
1600	<b>981076160</b>	<b>1411</b>	<b>981077160</b>	<b>1490</b>
1700	<b>981076170</b>	<b>1441</b>	<b>981077170</b>	<b>1528</b>
1800	<b>981076180</b>	<b>1464</b>	<b>981077180</b>	<b>1555</b>
1900	<b>981076190</b>	<b>1490</b>	<b>981077190</b>	<b>1585</b>

## 02 Sink units

108

### DOUBLE SINK UNIT WITH BLOCK OF TWO DRAWERS AND SHELF H=850 MM

- drawers depth 200 mm
- $\phi=33$  mm tap hole in the middle of the compartment
- table with D=600, with sinks 400x400x250 mm
- table with D=700, with sinks 500x500x250 mm, excluded 981087140, 981087150, where sinks are 400x500x250 mm
- cutting out a hole for waste disposal unit possible (exact spot must be indicated)
- optional lock assembly possible



Width W (mm)	Depth D=600 (mm)		Depth D=700 (mm)	
	Cat. No.	Price net (€)	Cat. No.	Price net (€)
1400	981086140	1356	981087140	1429
1500	981086150	1384	981087150	1461
1600	981086160	1411	981087160	1490
1700	981086170	1441	981087170	1528
1800	981086180	1464	981087180	1555
1900	981086190	1490	981087190	1585

109

### DOUBLE SINK UNIT WITH BLOCK OF THREE DRAWERS AND SHELF H=850 MM

- drawers depth 150 mm
- $\phi=33$  mm tap hole in the middle of the compartment
- table with D=600, with sinks 400x400x250 mm
- table with D=700, with sinks 500x500x250 mm, excluded 981097140, 981097150, where sinks are 400x500x250 mm
- cutting out a hole for waste disposal unit possible (exact spot must be indicated)
- optional lock assembly possible



Width W (mm)	Depth D=600 (mm)		Depth D=700 (mm)	
	Cat. No.	Price net (€)	Cat. No.	Price net (€)
1400	981096140	1516	981097140	1605
1500	981096150	1543	981097150	1640
1600	981096160	1575	981097160	1672
1700	981096170	1605	981097170	1701
1800	981096180	1632	981097180	1731
1900	981096190	1654	981097190	1760

110

### DOUBLE SINK UNIT WITH BLOCK OF THREE DRAWERS AND SHELF H=850 MM

- drawers depth 150 mm
- $\phi=33$  mm tap hole in the middle of the compartment
- table with D=600, with sinks 400x400x250 mm
- table with D=700, with sinks 500x500x250 mm, excluded 981107140, 981107150, where sinks are 400x500x250 mm
- cutting out a hole for waste disposal unit possible (exact spot must be indicated)
- optional lock assembly possible



Width W (mm)	Depth D=600 (mm)		Depth D=700 (mm)	
	Cat. No.	Price net (€)	Cat. No.	Price net (€)
1400	981106140	1516	981107140	1605
1500	981106150	1543	981107150	1640
1600	981106160	1575	981107160	1672
1700	981106170	1605	981107170	1701
1800	981106180	1632	981107180	1731
1900	981106190	1654	981107190	1760

111

### TRIPLE SINK UNIT WITHOUT SHELF H=850 MM

- welded
- $\varnothing=33$  mm tap holes
- table with D=600, with sinks 400x400x250 mm
- table with D=700, with sinks 500x500x250 mm, excluded 981117150, 981117160, 981117170, where sinks are 400x500x250 mm
- cutting out a hole for waste disposal unit possible (exact spot must be indicated)



Width W (mm)	Depth D=600 (mm)		Depth D=700 (mm)	
	Cat. No.	Price net (€)	Cat. No.	Price net (€)
1500	981116150	1138	981117150	1183
1600	981116160	1165	981117160	1206
1700	981116170	1188	981117170	1232
1800	981116180	1212	981117180	1262
1900	981116190	1238	981117190	1288

112

### TRIPLE SINK UNIT WITHOUT SHELF H=850 MM

- welded
- $\varnothing=33$  mm tap holes
- table with D=600, with sinks 400x400x250 mm
- table with D=700, with sinks 500x500x250 mm, excluded 981127150, 981127160, 981127170, where sinks are 400x500x250 mm
- cutting out a hole for waste disposal unit possible (exact spot must be indicated)



Width W (mm)	Depth D=600 (mm)		Depth D=700 (mm)	
	Cat. No.	Price net (€)	Cat. No.	Price net (€)
1500	981126150	1138	981127150	1183
1600	981126160	1165	981127160	1206
1700	981126170	1188	981127170	1232
1800	981126180	1212	981127180	1262
1900	981126190	1238	981127190	1288

113

### TRIPLE SINK UNIT WITHOUT SHELF H=850 MM

- screw-joined table for self-assembly
- legs joined using screws
- furniture shipped disassembled
- $\varnothing=33$  mm tap holes
- table with D=600, with sinks 400x400x250 mm
- table with D=700, with sinks 500x500x250 mm, excluded 981137150, 981137160, 981137170, where sinks are 400x500x250 mm
- cutting out a hole for waste disposal unit possible (exact spot must be indicated)



Width W (mm)	Depth D=600 (mm)		Depth D=700 (mm)	
	Cat. No.	Price net (€)	Cat. No.	Price net (€)
1500	981136150	1220	981137150	1279
1600	981136160	1252	981137160	1311
1700	981136170	1279	981137170	1341
1800	981136180	1311	981137180	1378
1900	981136190	1341	981137190	1408

## 02 Sink units

114

### TRIPLE SINK UNIT WITHOUT SHELF H=850 MM

- screw-joined table for self-assembly
- legs joined using screws
- furniture shipped disassembled
- $\phi=33$  mm tap holes
- table with D=600, with sinks 400x400x250 mm
- table with D=700, with sinks 500x500x250 mm, excluded 981147150, 981147160, 981147170, where sinks are 400x500x250 mm
- cutting out a hole for waste disposal unit possible (exact spot must be indicated)



Width W (mm)	Depth D=600 (mm)		Depth D=700 (mm)	
	Cat. No.	Price net (€)	Cat. No.	Price net (€)
1500	981146150	1220	981147150	1279
1600	981146160	1252	981147160	1311
1700	981146170	1279	981147170	1341
1800	981146180	1311	981147180	1378
1900	981146190	1341	981147190	1408

1012

### LOADING TABLE WITH SLOPE, ONE SINK, WITHOUT SHELF FOR STALGAST HOOD-TYPE DISHWASHERS MODEL: 803021, 803035, 803036, 803037 H=880 MM

- screw-joined table for self-assembly
- legs joined using screws
- furniture shipped disassembled
- table with sink 400x400x250 mm
- basket runner is inclined towards dishwasher
- $\phi=33$  mm tap hole in the middle of the compartment
- cutting out a hole for waste disposal unit possible (exact spot must be indicated)



Width W (mm)	Depth D=750 (mm)	
	Cat. No.	Price net (€)
800	9810127080	664
900	9810127090	687
1000	9810127100	716
1100	9810127110	745
1200	9810127120	771
1300	9810127130	798
1400	9810127140	834

NEW



Can be connected to dishwashers of other manufacturers

1013

### LOADING TABLE WITH SLOPE, ONE SINK, WITHOUT SHELF FOR STALGAST HOOD-TYPE DISHWASHERS MODEL: 803021, 803035, 803036, 803037 H=880 MM

- screw-joined table for self-assembly
- legs joined using screws
- furniture shipped disassembled
- table with sink 400x400x250 mm
- basket runner is inclined towards dishwasher
- $\phi=33$  mm tap hole in the middle of the compartment
- cutting out a hole for waste disposal unit possible (exact spot must be indicated)



Width W (mm)	Depth D=750 (mm)	
	Cat. No.	Price net (€)
800	9810137080	664
900	9810137090	687
1000	9810137100	716
1100	9810137110	745
1200	9810137120	771
1300	9810137130	798
1400	9810137140	834

NEW




Can be connected to dishwashers of other manufacturers

## 1000

**LOADING TABLE WITH SLOPE, ONE SINK, WITH SHELF FOR STALGAST HOOD-TYPE DISHWASHERS MODEL: 803021, 803035, 803036, 803037 H=880 MM**

- screw-joined table for self-assembly
- legs joined using screws
- furniture shipped disassembled
- table with sink 400x400x250 mm
- basket runner is inclined towards dishwasher
- $\varnothing=33$  mm tap hole in the middle of the compartment
- cutting out a hole for waste disposal unit possible (exact spot must be indicated)

 Can be connected to dishwashers of other manufacturers




Width W (mm)	Depth D=750 (mm)	
	Cat. No.	Price net (€)
800	9810007080	696
900	9810007090	729
1000	9810007100	760
1100	9810007110	792
1200	9810007120	818
1300	9810007130	860
1400	9810007140	889

NEW

## 1001

**LOADING TABLE WITH SLOPE, ONE SINK, WITH SHELF FOR STALGAST HOOD-TYPE DISHWASHERS MODEL: 803021, 803035, 803036, 803037 H=880 MM**

- screw-joined table for self-assembly
- legs joined using screws
- furniture shipped disassembled
- table with sink 400x400x250 mm
- basket runner is inclined towards dishwasher
- $\varnothing=33$  mm tap hole in the middle of the compartment
- cutting out a hole for waste disposal unit possible (exact spot must be indicated)

 Can be connected to dishwashers of other manufacturers



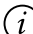
Width W (mm)	Depth D=750 (mm)	
	Cat. No.	Price net (€)
800	9810017080	696
900	9810017090	729
1000	9810017100	760
1100	9810017110	792
1200	9810017120	818
1300	9810017130	860
1400	9810017140	889

NEW

## 1016

**UNLOADING TABLE WITH SLOPE, WITHOUT SHELF FOR STALGAST HOOD-TYPE DISHWASHERS MODEL: 803021, 803035, 803036, 803037 H=880 MM**

- screw-joined table for self-assembly
- legs joined using screws
- furniture shipped disassembled
- basket runner is inclined towards dishwasher

 Can be connected to dishwashers of other manufacturers



Width W (mm)	Depth D=750 (mm)	
	Cat. No.	Price net (€)
800	9810167080	522
900	9810167090	546
1000	9810167100	575
1100	9810167110	605
1200	9810167120	625
1300	9810167130	651
1400	9810167140	678

NEW

## 02 Sink units

**1017**

**UNLOADING TABLE WITH SLOPE, WITHOUT SHELF FOR STALGAST HOOD-TYPE DISHWASHERS MODEL: 803021, 803035, 803036, 803037 H=880 MM**

- screw-joined table for self-assembly
- legs joined using screws
- furniture shipped disassembled
- basket runner is inclined towards dishwasher



Can be connected to dishwashers of other manufacturers



Width W (mm)	Depth D=750 (mm)	
	Cat. No.	Price net (€)
800	<b>9810177080</b>	<b>522</b>
900	<b>9810177090</b>	<b>546</b>
1000	<b>9810177100</b>	<b>575</b>
1100	<b>9810177110</b>	<b>605</b>
1200	<b>9810177120</b>	<b>625</b>
1300	<b>9810177130</b>	<b>651</b>
1400	<b>9810177140</b>	<b>678</b>

**NEW**

**1004**

**UNLOADING TABLE WITH SLOPE, ONE SINK, WITH SHELF FOR STALGAST HOOD-TYPE DISHWASHERS MODEL: 803021, 803035, 803036, 803037 H=880 MM**

- screw-joined table for self-assembly
- legs joined using screws
- furniture shipped disassembled
- basket runner is inclined towards dishwasher



Can be connected to dishwashers of other manufacturers



Width W (mm)	Depth D=750 (mm)	
	Cat. No.	Price net (€)
800	<b>9810047080</b>	<b>542</b>
900	<b>9810047090</b>	<b>575</b>
1000	<b>9810047100</b>	<b>605</b>
1100	<b>9810047110</b>	<b>637</b>
1200	<b>9810047120</b>	<b>666</b>
1300	<b>9810047130</b>	<b>696</b>
1400	<b>9810047140</b>	<b>728</b>

**NEW**

**1005**

**UNLOADING TABLE WITH SLOPE, ONE SINK, WITH SHELF FOR STALGAST HOOD-TYPE DISHWASHERS MODEL: 803021, 803035, 803036, 803037 H=880 MM**

- screw-joined table for self-assembly
- legs joined using screws
- furniture shipped disassembled
- basket runner is inclined towards dishwasher



Can be connected to dishwashers of other manufacturers



Width W (mm)	Depth D=750 (mm)	
	Cat. No.	Price net (€)
800	<b>9810057080</b>	<b>542</b>
900	<b>9810057090</b>	<b>575</b>
1000	<b>9810057100</b>	<b>605</b>
1100	<b>9810057110</b>	<b>637</b>
1200	<b>9810057120</b>	<b>666</b>
1300	<b>9810057130</b>	<b>696</b>
1400	<b>9810057140</b>	<b>728</b>

**NEW**



## 131

**LOADING TABLE WITH ONE SINK, WITHOUT SHELF, ON TWO LEGS  
H=880 MM**

- screw-joined table for self-assembly
- legs joined using screws
- furniture shipped disassembled
- table with sink 400x400x250 mm
- $\varnothing=33$  mm tap hole in the middle of the compartment
- cutting out a hole for waste disposal unit possible (exact spot must be indicated)
- when placing an order please indicate the model of dishwasher and attachment side (L/R)



Width W (mm)	Depth D=750 (mm)	
	Cat. No.	Price net (€)
700	tel.	496
800	tel.	514
900	tel.	538
1000	tel.	563

## 132

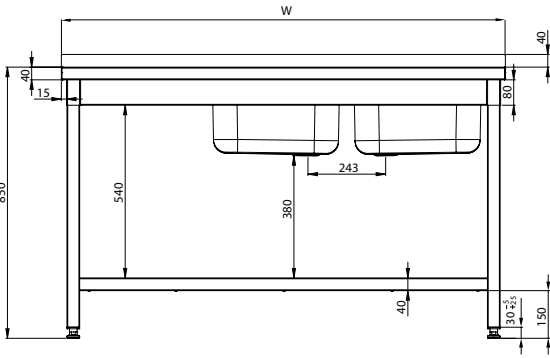
**UNLOADING TABLE, WITHOUT SHELF, ON TWO LEGS  
H=880 MM**

- screw-joined table for self-assembly
- legs joined using screws
- furniture shipped disassembled
- when placing an order please indicate the model of dishwasher and attachment side (L/R)



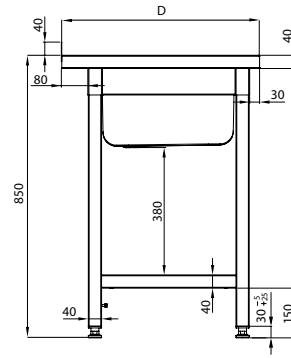
Width W (mm)	Depth D=750 (mm)	
	Cat. No.	Price net (€)
700	tel.	400
800	tel.	414
900	tel.	434
1000	tel.	465

DOUBLE SINK UNIT



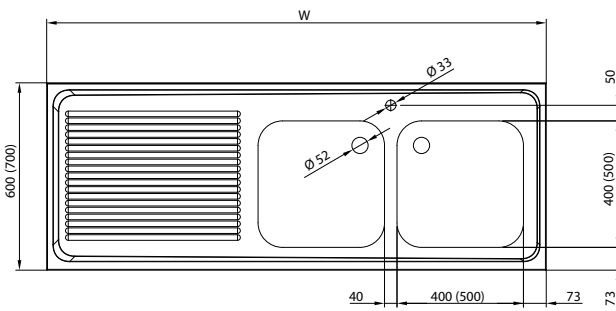
Front view

SINGLE SINK UNIT



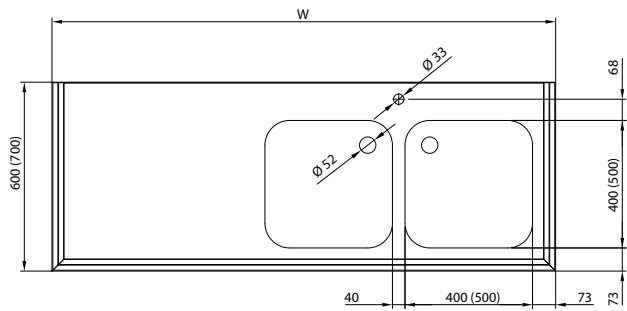
Side view

GROOVED SINKTOP



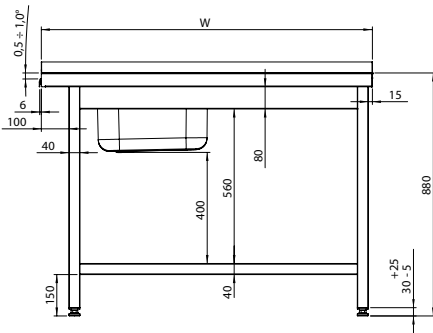
Top view

SMOOTH SINKTOP

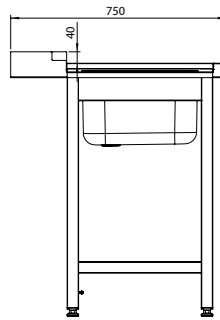


Top view

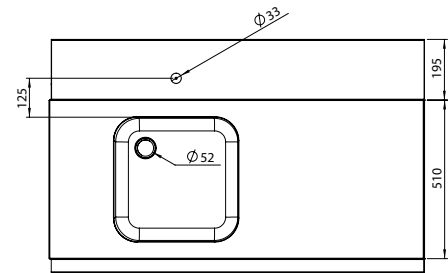
LOADING TABLE FOR STALGAST HOOD-TYPE DISHWASHER



Front view



Side view



Top view

# Deep pot sinks



03

## 03 Deep pot sinks

133

### SINGLE-CHAMBER DEEP POT SINK H=850 MM

- compartment height h=300 mm
- welded
- $\varnothing=33$  mm tap hole in the middle of the compartment
- cutting out a hole for waste disposal unit possible



Width W (mm)	Depth D=600 (mm)		Depth D=700 (mm)	
	Cat. No.	Price net (€)	Cat. No.	Price net (€)
600	981336060	470	981337060	500
700	981336070	500	981337070	533
800	981336080	540	981337080	570
900	981336090	578	981337090	609
1000	981336100	615	981337100	648
1100	981336110	639	981337110	673
1200	981336120	662	981337120	698



Top view

134

### SINGLE-CHAMBER DEEP POT SINK H=850 MM

- compartment height h=400 mm
- welded
- $\varnothing=33$  mm tap hole in the middle of the compartment
- cutting out a hole for waste disposal unit possible



Width W (mm)	Depth D=600 (mm)		Depth D=700 (mm)	
	Cat. No.	Price net (€)	Cat. No.	Price net (€)
600	981346060	517	981347060	550
700	981346070	550	981347070	586
800	981346080	594	981347080	627
900	981346090	636	981347090	670
1000	981346100	677	981347100	713
1100	981346110	703	981347110	740
1200	981346120	728	981347120	768



Top view

**137**

**DOUBLE-CHAMBER DEEP POT SINK  
H=850 MM**

- compartment height h=300 mm
- welded
- ø=33 mm tap hole in the middle of the compartment
- cutting out a hole for waste disposal unit possible



Width W (mm)	Depth D=600 (mm)		Depth D=700 (mm)	
	Cat. No.	Price net (€)	Cat. No.	Price net (€)
1200	981376120	781	981377120	824
1300	981376130	811	981377130	857
1400	981376140	851	981377140	894
1500	981376150	889	981377150	933
1600	981376160	926	981377160	972



Top view

**138**

**DOUBLE-CHAMBER DEEP POT SINK  
H=850 MM**

- compartment height h=400 mm
- welded
- ø=33 mm tap hole in the middle of the compartment
- cutting out a hole for waste disposal unit possible

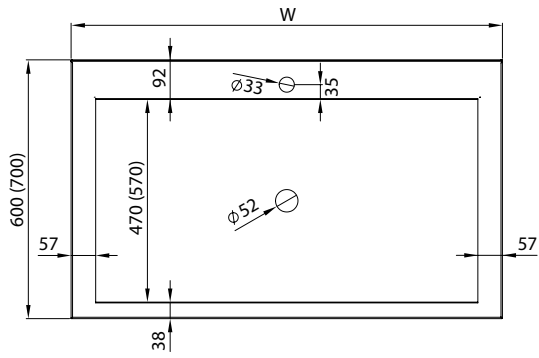


Width W (mm)	Depth D=600 (mm)		Depth D=700 (mm)	
	Cat. No.	Price net (€)	Cat. No.	Price net (€)
1200	981386120	859	981387120	906
1300	981386130	892	981387130	942
1400	981386140	936	981387140	983
1500	981386150	978	981387150	1026
1600	981386160	1019	981387160	1069



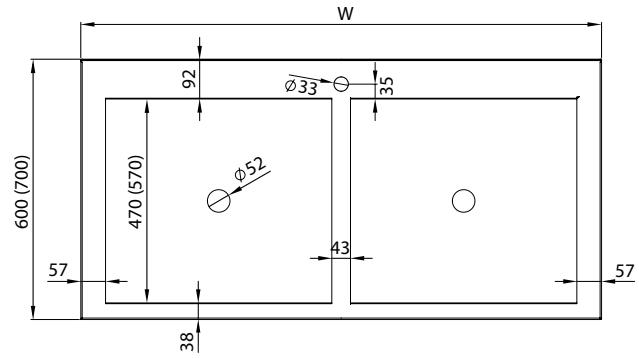
Top view

TABLE WITH SINGLE-COMPARTMENT BASIN



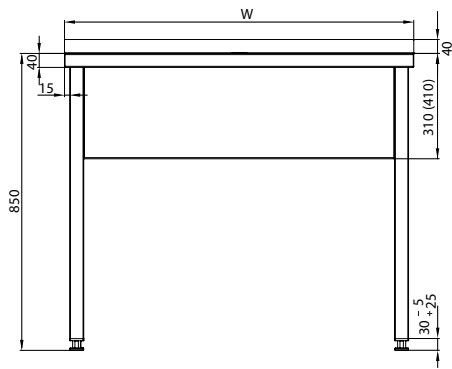
Top view

TABLE WITH TWO-COMPARTMENT BASIN

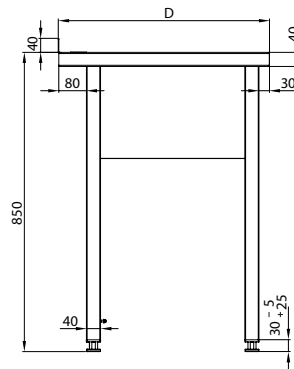


Top view

TABLE WITH BASIN



Front view



Side view

# Washbasins



## 04 Washbasins

1026

### OPEN WASHBASIN H=150 MM

- compartment size 285x225x100 mm
- $\phi=33$  mm tap hole in the middle of the compartment

Depth D=350 (mm)		
Width W (mm)	Cat. No.	Price net (€)
400	9810264040	140



142

### BUILT-IN WASHBASIN H=240 MM

- washbasin built-in from three sides
- compartment size 330x300x150 mm
- $\phi=33$  mm tap hole in the middle of the compartment

Depth D=410 (mm)		
Width W (mm)	Cat. No.	Price net (€)
400	981424240	220



144

### BUILT-IN WASHBASIN H=300 MM

- sink built-in from three sides
- compartment size 400x400x250 mm
- $\phi=33$  mm tap hole on the right of the compartment

Depth D=500 (mm)		
Width W (mm)	Cat. No.	Price net (€)
500	981445050	325



233

### BUILT-IN WASHBASIN WITH TIME SWITCH H=240 MM

- washbasin built-in from three sides
- compartment size 345x248 mm
- includes: faucet, time switch, water mixer ( $\frac{1}{2}$ "

Depth D=295 (mm)		
Width W (mm)	Cat. No.	Price net (€)
400	982334040	430





143

**BUILT-IN WASHBASIN**  
**H=850 MM**

- welded washbasin
- washbasin built-in from three sides
- compartment size 330x300x150 mm
- ø=33 mm tap hole in the middle of the compartment
- legs made of 30x30 mm profile



Depth D=410 (mm)		
Width W (mm)	Cat. No.	Price net (€)
400	981434850	295

1027

**BUILT-IN WASHBASIN**  
**H=500 MM**

- welded sink
- sink built-in from three sides
- compartment size 280x310x200 mm
- ø=33 mm tap hole in the middle of the compartment



Depth D=470 (mm)		
Width W (mm)	Cat. No.	Price net (€)
470	9810275050	375

235

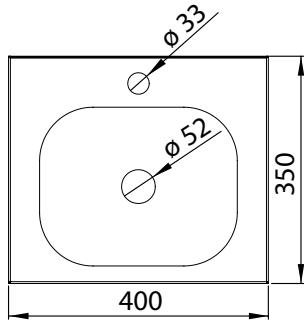
**UTILITY WASHBASIN**  
**H=850 MM**

- welded washbasin
- compartment size: 300x240x100 mm, 400x400x250 mm
- ø=33 mm tap hole

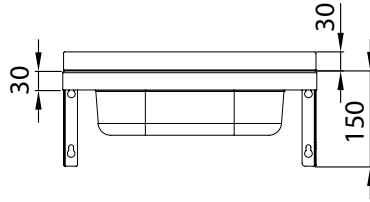


Depth D=700 (mm)		
Width W (mm)	Cat. No.	Price net (€)
500	982357050	550

UNDEVELOPED WASHBASIN

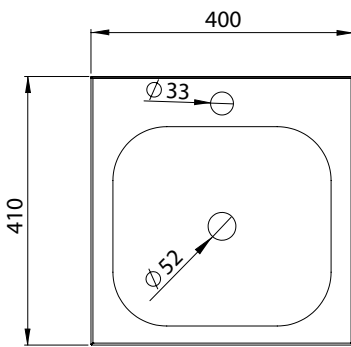


Top view

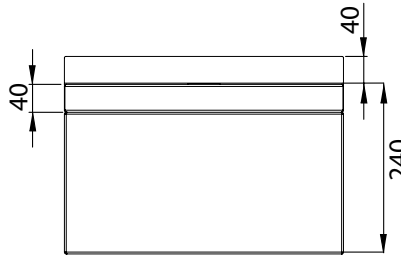


View from behind

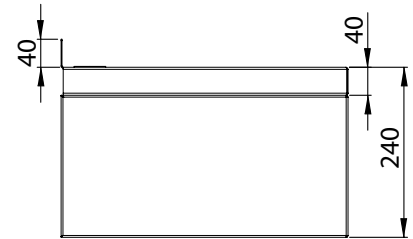
BUILT-IN WASHBASIN



Top view

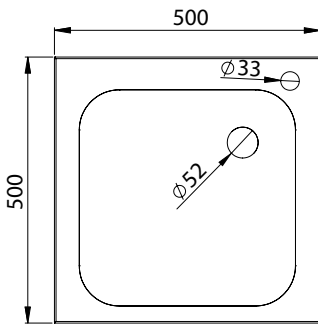


Front view

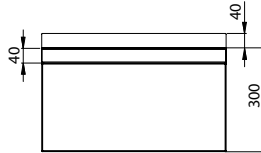


Side view

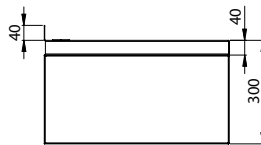
BUILT-IN SINK



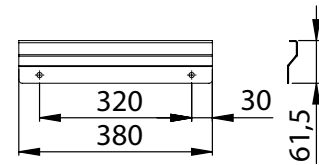
Top view



Front view

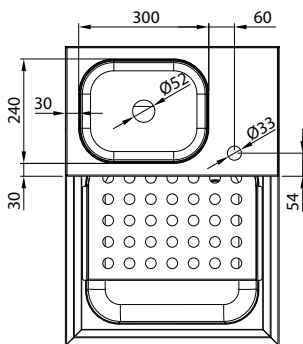


Side view

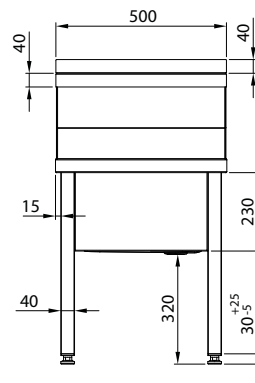


Connecting strip

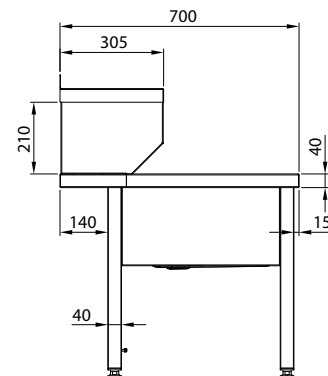
UTILITY WASHBASIN



Top view



Front view



Side view

# Storage cabinets



05

## 05 Storage cabinets

**146**

### STORAGE CABINET WITH SINK H=2000 MM

- built-in sink
- compartment size 320x300x150mm
- ventilation holes
- ø=35 mm tap hole in the middle of the compartment
- height adjustable shelf
- door direction can be changed
- optional lock assembly possible



Width W (mm)	Depth D=500 (mm)	
	Cat. No.	Price net (€)
500	<b>981465050</b>	<b>751</b>

**147**

### STORAGE CABINET WITH SINK H=2000 MM

- built-in sink
- compartment size 320x300x150mm
- ventilation holes
- ø=35 mm tap hole in the middle of the compartment
- height adjustable shelf
- optional lock assembly possible



Width W (mm)	Depth D=500 (mm)	
	Cat. No.	Price net (€)
1000	<b>981475100</b>	<b>1123</b>

**148**

### STORAGE CABINET, HINGED DOOR H=1800 MM

- three height adjustable shelves
- door direction can be changed
- optional lock assembly possible



Width W (mm)	Depth D=500 (mm)		Depth D=600 (mm)		Depth D=700 (mm)	
	Cat. No.	Price net (€)	Cat. No.	Price net (€)	Cat. No.	Price net (€)
400	<b>981485040</b>	<b>794</b>	<b>981486040</b>	<b>845</b>	<b>981487040</b>	<b>897</b>
500	<b>981485050</b>	<b>868</b>	<b>981486050</b>	<b>926</b>	<b>981487050</b>	<b>978</b>
600	<b>981485060</b>	<b>943</b>	<b>981486060</b>	<b>1001</b>	<b>981487060</b>	<b>1064</b>

**149**

### STORAGE CABINET, HINGED DOOR H=2000 MM

- three height adjustable shelves
- door direction can be changed
- optional lock assembly possible



Width W (mm)	Depth D=500 (mm)		Depth D=600 (mm)		Depth D=700 (mm)	
	Cat. No.	Price net (€)	Cat. No.	Price net (€)	Cat. No.	Price net (€)
400	<b>981495040</b>	<b>845</b>	<b>981496040</b>	<b>897</b>	<b>981497040</b>	<b>949</b>
500	<b>981495050</b>	<b>920</b>	<b>981496050</b>	<b>978</b>	<b>981497050</b>	<b>1041</b>
600	<b>981495060</b>	<b>1001</b>	<b>981496060</b>	<b>1064</b>	<b>981497060</b>	<b>1127</b>

**150**

**DOUBLE-SIDED CABINET, HINGED DOORS  
H=1800 MM**

- the higher and the lower shelves have adjustable height
- door direction can be changed
- optional lock assembly possible



Width W (mm)	Depth D=500 (mm)		Depth D=600 (mm)		Depth D=700 (mm)	
	Cat. No.	Price net (€)	Cat. No.	Price net (€)	Cat. No.	Price net (€)
400	<b>981505040</b>	<b>880</b>	<b>981506040</b>	<b>932</b>	<b>981507040</b>	<b>983</b>
500	<b>981505050</b>	<b>960</b>	<b>981506050</b>	<b>1012</b>	<b>981507050</b>	<b>1064</b>
600	<b>981505060</b>	<b>1035</b>	<b>981506060</b>	<b>1093</b>	<b>981507060</b>	<b>1156</b>

**151**

**DOUBLE-SIDED CABINET, HINGED DOORS  
H=2000 MM**

- the higher and the lower shelves have adjustable height
- door direction can be changed
- optional lock assembly possible



Width W (mm)	Depth D=500 (mm)		Depth D=600 (mm)		Depth D=700 (mm)	
	Cat. No.	Price net (€)	Cat. No.	Price net (€)	Cat. No.	Price net (€)
400	<b>981510400</b>	<b>932</b>	<b>981516040</b>	<b>989</b>	<b>981517040</b>	<b>1041</b>
500	<b>981510500</b>	<b>1018</b>	<b>981516050</b>	<b>1075</b>	<b>981517050</b>	<b>1133</b>
600	<b>981510600</b>	<b>1098</b>	<b>981516060</b>	<b>1162</b>	<b>981517060</b>	<b>1225</b>

**152**

**STORAGE CABINET WITH HINGED DOORS  
H=1800 MM**

- three height adjustable shelves
- optional lock assembly possible



Width W (mm)	Depth D=500 (mm)		Depth D=600 (mm)		Depth D=700 (mm)	
	Cat. No.	Price net (€)	Cat. No.	Price net (€)	Cat. No.	Price net (€)
700	<b>981525070</b>	<b>1064</b>	<b>981526070</b>	<b>1127</b>	<b>981527070</b>	<b>1190</b>
800	<b>981525080</b>	<b>1139</b>	<b>981526080</b>	<b>1208</b>	<b>981527080</b>	<b>1277</b>
900	<b>981525090</b>	<b>1213</b>	<b>981526090</b>	<b>1288</b>	<b>981527090</b>	<b>1357</b>
1000	<b>981525100</b>	<b>1288</b>	<b>981526100</b>	<b>1363</b>	<b>981527100</b>	<b>1443</b>
1100	<b>981525110</b>	<b>1363</b>	<b>981526110</b>	<b>1443</b>	<b>981527110</b>	<b>1524</b>
1200	<b>981525120</b>	<b>1438</b>	<b>981526120</b>	<b>1526</b>	<b>981527120</b>	<b>1610</b>

**153**

**STORAGE CABINET WITH HINGED DOORS  
H=2000 MM**

- three height adjustable shelves
- optional lock assembly possible



Width W (mm)	Depth D=500 (mm)		Depth D=600 (mm)		Depth D=700 (mm)	
	Cat. No.	Price net (€)	Cat. No.	Price net (€)	Cat. No.	Price net (€)
700	<b>981535070</b>	<b>1127</b>	<b>981536070</b>	<b>1196</b>	<b>981537070</b>	<b>1265</b>
800	<b>981535080</b>	<b>1213</b>	<b>981536080</b>	<b>1282</b>	<b>981537080</b>	<b>1357</b>
900	<b>981535090</b>	<b>1294</b>	<b>981536090</b>	<b>1369</b>	<b>981537090</b>	<b>1443</b>
1000	<b>981535100</b>	<b>1369</b>	<b>981536100</b>	<b>1455</b>	<b>981537100</b>	<b>1535</b>
1100	<b>981535110</b>	<b>1455</b>	<b>981536110</b>	<b>1535</b>	<b>981537110</b>	<b>1622</b>
1200	<b>981535120</b>	<b>1541</b>	<b>981536120</b>	<b>1622</b>	<b>981537120</b>	<b>1714</b>

## 05 Storage cabinets

154

### DOUBLE-SIDED CABINET WITH HINGED DOORS H=1800 MM

- the higher and the lower shelves have adjustable height
- optional lock assembly possible



Width W (mm)	Depth D=500 (mm)		Depth D=600 (mm)		Depth D=700 (mm)	
	Cat. No.	Price net (€)	Cat. No.	Price net (€)	Cat. No.	Price net (€)
700	981545070	1248	981546070	1311	981547070	1374
800	981545080	1340	981546080	1409	981547080	1478
900	981545090	1432	981546090	1507	981547090	1576
1000	981545100	1524	981546100	1599	981547100	1679
1100	981545110	1616	981546110	1696	981547110	1783
1200	981545120	1714	981546120	1800	981547120	1886

155

### DOUBLE-SIDED CABINET WITH HINGED DOORS H=2000 MM

- the higher and the lower shelves have adjustable height
- optional lock assembly possible



Width W (mm)	Depth D=500 (mm)		Depth D=600 (mm)		Depth D=700 (mm)	
	Cat. No.	Price net (€)	Cat. No.	Price net (€)	Cat. No.	Price net (€)
700	981555070	1334	981556070	1403	981557070	1466
800	981555080	1435	981556080	1507	981557080	1576
900	981555090	1535	981556090	1610	981557090	1685
1000	981555100	1636	981556100	1714	981557100	1794
1100	981555110	1737	981556110	1823	981557110	1903
1200	981555120	1840	981556120	1926	981557120	2013

156

### STORAGE CABINET WITH HINGED DOORS H=1800 MM

- the higher and the lower shelves have adjustable height
- optional lock assembly possible



Width W (mm)	Depth D=500 (mm)		Depth D=600 (mm)		Depth D=700 (mm)	
	Cat. No.	Price net (€)	Cat. No.	Price net (€)	Cat. No.	Price net (€)
700	981565070	955	981566070	1010	981567070	1065
800	981565080	1020	981566080	1075	981567080	1135
900	981565090	1085	981566090	1145	981567090	1205
1000	981565100	1150	981566100	1215	981567100	1280
1100	981565110	1215	981566110	1285	981567110	1350
1200	981565120	1280	981566120	1350	981567120	1430

157

### STORAGE CABINET WITH HINGED DOORS H=2000 MM

- two height adjustable shelves
- optional lock assembly possible



Width W (mm)	Depth D=500 (mm)		Depth D=600 (mm)		Depth D=700 (mm)	
	Cat. No.	Price net (€)	Cat. No.	Price net (€)	Cat. No.	Price net (€)
700	981575070	1015	981576070	1070	981577070	1130
800	981575080	1085	981576080	1145	981577080	1205
900	981575090	1155	981576090	1220	981577090	1285
1000	981575100	1220	981576100	1290	981577100	1360
1100	981575110	1290	981576110	1365	981577110	1435
1200	981575120	1360	981576120	1440	981577120	1515

**158****DOUBLE-SIDED CABINET WITH HINGED DOORS  
H=1800 MM**

- the higher and the lower shelves have adjustable height
- optional lock assembly possible



Width W (mm)	Depth D=500 (mm)		Depth D=600 (mm)		Depth D=700 (mm)	
	Cat. No.	Price net (€)	Cat. No.	Price net (€)	Cat. No.	Price net (€)
700	<b>981585070</b>	<b>1285</b>	<b>981586070</b>	<b>1350</b>	<b>981587070</b>	<b>1415</b>
800	<b>981585080</b>	<b>1380</b>	<b>981586080</b>	<b>1451</b>	<b>981587080</b>	<b>1522</b>
900	<b>981585090</b>	<b>1475</b>	<b>981586090</b>	<b>1552</b>	<b>981587090</b>	<b>1623</b>
1000	<b>981585100</b>	<b>1570</b>	<b>981586100</b>	<b>1647</b>	<b>981587100</b>	<b>1729</b>
1100	<b>981585110</b>	<b>1664</b>	<b>981586110</b>	<b>1747</b>	<b>981587110</b>	<b>1836</b>
1200	<b>981585120</b>	<b>1765</b>	<b>981586120</b>	<b>1854</b>	<b>981587120</b>	<b>1943</b>

**159****DOUBLE-SIDED CABINET WITH HINGED DOORS  
H=2000 MM**

- the higher and the lower shelves have adjustable height
- optional lock assembly possible



Width W (mm)	Depth D=500 (mm)		Depth D=600 (mm)		Depth D=700 (mm)	
	Cat. No.	Price net (€)	Cat. No.	Price net (€)	Cat. No.	Price net (€)
700	<b>981595070</b>	<b>1374</b>	<b>981596070</b>	<b>1445</b>	<b>981597070</b>	<b>1510</b>
800	<b>981595080</b>	<b>1478</b>	<b>981596080</b>	<b>1552</b>	<b>981597080</b>	<b>1623</b>
900	<b>981595090</b>	<b>1581</b>	<b>981596090</b>	<b>1658</b>	<b>981597090</b>	<b>1736</b>
1000	<b>981595100</b>	<b>1685</b>	<b>981596100</b>	<b>1765</b>	<b>981597100</b>	<b>1848</b>
1100	<b>981595110</b>	<b>1789</b>	<b>981596110</b>	<b>1878</b>	<b>981597110</b>	<b>1960</b>
1200	<b>981595120</b>	<b>1895</b>	<b>981596120</b>	<b>1984</b>	<b>981597120</b>	<b>2073</b>

**160****STORAGE CABINET, SLIDING DOORS  
H=1800 MM**

- three height adjustable shelves
- optional lock assembly possible



Width W (mm)	Depth D=500 (mm)		Depth D=600 (mm)		Depth D=700 (mm)	
	Cat. No.	Price net (€)	Cat. No.	Price net (€)	Cat. No.	Price net (€)
800	<b>981605080</b>	<b>1150</b>	<b>981606080</b>	<b>1220</b>	<b>981607080</b>	<b>1290</b>
900	<b>981605090</b>	<b>1225</b>	<b>981606090</b>	<b>1301</b>	<b>981607090</b>	<b>1371</b>
1000	<b>981605100</b>	<b>1301</b>	<b>981606100</b>	<b>1377</b>	<b>981607100</b>	<b>1457</b>
1100	<b>981605110</b>	<b>1377</b>	<b>981606110</b>	<b>1457</b>	<b>981607110</b>	<b>1539</b>
1200	<b>981605120</b>	<b>1452</b>	<b>981606120</b>	<b>1541</b>	<b>981607120</b>	<b>1626</b>

**161****STORAGE CABINET, SLIDING DOORS  
H=2000 MM**

- three height adjustable shelves
- optional lock assembly possible



Width W (mm)	Depth D=500 (mm)		Depth D=600 (mm)		Depth D=700 (mm)	
	Cat. No.	Price net (€)	Cat. No.	Price net (€)	Cat. No.	Price net (€)
800	<b>981615080</b>	<b>1070</b>	<b>981616080</b>	<b>1125</b>	<b>981617080</b>	<b>1185</b>
900	<b>981615090</b>	<b>1135</b>	<b>981616090</b>	<b>1200</b>	<b>981617090</b>	<b>1265</b>
1000	<b>981615100</b>	<b>1210</b>	<b>981616100</b>	<b>1275</b>	<b>981617100</b>	<b>1340</b>
1100	<b>981615110</b>	<b>1275</b>	<b>981616110</b>	<b>1350</b>	<b>981617110</b>	<b>1420</b>
1200	<b>981615120</b>	<b>1350</b>	<b>981616120</b>	<b>1425</b>	<b>981617120</b>	<b>1500</b>

## 05 Storage cabinets

**162**

### DOUBLE-SIDED CABINET, SLIDING DOORS H=1800 MM

- two height adjustable shelves
- optional lock assembly possible



Width W (mm)	Depth D=500 (mm)		Depth D=600 (mm)		Depth D=700 (mm)	
	Cat. No.	Price net (€)	Cat. No.	Price net (€)	Cat. No.	Price net (€)
800	981625080	1440	981626080	1506	981627080	1578
900	981625090	1530	981626090	1602	981627090	1674
1000	981625100	1620	981626100	1692	981627100	1770
1100	981625110	1704	981626110	1788	981627110	1872
1200	981625120	1794	981626120	1884	981627120	1978

**163**

### DOUBLE-SIDED CABINET, SLIDING DOORS H=2000 MM

- the higher and the lower shelves have adjustable height
- optional lock assembly possible



Width W (mm)	Depth D=500 (mm)		Depth D=600 (mm)		Depth D=700 (mm)	
	Cat. No.	Price net (€)	Cat. No.	Price net (€)	Cat. No.	Price net (€)
800	981635080	1524	981636080	1596	981637080	1668
900	981635090	1620	981636090	1692	981637090	1770
1000	981635100	1716	981636100	1794	981637100	1872
1100	981635110	1806	981636110	1896	981637110	1980
1200	981635120	1902	981636120	2002	981637120	2092

**164**

### STORAGE CABINET, SLIDING DOORS H=1800 MM

- two height adjustable shelves
- optional lock assembly possible



Width W (mm)	Depth D=500 (mm)		Depth D=600 (mm)		Depth D=700 (mm)	
	Cat. No.	Price net (€)	Cat. No.	Price net (€)	Cat. No.	Price net (€)
800	981645080	1140	981646080	1200	981647080	1255
900	981645090	1210	981646090	1270	981647090	1330
1000	981645100	1280	981646100	1345	981647100	1410
1100	981645110	1355	981646110	1420	981647110	1485
1200	981645120	1425	981646120	1495	981647120	1570

**165**

### STORAGE CABINET, SLIDING DOORS H=2000 MM

- two height adjustable shelves
- optional lock assembly possible



Width W (mm)	Depth D=500 (mm)		Depth D=600 (mm)		Depth D=700 (mm)	
	Cat. No.	Price net (€)	Cat. No.	Price net (€)	Cat. No.	Price net (€)
800	981655080	1200	981656080	1260	981657080	1320
900	981655090	1275	981656090	1340	981657090	1405
1000	981655100	1355	981656100	1420	981657100	1485
1100	981655110	1430	981656110	1500	981657110	1570
1200	981655120	1505	981656120	1580	981657120	1650



**166****DOUBLE-SIDED CABINET, SLIDING DOORS  
H=1800 MM**

- two height adjustable shelves
- optional lock assembly possible



Width W (mm)	Depth D=500 (mm)		Depth D=600 (mm)		Depth D=700 (mm)	
	Cat. No.	Price net (€)	Cat. No.	Price net (€)	Cat. No.	Price net (€)
800	<b>981665080</b>	<b>1564</b>	<b>981666080</b>	<b>1634</b>	<b>981667080</b>	<b>1694</b>
900	<b>981665090</b>	<b>1662</b>	<b>981666090</b>	<b>1738</b>	<b>981667090</b>	<b>1804</b>
1000	<b>981665100</b>	<b>1760</b>	<b>981666100</b>	<b>1843</b>	<b>981667100</b>	<b>1909</b>
1100	<b>981665110</b>	<b>1858</b>	<b>981666110</b>	<b>1942</b>	<b>981667110</b>	<b>2013</b>
1200	<b>981665120</b>	<b>1958</b>	<b>981666120</b>	<b>2046</b>	<b>981667120</b>	<b>2121</b>

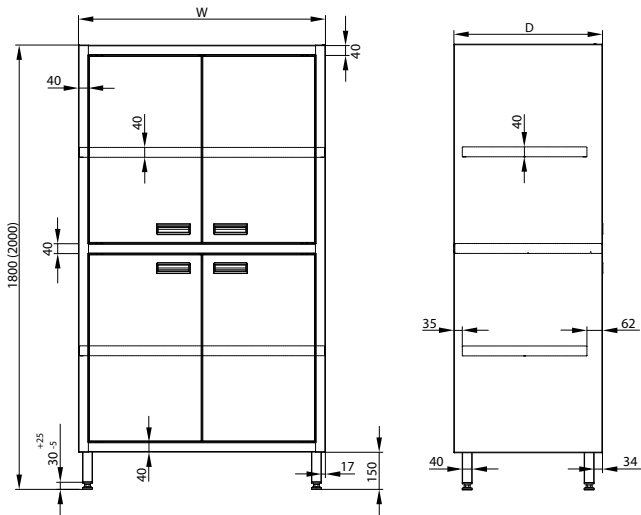
**167****DOUBLE-SIDED CABINET, SLIDING DOORS  
H=2000 MM**

- two height adjustable shelves
- optional lock assembly possible



Width W (mm)	Depth D=500 (mm)		Depth D=600 (mm)		Depth D=700 (mm)	
	Cat. No.	Price net (€)	Cat. No.	Price net (€)	Cat. No.	Price net (€)
800	<b>981675080</b>	<b>1661</b>	<b>981676080</b>	<b>1727</b>	<b>981677080</b>	<b>1788</b>
900	<b>981675090</b>	<b>1771</b>	<b>981676090</b>	<b>1837</b>	<b>981677090</b>	<b>1903</b>
1000	<b>981675100</b>	<b>1876</b>	<b>981676100</b>	<b>1942</b>	<b>981677100</b>	<b>2013</b>
1100	<b>981675110</b>	<b>1980</b>	<b>981676110</b>	<b>2052</b>	<b>981677110</b>	<b>2129</b>
1200	<b>981675120</b>	<b>2087</b>	<b>981676120</b>	<b>2165</b>	<b>981677120</b>	<b>2247</b>

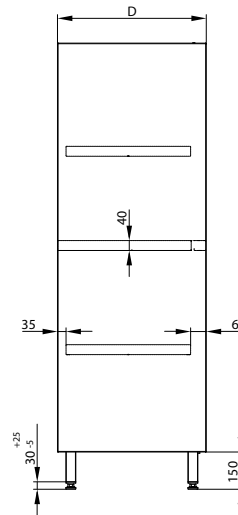
STORAGE CABINET, HINGED DOORS



Front view

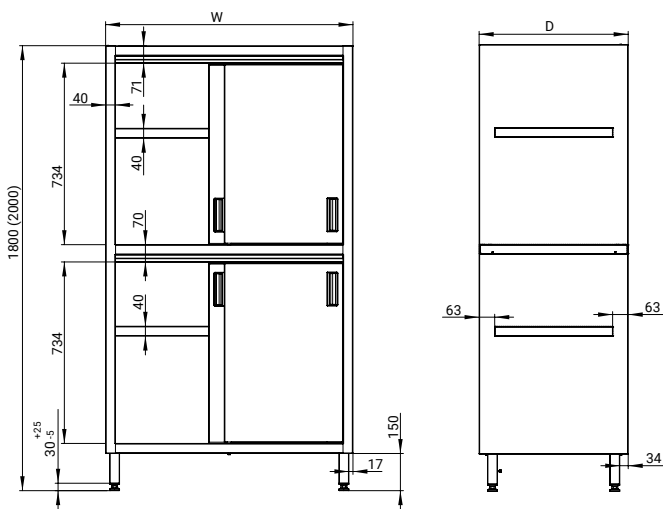
Side view

STORAGE CABINET, SLIDING DOORS



Side view

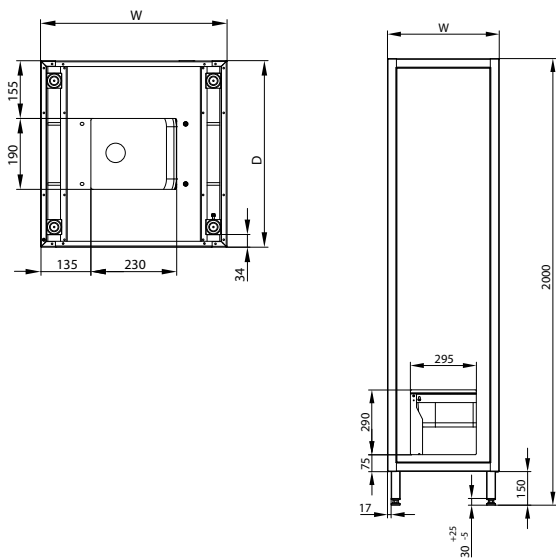
DOUBLE-SIDED CABINET, SLIDING DOORS



Front view

Side view

STORAGE CABINET WITH SINK



Bottom view

View from behind

# Cupboards



## 06 Cupboards

168

### OPEN HANGING CUPBOARD H=600 MM

- height adjustable shelf



Width W (mm)	Depth D=300 (mm)		Depth D=400 (mm)	
	Cat. No.	Price net (€)	Cat. No.	Price net (€)
400	981683040	200	981684040	220
500	981683050	215	981684050	235
600	981683060	225	981684060	245
700	981683070	240	981684070	260
800	981683080	250	981684080	270
900	981683090	260	981684090	285
1000	981683100	270	981684100	295
1100	981683110	285	981684110	310
1200	981683120	295	981684120	320
1300	981683130	305	981684130	335
1400	981683140	315	981684140	345
1500	981683150	330	981684150	360
1600	981683160	350	981684160	375

169

### HANGING CUPBOARD, HINGED DOOR H=600 MM

- height adjustable shelf
- optional lock assembly possible



Width W (mm)	Depth D=300 (mm)		Depth D=400 (mm)	
	Cat. No.	Price net (€)	Cat. No.	Price net (€)
400	981693040	225	981694040	244
500	981693050	245	981694050	264

170

### HANGING CUPBOARD, HINGED DOORS H=600 MM

- height adjustable shelf
- optional lock assembly possible



Width W (mm)	Depth D=300 (mm)		Depth D=400 (mm)	
	Cat. No.	Price net (€)	Cat. No.	Price net (€)
600	981703060	267	981704060	288
700	981703070	290	981704070	311
800	981703080	312	981704080	333
900	981703090	335	981704090	356
1000	981703100	356	981704100	379
1100	981703110	377	981704110	393
1200	981703120	396	981704120	407
1300	981703130	417	981704130	436

171

### HANGING CUPBOARD THREE WING DOORS H=600 MM

- height adjustable shelf
- optional lock assembly possible
- undivided internal space



Width W (mm)	Depth D=300 (mm)		Depth D=400 (mm)	
	Cat. No.	Price net (€)	Cat. No.	Price net (€)
1400	981713140	437	981714140	465
1500	981713150	459	981714150	489

172

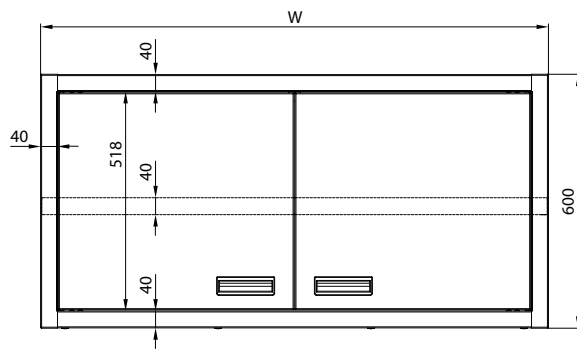
### HANGING CUPBOARD SLIDING DOORS H=600 MM

- height adjustable shelf
- optional lock assembly possible

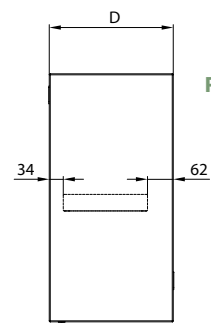


Width W (mm)	Depth D=300 (mm)		Depth D=400 (mm)	
	Cat. No.	Price net (€)	Cat. No.	Price net (€)
800	981723080	372	981724080	396
900	981723090	399	981724090	424
1000	981723100	424	981724100	451
1100	981723110	440	981724110	468
1200	981723120	456	981724120	485
1300	981723130	488	981724130	519
1400	981723140	520	981724140	553
1500	981723150	547	981724150	582
1600	981723160	573	981724160	610

**HANGING CUPBOARD WING DOORS**



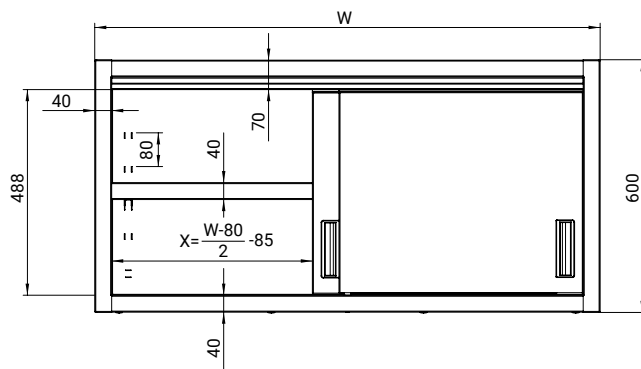
Front view



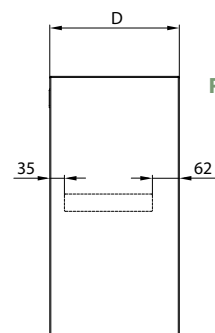
Front of the cabinet

Side view

**HANGING CUPBOARD SLIDING DOORS**



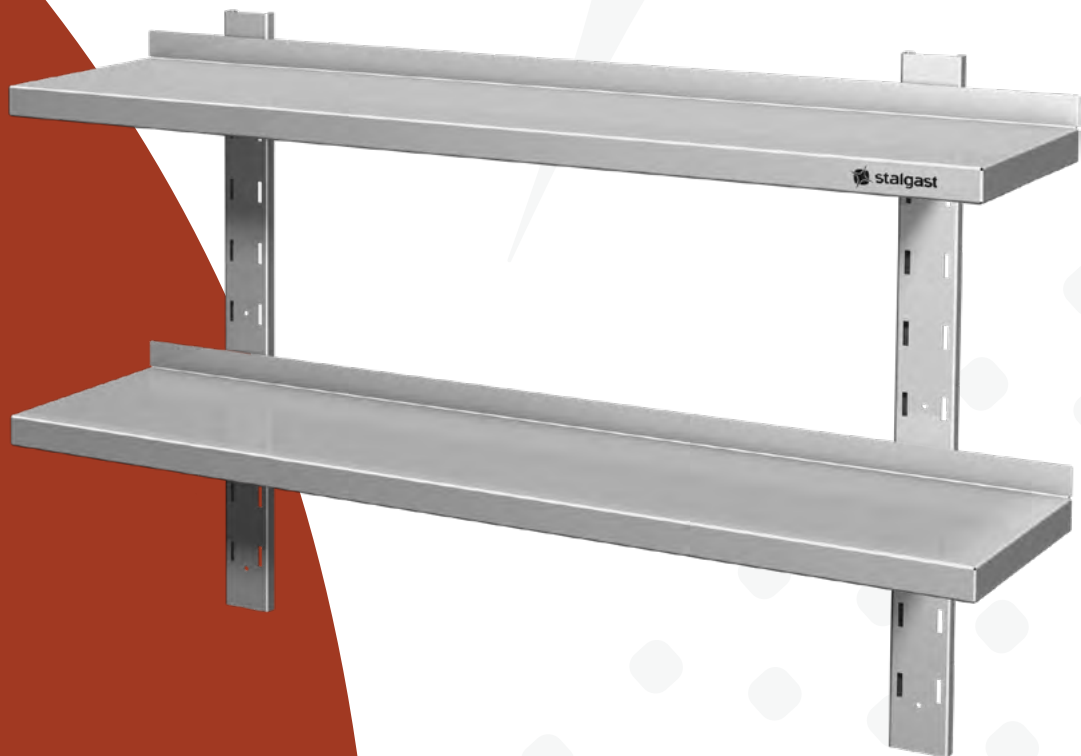
Front view



Front of the cabinet

Side view

# Wall shelves



**173**

**SINGLE CONSOLE SHELF  
H=170 MM**

- for assembly



Width W (mm)	Depth D=300 (mm)		Depth D=400 (mm)	
	Cat. No.	Price net (€)	Cat. No.	Price net (€)
600	981733060	93	981734060	105
700	981733070	97	981734070	110
800	981733080	101	981734080	114
900	981733090	104	981734090	118
1000	981733100	106	981734100	120
1100	981733110	109	981734110	123
1200	981733120	112	981734120	127
1300	981733130	120	981734130	136

**174**

**SINGLE CONSOLE SHELF  
H=170 MM**

- for assembly

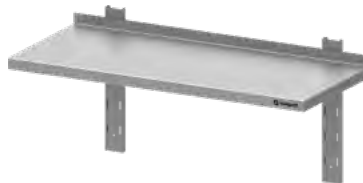


Width W (mm)	Depth D=300 (mm)		Depth D=400 (mm)	
	Cat. No.	Price net (€)	Cat. No.	Price net (€)
1400	981743140	127	981744140	144
1500	981743150	135	981744150	153
1600	981743160	143	981744160	162

**175**

**SINGLE ADJUSTABLE SHELF  
H=400 MM**

- easy to assemble



Width W (mm)	Depth D=300 (mm)		Depth D=400 (mm)	
	Cat. No.	Price net (€)	Cat. No.	Price net (€)
600	981753060	98	981754060	110
700	981753070	102	981754070	114
800	981753080	106	981754080	119
900	981753090	109	981754090	122
1000	981753100	112	981754100	125
1100	981753110	115	981754110	129
1200	981753120	118	981754120	132
1300	981753130	126	981754130	141

**176**

**SINGLE ADJUSTABLE SHELF  
H=400 MM**

- easy to assemble



Width W (mm)	Depth D=300 (mm)		Depth D=400 (mm)	
	Cat. No.	Price net (€)	Cat. No.	Price net (€)
1400	981763140	134	981764140	150
1500	981763150	142	981764150	159
1600	981763160	150	981764160	168

## 07 Wall shelves

**177**

### DOUBLE ADJUSTABLE SHELF H=660 MM

- easy to assemble

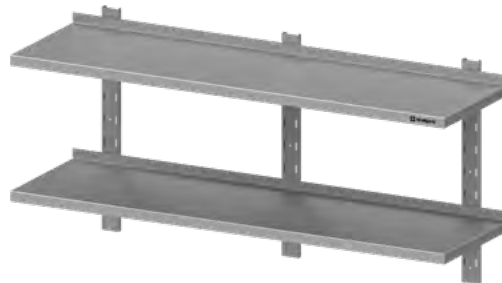


Width W (mm)	Depth D=300 (mm)		Depth D=400 (mm)	
	Cat. No.	Price net (€)	Cat. No.	Price net (€)
600	981773060	165	981774060	185
700	981773070	175	981774070	196
800	981773080	185	981774080	207
900	981773090	195	981774090	218
1000	981773100	205	981774100	230
1100	981773110	210	981774110	235
1200	981773120	215	981774120	241
1300	981773130	225	981774130	252

**178**

### DOUBLE ADJUSTABLE SHELF H=660 MM

- easy to assemble



Width W (mm)	Depth D=300 (mm)		Depth D=400 (mm)	
	Cat. No.	Price net (€)	Cat. No.	Price net (€)
1400	981783140	235	981784140	263
1500	981783150	245	981784150	274
1600	981783160	255	981784160	286

**179**

### TRIPLE ADJUSTABLE SHELF H=930 MM

- easy to assemble



Width W (mm)	Depth D=300 (mm)		Depth D=400 (mm)	
	Cat. No.	Price net (€)	Cat. No.	Price net (€)
600	981793060	246	981794060	276
700	981793070	261	981794070	292
800	981793080	276	981794080	309
900	981793090	291	981794090	326
1000	981793100	305	981794100	342
1100	981793110	320	981794110	358
1200	981793120	335	981794120	375
1300	981793130	350	981794130	392

**180**

### TRIPLE ADJUSTABLE SHELF H=930 MM

- easy to assemble



Width W (mm)	Depth D=300 (mm)		Depth D=400 (mm)	
	Cat. No.	Price net (€)	Cat. No.	Price net (€)
1400	981803140	365	981804140	409
1500	981803150	385	981804150	431
1600	981803160	400	981804160	448



**181**

**SINGLE SHELF  
H=250 MM**

- easy to assemble



Width W (mm)	Depth D=300 (mm)		Depth D=400 (mm)	
	Cat. No.	Price net (€)	Cat. No.	Price net (€)
600	<b>981813060</b>	<b>93</b>	<b>981814060</b>	<b>105</b>
700	<b>981813070</b>	<b>97</b>	<b>981814070</b>	<b>109</b>
800	<b>981813080</b>	<b>101</b>	<b>981814080</b>	<b>114</b>
900	<b>981813090</b>	<b>104</b>	<b>981814090</b>	<b>117</b>
1000	<b>981813100</b>	<b>107</b>	<b>981814100</b>	<b>120</b>
1100	<b>981813110</b>	<b>110</b>	<b>981814110</b>	<b>124</b>
1200	<b>981813120</b>	<b>113</b>	<b>981814120</b>	<b>127</b>
1300	<b>981813130</b>	<b>121</b>	<b>981814130</b>	<b>136</b>

**182**

**SINGLE SHELF  
H=250 MM**

- easy to assemble



Width W (mm)	Depth D=300 (mm)		Depth D=400 (mm)	
	Cat. No.	Price net (€)	Cat. No.	Price net (€)
1400	<b>981823140</b>	<b>129</b>	<b>981824140</b>	<b>145</b>
1500	<b>981823150</b>	<b>137</b>	<b>981824150</b>	<b>154</b>
1600	<b>981823160</b>	<b>145</b>	<b>981824160</b>	<b>163</b>

**183**

**DOUBLE SHELF, WELDED  
H=390 MM**

- easy to assemble



Width W (mm)	Depth D=300 (mm)		Depth D=400 (mm)	
	Cat. No.	Price net (€)	Cat. No.	Price net (€)
600	<b>981833060</b>	<b>155</b>	<b>981834060</b>	<b>175</b>
700	<b>981833070</b>	<b>165</b>	<b>981834070</b>	<b>186</b>
800	<b>981833080</b>	<b>175</b>	<b>981834080</b>	<b>197</b>
900	<b>981833090</b>	<b>185</b>	<b>981834090</b>	<b>208</b>
1000	<b>981833100</b>	<b>195</b>	<b>981834100</b>	<b>220</b>
1100	<b>981833110</b>	<b>200</b>	<b>981834110</b>	<b>225</b>
1200	<b>981833120</b>	<b>205</b>	<b>981834120</b>	<b>231</b>
1300	<b>981833130</b>	<b>215</b>	<b>981834130</b>	<b>242</b>

**184**

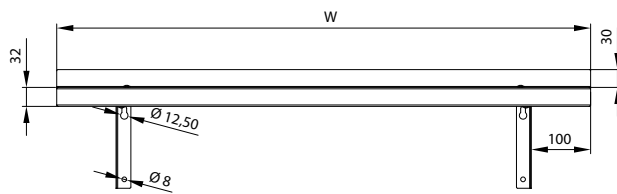
**DOUBLE SHELF, WELDED  
H=390 MM**

- easy to assemble

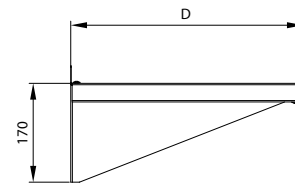


Width W (mm)	Depth D=300 (mm)		Depth D=400 (mm)	
	Cat. No.	Price net (€)	Cat. No.	Price net (€)
1400	<b>981843140</b>	<b>225</b>	<b>981844140</b>	<b>253</b>
1500	<b>981843150</b>	<b>235</b>	<b>981844150</b>	<b>264</b>
1600	<b>981843160</b>	<b>245</b>	<b>981844160</b>	<b>276</b>

SINGLE CONSOLE SHELF

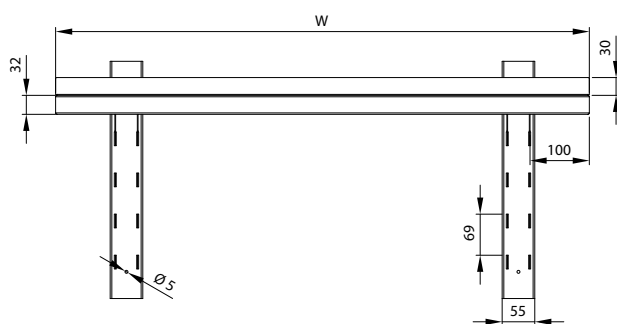


Front view

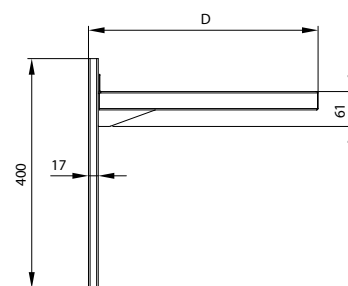


Side view

HANGING SHELF, ADJUSTABLE

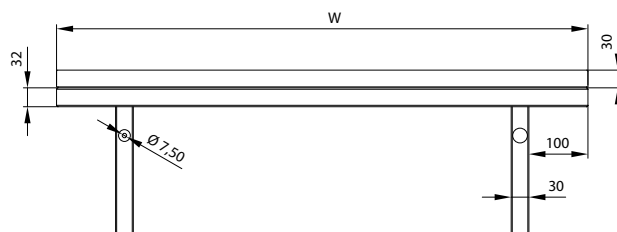


Front view

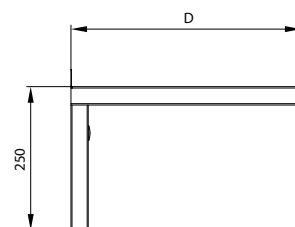


Side view

SINGLE SHELF

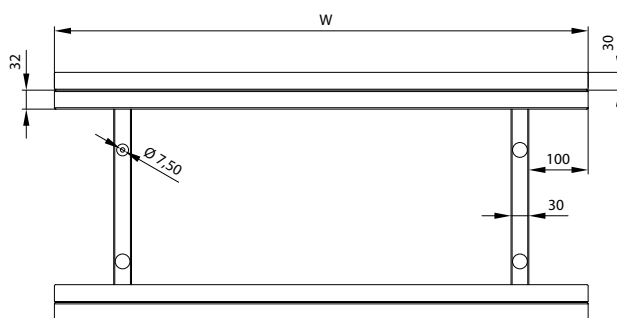


Front view

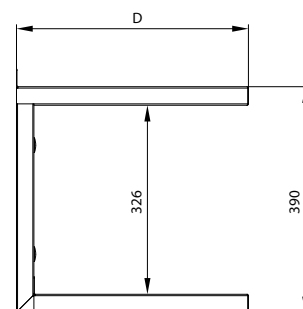


Side view

DOUBLE HANGING SHELF

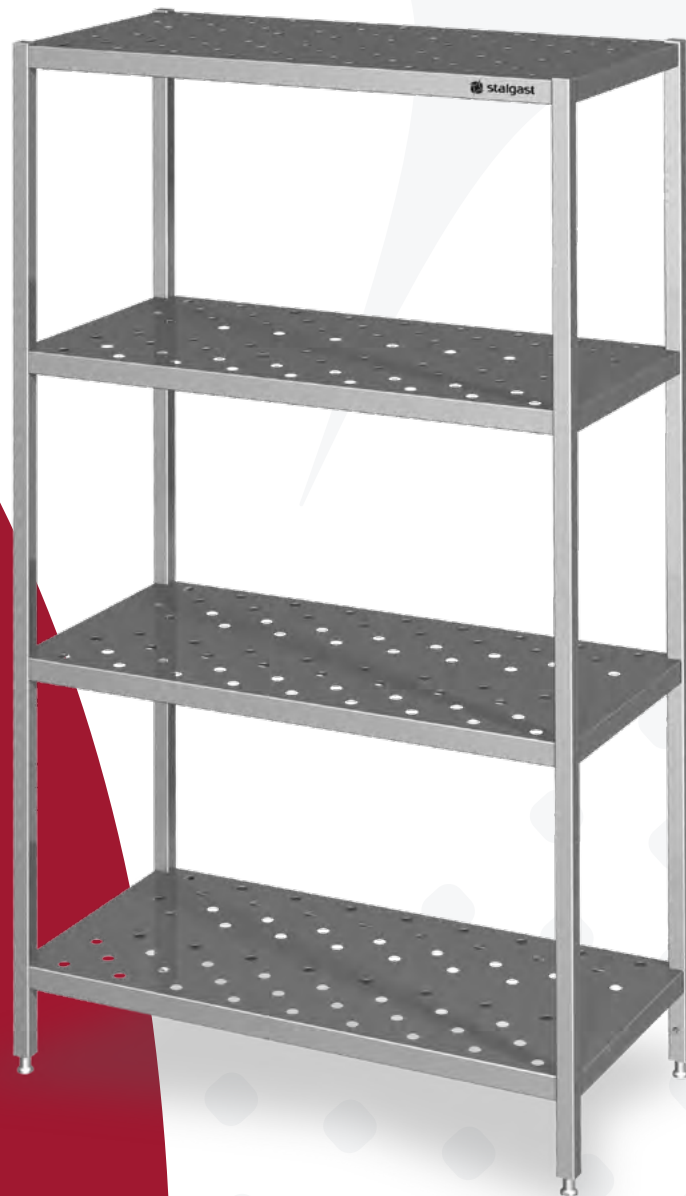


Front view



Side view

# Racks



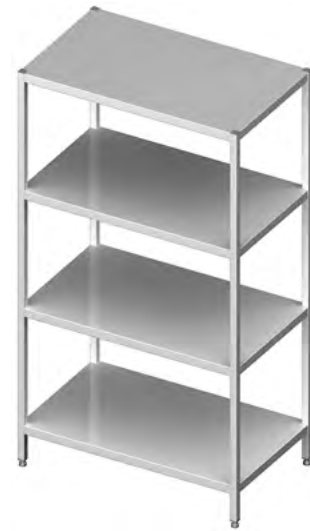
08

## 08 Racks

**185**

### STORAGE RACK SOLID SHELVES H=1800 MM

- for assembly
- legs made of 30x30 mm profile
- legs and shelves joined using screws
- maximum shelf load 70 kg/m<sup>2</sup>

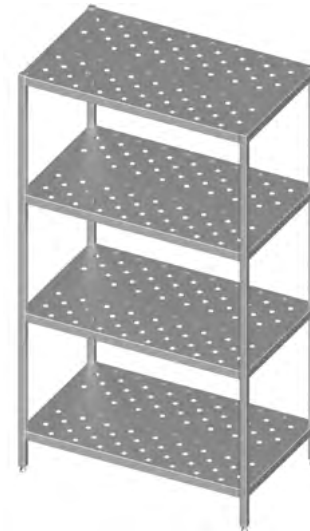


Width W (mm)	Depth D=400 (mm)		Depth D=500 (mm)		Depth D=600 (mm)		Depth D=700 (mm)	
	Cat. No.	Price net (€)	Cat. No.	Price net (€)	Cat. No.	Price net (€)	Cat. No.	Price net (€)
600	981854060	397	981855060	423	981856060	452	981857060	480
700	981854070	416	981855070	443	981856070	484	981857070	514
800	981854080	435	981855080	463	981856080	512	981857080	538
900	981854090	452	981855090	482	981856090	522	981857090	553
1000	981854100	470	981855100	501	981856100	537	981857100	575
1100	981854110	495	981855110	528	981856110	566	981857110	607
1200	981854120	520	981855120	555	981856120	595	981857120	638
1300	981854130	541	981855130	577	981856130	619	981857130	664
1400	981854140	561	981855140	599	981856140	642	981857140	689

**186**

### STORAGE RACK PERFORATED SHELVES H=1800 MM

- for assembly
- legs made of 30x30 mm profile
- legs and shelves joined using screws
- maximum shelf load 70 kg/m<sup>2</sup>

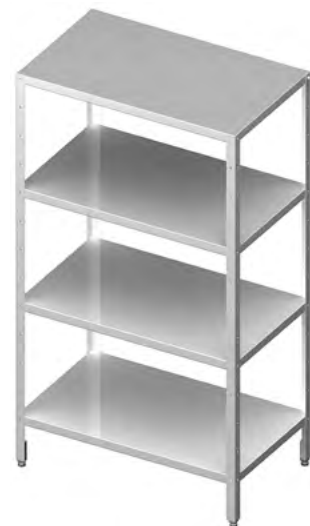


Width W (mm)	Depth D=400 (mm)		Depth D=500 (mm)		Depth D=600 (mm)		Depth D=700 (mm)	
	Cat. No.	Price net (€)	Cat. No.	Price net (€)	Cat. No.	Price net (€)	Cat. No.	Price net (€)
600	981864060	450	981865060	481	981866060	515	981867060	549
700	981864070	474	981865070	506	981866070	549	981867070	587
800	981864080	493	981865080	526	981866080	581	981867080	615
900	981864090	515	981865090	550	981866090	595	981867090	631
1000	981864100	533	981865100	569	981866100	610	981867100	653
1100	981864110	560	981865110	601	981866110	644	981867110	690
1200	981864120	584	981865120	628	981866120	673	981867120	721
1300	981864130	605	981865130	650	981866130	697	981867130	747
1400	981864140	630	981865140	677	981866140	725	981867140	777

**188**

### STORAGE RACK SOLID SHELVES H=1800 MM

- for assembly
- legs made of angle bar
- legs and shelves joined using screws
- W and D measurements do not include the screw head height
- height adjustable shelves
- maximum shelf load 70 kg/m<sup>2</sup>
- welded version can be added (extra charge)

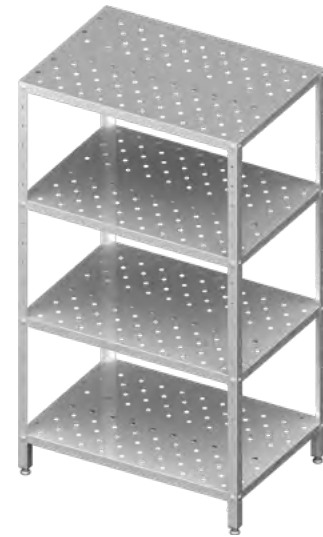


Width W (mm)	Depth D=400 (mm)		Depth D=500 (mm)		Depth D=600 (mm)		Depth D=700 (mm)	
	Cat. No.	Price net (€)	Cat. No.	Price net (€)	Cat. No.	Price net (€)	Cat. No.	Price net (€)
600	981884060	341	981885060	367	981886060	396	981887060	424
700	981884070	360	981885070	387	981886070	424	981887070	458
800	981884080	379	981885080	407	981886080	450	981887080	487
900	981884090	396	981885090	426	981886090	460	981887090	497
1000	981884100	414	981885100	445	981886100	481	981887100	519
1100	981884110	439	981885110	472	981886110	510	981887110	551
1200	981884120	464	981885120	499	981886120	539	981887120	582
1300	981884130	485	981885130	521	981886130	563	981887130	608
1400	981884140	505	981885140	543	981886140	586	981887140	633

**189**

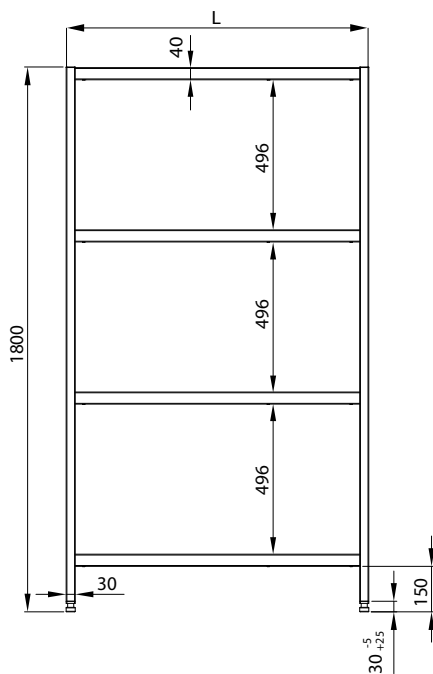
**STORAGE RACK PERFORATED SHELVES  
H=1800 MM**

- for assembly
- legs made of angle bar
- legs and shelves joined using screws
- W and D measurements do not include the screw head height
- height adjustable shelves
- maximum shelf load 70 kg/m<sup>2</sup>
- welded version can be added (extra charge)



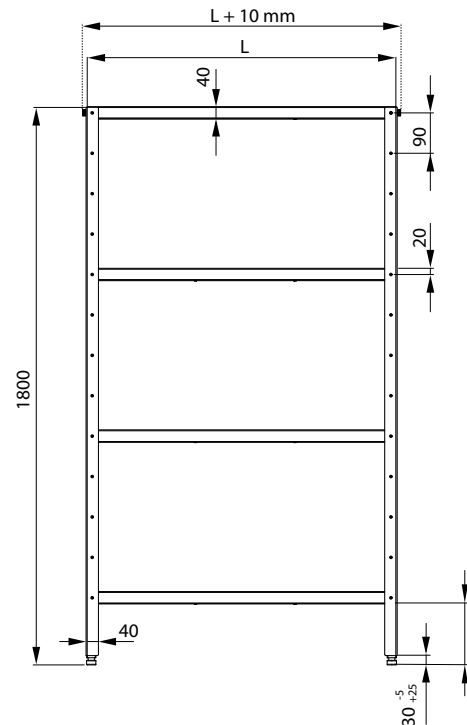
Width W (mm)	Depth D=400 (mm)		Depth D=500 (mm)		Depth D=600 (mm)		Depth D=700 (mm)	
	Cat. No.	Price net (€)	Cat. No.	Price net (€)	Cat. No.	Price net (€)	Cat. No.	Price net (€)
600	981894060	391	981895060	422	981896060	456	981897060	489
700	981894070	415	981895070	447	981896070	489	981897070	528
800	981894080	434	981895080	467	981896080	518	981897080	561
900	981894090	456	981895090	491	981896090	530	981897090	572
1000	981894100	474	981895100	510	981896100	551	981897100	594
1100	981894110	501	981895110	542	981896110	585	981897110	631
1200	981894120	525	981895120	569	981896120	614	981897120	662
1300	981894130	546	981895130	591	981896130	638	981897130	688
1400	981894140	571	981895140	618	981896140	666	981897140	718

**STORAGE RACK (LEGS MADE OF PROFILE)**



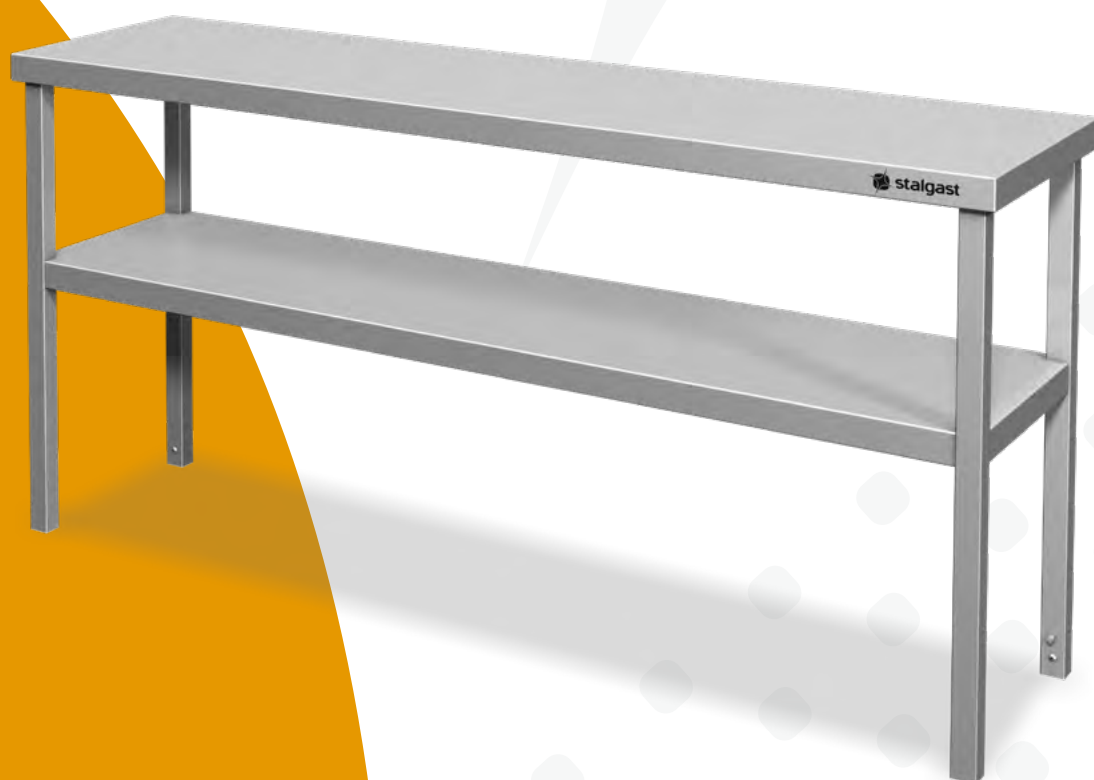
**Front view**

**STORAGE RACK (LEGS MADE OF ANGLE BAR)**



**Front view**

# Overshelves



191

**SINGLE OVERSHELF  
H=400 MM**

- welded
- strengthened shelf
- mounting elements included



Width W (mm)	Depth D=300 (mm)		Depth D=400 (mm)	
	Cat. No.	Price net (€)	Cat. No.	Price net (€)
600	981913060	100	981914060	105
700	981913070	103	981914070	108
800	981913080	105	981914080	113
900	981913090	108	981914090	116
1000	981913100	113	981914100	123
1100	981913110	116	981914110	131
1200	981913120	121	981914120	135
1300	981913130	128	981914130	138
1400	981913140	131	981914140	144

192

**SINGLE OVERSHELF  
H=400 MM**

- welded
- strengthened shelf
- mounting elements included



Width W (mm)	Depth D=300 (mm)		Depth D=400 (mm)	
	Cat. No.	Price net (€)	Cat. No.	Price net (€)
1500	981923150	133	981924150	149
1600	981923160	137	981924160	151
1700	981923170	144	981924170	160
1800	981923180	148	981924180	168
1900	981923190	154	981924190	177

193

**DOUBLE OVERSHELF  
H=700 MM**

- welded
- strengthened shelves
- mounting elements included



Width W (mm)	Depth D=300 (mm)		Depth D=400 (mm)	
	Cat. No.	Price net (€)	Cat. No.	Price net (€)
600	981933060	160	981934060	172
700	981933070	169	981934070	188
800	981933080	177	981934080	195
900	981933090	190	981934090	203
1000	981933100	195	981934100	215
1100	981933110	203	981934110	224
1200	981933120	213	981934120	236
1300	981933130	221	981934130	246
1400	981933140	231	981934140	254

194

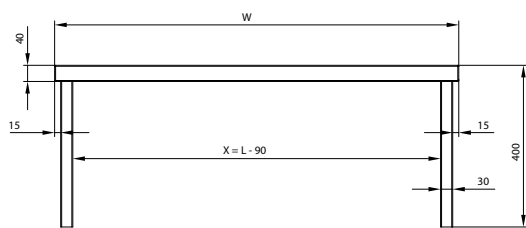
**DOUBLE OVERSHELF  
H=700 MM**

- welded
- strengthened shelves
- mounting elements included

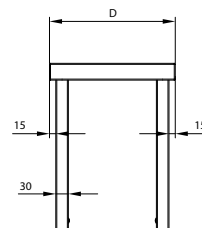


Width W (mm)	Depth D=300 (mm)		Depth D=400 (mm)	
	Cat. No.	Price net (€)	Cat. No.	Price net (€)
1500	981943150	236	981944150	266
1600	981943160	247	981944160	282
1700	981943170	254	981944170	295
1800	981943180	263	981944180	309
1900	981943190	278	981944190	328

SINGLE OVERSHELF

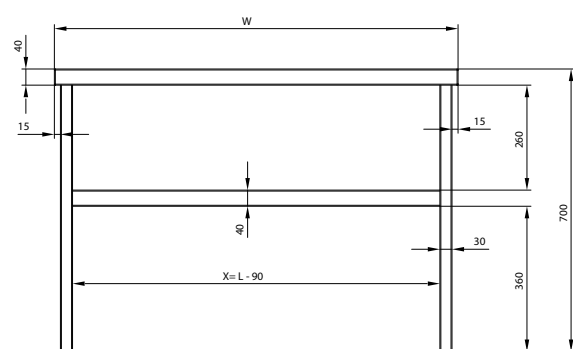


Front view

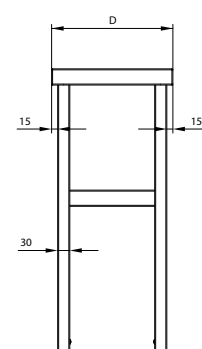


Side view

DOUBLE OVERSHELF



Front view



Side view



# Stands



## 10 Stands

196

### OVEN STAND

- welded structure
- runners for GN1/1



Cat. No.	Width W (mm)	Depth D (mm)	Height H (mm)	Price net (€)
tel. 660	460	730	506	
tel. 810	565	700	536	
tel. 850	750	750	562	
tel. 1050	770	750	554	
tel. 935	657	850	575	



Table above includes estimated prices. Contact us for quotes on stands for non-Stalgast ovens.



# Waste containers



## 11 Waste containers

197

### WASTE CONTAINER

H=680 MM

- welded
- the height includes the lid's handle
- side handle at one of the sides of the waste bin
- capacity 72 l



Depth D=350 (mm)		
Width W (mm)	Cat. No.	Price net (€)
350	<b>981973035</b>	<b>264</b>

234

### WASTE CONTAINER WITH TROLLEY

H=500 MM

- castors
- wheel casing - stainless steel
- the height includes the lid's handle
- side handle at one of the sides of the waste bin
- capacity 40 l



Depth D=350 (mm)		
Width W (mm)	Cat. No.	Price net (€)
350	<b>982343550</b>	<b>260</b>

# Trolleys

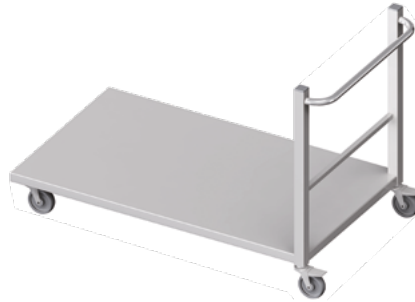


## 12 Trolleys

199

### TROLLEY WITH PLATFORM H=950 MM

- welded
- 4  $\phi=100$  mm castors - 2 fixed and 2 swivel with break from the handle side
- W and D dimensions according to the complete outline



Width W (mm)	Depth D=500 (mm)		Depth D=600 (mm)	
	Cat. No.	Price net (€)	Cat. No.	Price net (€)
800	981995080	304	981996080	325
900	981995090	314	981996090	344
1000	981995100	332	981996100	359
1100	981995110	347	981996110	374
1200	981995120	364	981996120	390

200

### TROLLEY WITH TWO SHELVES H=850 MM

- welded
- recessed shelves
- 4  $\phi=100$  mm castors - 2 with break from the handle side
- 4  $\phi=100$  mm castors - 2 with break from the handle side
- W and D dimensions according to the complete outline



Width W (mm)	Depth D=500 (mm)		Depth D=600 (mm)	
	Cat. No.	Price net (€)	Cat. No.	Price net (€)
800	982005080	329	982006080	353
900	982005090	347	982006090	370
1000	982005100	359	982006100	387
1100	982005110	372	982006110	402
1200	982005120	387	982006120	424

201

### TROLLEY WITH THREE SHELVES H=850 MM

- welded
- recessed shelves
- 4  $\phi=100$  mm castors - 2 with break from the handle side
- W and D dimensions according to the complete outline



Width W (mm)	Depth D=500 (mm)		Depth D=600 (mm)	
	Cat. No.	Price net (€)	Cat. No.	Price net (€)
800	982015080	429	982016080	463
900	982015090	450	982016090	491
1000	982015100	473	982016100	521
1100	982015110	497	982016110	546
1200	982015120	523	982016120	575

202

### WAITER TROLLEY WITH TWO SHELVES H=950 MM

- welded
- recessed shelves
- 4  $\phi=100$  mm castors - 2 with break from the handle side
- W and D dimensions according to the complete outline



Width W (mm)	Depth D=500 (mm)		Depth D=600 (mm)	
	Cat. No.	Price net (€)	Cat. No.	Price net (€)
800	982025080	250	982026080	276
900	982025090	264	982026090	293
1000	982025100	279	982026100	306
1100	982025110	296	982026110	323
1200	982025120	312	982026120	340

203

**WAITER TROLLEY WITH THREE SHELVES**  
**H=950 MM**

- welded
- recessed shelves
- 4 ø=100 mm castors - 2 with break from the handle side
- W and D dimensions according to the complete outline



Width W (mm)	Depth D=500 (mm)		Depth D=600 (mm)	
	Cat. No.	Price net (€)	Cat. No.	Price net (€)
800	<b>982035080</b>	<b>320</b>	<b>982036080</b>	<b>352</b>
900	<b>982035090</b>	<b>340</b>	<b>982036090</b>	<b>374</b>
1000	<b>982035100</b>	<b>356</b>	<b>982036100</b>	<b>400</b>
1100	<b>982035110</b>	<b>378</b>	<b>982036110</b>	<b>426</b>
1200	<b>982035120</b>	<b>400</b>	<b>982036120</b>	<b>448</b>

204

**TROLLEY WITH CABINET, SLIDING DOOR**  
**H=850 MM**

- welded
- recessed tabletop
- height adjustable shelf
- 4 ø=100 mm castors - 2 with break from the handle side
- W and D dimensions according to the complete outline



Width W (mm)	Depth D=600 (mm)	
	Cat. No.	Price net (€)
1000	<b>982046100</b>	<b>848</b>
1100	<b>982046110</b>	<b>878</b>
1200	<b>982046120</b>	<b>919</b>

205

**WAITER'S TROLLEY**  
**H=1100 MM**

- for assembly
- 4 ø=100 mm castors - 2 with break from the handle side
- maximum height of the GN ¼ containers up to 150 mm for W=655 mm - 4 GN containers
- for W=817 mm - 5 GN containers
- GN containers are sold separately

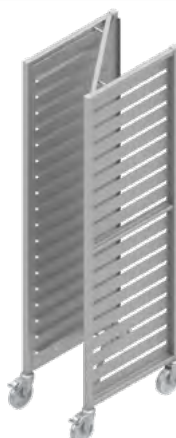


Cat. No.	Width W (mm)	Depth D (mm)	Price net (€)
<b>982055065</b>	655	500	<b>395</b>
<b>982055081</b>	817	500	<b>425</b>

1032 1033 1034

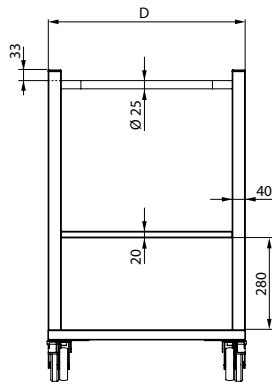
**MOBILE RACK**  
**H=1800 MM**

- welded
- 4 ø=100 mm castors - 2 with break
- W and D dimensions according to the complete outline

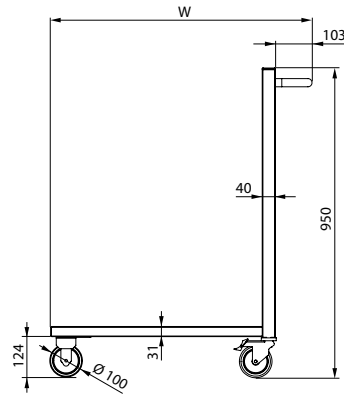


Cat. No.	Product	Width W (mm)	Depth D (mm)	Price net (€)
<b>9810325040</b>	Mobile rack for GN 1/1 containers	400	550	<b>680</b>
<b>9810336060</b>	Mobile rack for GN 2/1 containers	600	670	<b>740</b>
<b>9810346040</b>	Mobile rack for 600x400 trays	470	620	<b>790</b>

TROLLEY WITH PLATFORM

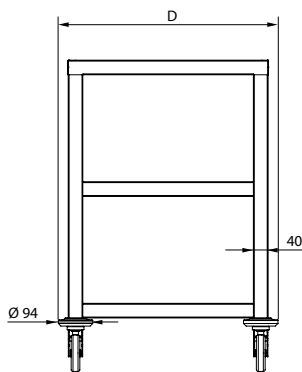


Front view

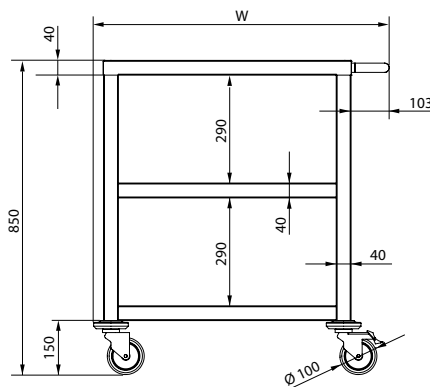


Side view

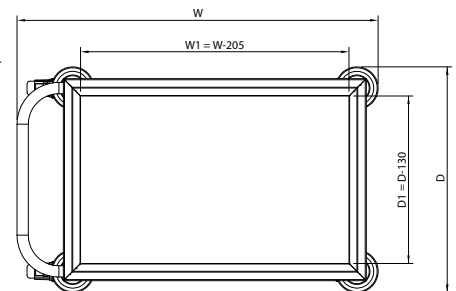
TROLLEY WITH THREE SHELVES



Front view

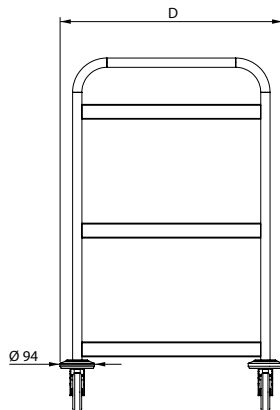


Side view

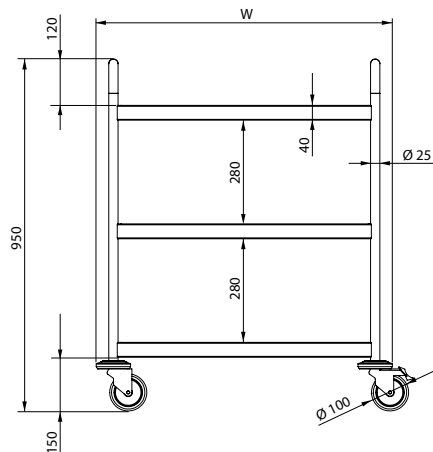


Top view

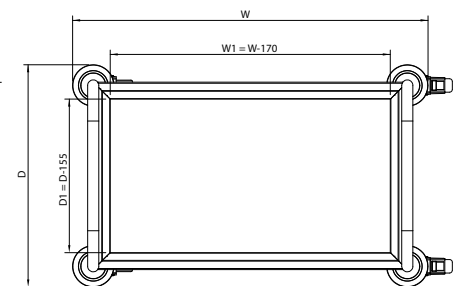
WAITER TROLLEY WITH THREE SHELVES



Front view



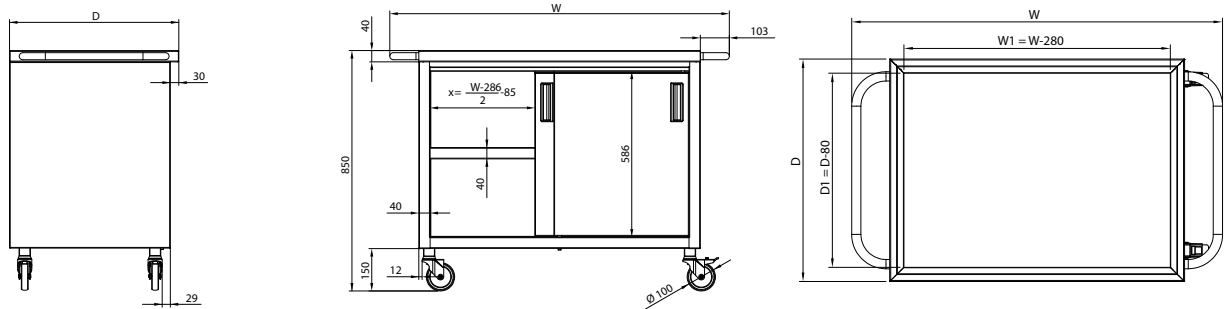
Side view



Top view



**TROLLEY WITH CABINET, SLIDING DOOR**

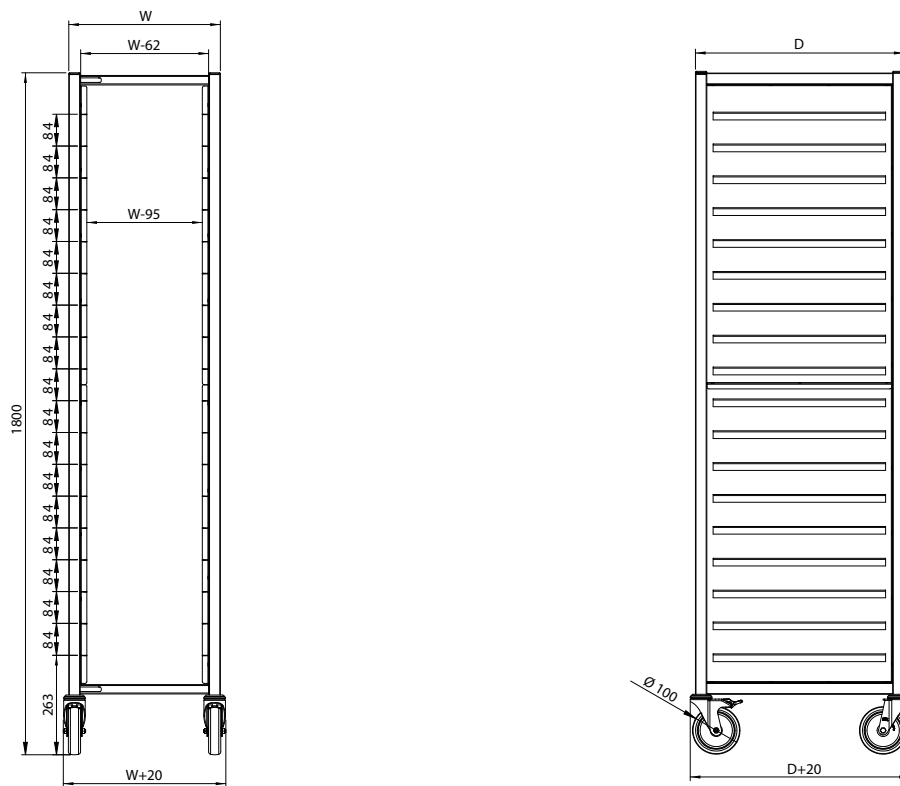


**Front view**

**Side view**

**Top view**

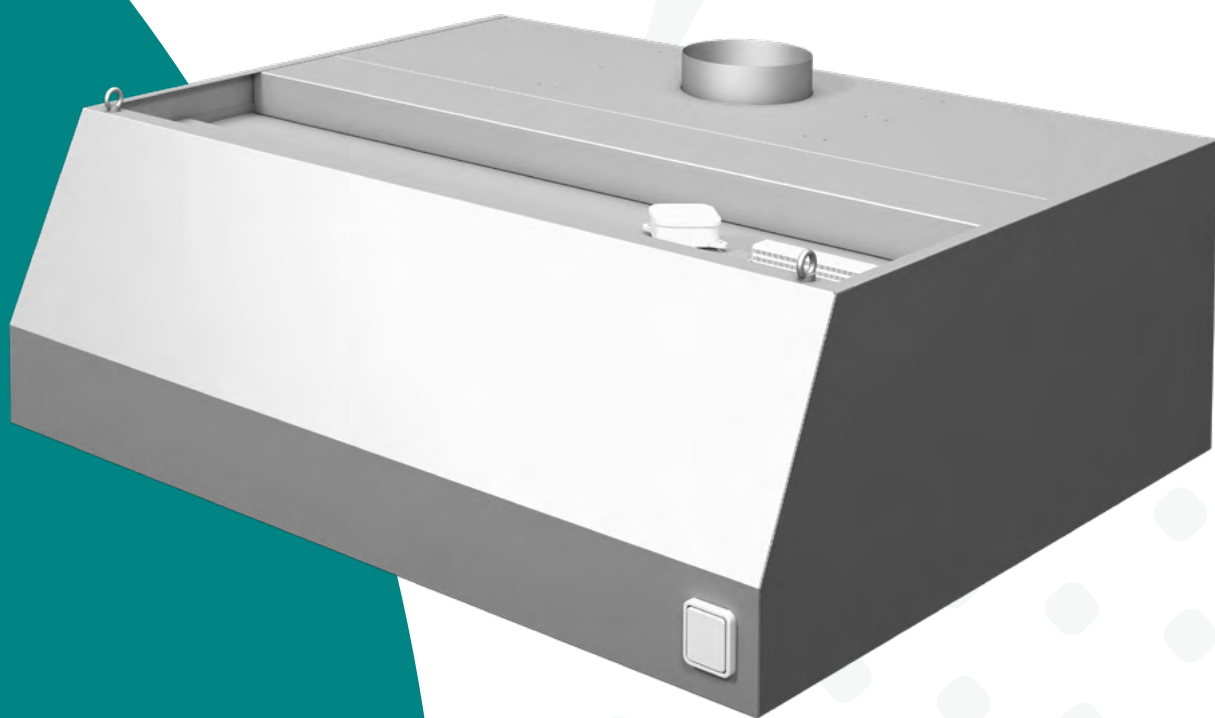
**MOBILE RACK**



**Front view**

**Side view**

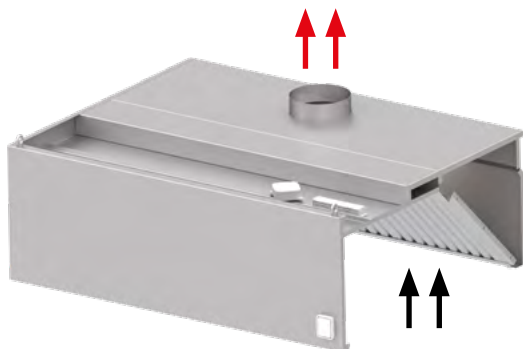
# Hoods



206

**WALL-MOUNTED BOX SHAPED HOOD**  
**H=450 MM**

- grease gutter with draining valve
- when W>2900 the hood is divided into two sections
- available supply/exhaust nozzles with a diameter of: 100, 150, 160, 200, 250, 300, 315 mm
- labyrinth filters (p. 121) and 24 V LED lighting (p. 121) - supplementary charge
- LED lighting with IP68 resistance
- 230 V power supply



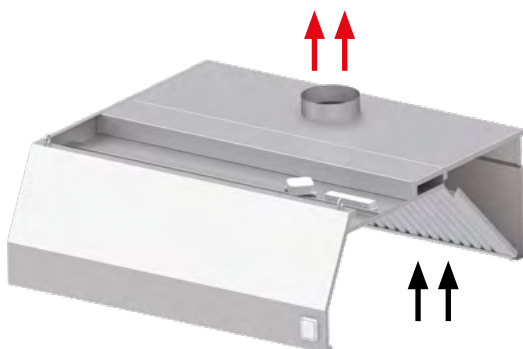
*i* NB: Order must include the number, diameter and placement of nozzles

Width W (mm)	Price net (€) for Depth D (mm)						
	D=600 (mm)	D=700 (mm)	D=800 (mm)	D=900 (mm)	D=1000 (mm)	D=1200 (mm)	D=1400 (mm)
1000	481	500	528	549	568	616	663
1100	497	526	547	568	590	635	682
1200	516	540	561	587	611	663	713
1300	538	559	583	609	630	682	732
1400	552	578	604	628	651	699	741
1500	568	594	618	649	673	722	772
1600	587	613	637	670	694	741	793
1700	604	630	656	682	713	767	822
1800	618	651	677	703	732	789	843
1900	637	670	699	722	753	815	876
2000	656	682	715	741	774	834	895
2100	673	703	732	765	796	855	917
2200	694	727	763	796	829	883	940
2300	713	753	789	829	860	912	964
2400	732	782	817	860	900	950	999
2500	753	803	843	895	931	978	1028
2600	774	829	864	924	966	1016	1068
2700	796	855	900	952	1002	1049	1097
2800	817	881	924	992	1040	1089	1142
2900	836	905	950	1023	1066	1113	1161
3000	943	1011	1061	1127	1175	1224	1277
3100	971	1042	1089	1158	1213	1260	1310
3200	1002	1075	1125	1196	1248	1298	1343
3300	1033	1108	1153	1234	1284	1336	1383
3400	1063	1137	1187	1267	1322	1367	1416
3500	1089	1170	1215	1296	1357	1404	1457
3600	1125	1198	1248	1331	1395	1445	1490
3700	1151	1229	1281	1371	1431	1483	1530
3800	1179	1260	1312	1402	1468	1513	1563
3900	1213	1293	1345	1438	1504	1551	1603
4000	1241	1322	1376	1468	1537	1587	1632
4100	1272	1355	1404	1504	1580	1632	1679
4200	1300	1383	1438	1537	1611	1656	1705
4300	1331	1416	1468	1577	1648	1696	1748
4400	1359	1445	1499	1608	1684	1734	1779
4500	1393	1480	1530	1644	1724	1776	1824
4600	1421	1509	1558	1672	1760	1805	1854
4700	1447	1539	1592	1710	1791	1838	1890
4800	1483	1577	1622	1743	1831	1881	1930
4900	1509	1606	1651	1776	1866	1918	1971
5000	1539	1637	1684	1814	1904	1954	2008

207

**WALL-MOUNTED TRAPEZOID HOOD**  
**H=450 MM**

- grease gutter with draining valve
- when W>2900 the hood is divided into two sections
- available supply/exhaust nozzles with a diameter of: 100, 150, 160, 200, 250, 300, 315 mm
- labyrinth filters (p. 121) and 24 V LED lighting (p. 121) - supplementary charge
- LED lighting with IP68 resistance
- 230 V power supply



*i* NB: Order must include the number, diameter and placement of nozzles

Width W (mm)	Price net (€) for Depth D (mm)				
	D=800 (mm)	D=900 (mm)	D=1000 (mm)	D=1100 (mm)	D=1200 (mm)
1000	516	538	561	583	611
1100	538	559	583	609	628
1200	557	578	604	623	651
1300	571	594	618	649	673
1400	590	616	644	670	694
1500	611	635	663	684	715
1600	628	654	682	706	737
1700	649	675	701	727	760
1800	663	694	718	746	774
1900	682	713	739	772	796
2000	701	727	760	789	819
2100	718	746	784	810	841
2200	737	767	798	829	860
2300	753	789	819	850	883
2400	774	805	836	864	905
2500	789	827	857	895	924
2600	810	843	879	909	945
2700	827	860	900	933	969
2800	848	883	919	950	992
2900	860	902	933	971	1009
3000	969	1009	1042	1082	1118
3100	1002	1042	1082	1118	1156
3200	1035	1075	1118	1153	1196
3300	1066	1111	1153	1194	1236
3400	1101	1146	1189	1229	1272
3500	1134	1177	1227	1267	1314
3600	1170	1213	1262	1303	1355
3700	1198	1246	1296	1345	1393
3800	1236	1281	1333	1378	1433
3900	1267	1314	1374	1416	1473
4000	1300	1352	1407	1447	1509
4100	1331	1383	1442	1492	1549
4200	1371	1416	1480	1528	1592
4300	1400	1447	1518	1563	1627
4400	1431	1487	1551	1601	1667
4500	1466	1521	1592	1641	1710
4600	1497	1556	1625	1672	1746
4700	1530	1587	1665	1712	1786
4800	1561	1622	1701	1753	1826
4900	1599	1653	1734	1788	1866
5000	1627	1693	1769	1826	1904



**210**

**TRAPEZOID CENTRAL HOOD  
H=450 MM**

- grease gutter with draining valve
- when W>2900 the hood is divided into two sections
- available supply/exhaust nozzles with a diameter of: 100, 150, 160, 200, 250, 300, 315 mm
- labyrinth filters (p. 121) and 24 V LED lighting (p. 121) - supplementary charge
- LED lighting with IP68 resistance
- 230 V power supply



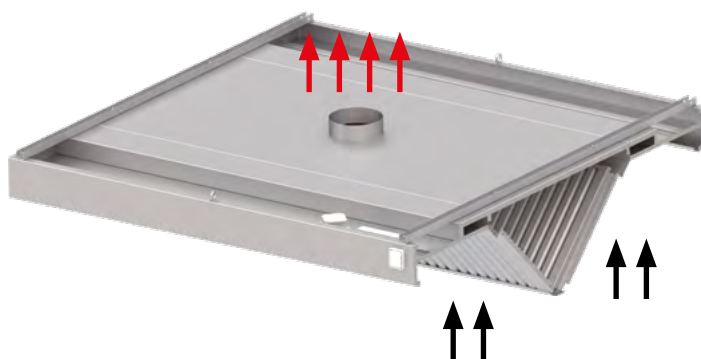
**i** NB: Order must include the number, diameter and placement of nozzles

Width W (mm)	Price net (€) for Depth D (mm)			
	D=1600 (mm)	D=1800 (mm)	D=2000 (mm)	D=2200 (mm)
1000	857	902	945	992
1100	883	931	973	1023
1200	909	959	1009	1056
1300	940	992	1040	1087
1400	969	1021	1068	1123
1500	995	1052	1101	1151
1600	1026	1078	1134	1187
1700	1054	1111	1158	1224
1800	1082	1137	1196	1255
1900	1111	1170	1227	1284
2000	1137	1196	1258	1314
2100	1168	1229	1288	1352
2200	1194	1258	1317	1381
2300	1224	1288	1352	1416
2400	1255	1314	1381	1445
2500	1281	1350	1414	1480
2600	1307	1376	1440	1509
2700	1333	1402	1476	1539
2800	1362	1433	1506	1580
2900	1393	1466	1537	1611
3000	1499	1577	1646	1719
3100	1549	1625	1703	1776
3200	1601	1679	1762	1845
3300	1648	1734	1819	1899
3400	1703	1788	1873	1961
3500	1755	1845	1935	2023
3600	1805	1892	1989	2082
3700	1854	1949	2051	2143
3800	1904	2001	2101	2205
3900	1959	2058	2165	2262
4000	2008	2110	2217	2326
4100	2058	2167	2276	2387
4200	2110	2217	2331	2447
4300	2160	2276	2390	2508
4400	2210	2326	2447	2570
4500	2262	2380	2506	2631
4600	2312	2435	2565	2688
4700	2364	2484	2619	2754
4800	2413	2544	2679	2814
4900	2466	2593	2736	2875
5000	2513	2650	2792	2934

**211**

**ANGLED CENTRAL HOOD  
H=450 MM**

- grease gutter with draining valve
- when W>2900 the hood is divided into two sections
- available supply/exhaust nozzles with a diameter of: 100, 150, 160, 200, 250, 300, 315 mm
- labyrinth filters (p. 121) and 24 V LED lighting (p. 121) - supplementary charge
- LED lighting with IP68 resistance
- 230 V power supply
- hood delivered without hanging brackets



**i** NB: Order must include the number, diameter and placement of nozzles

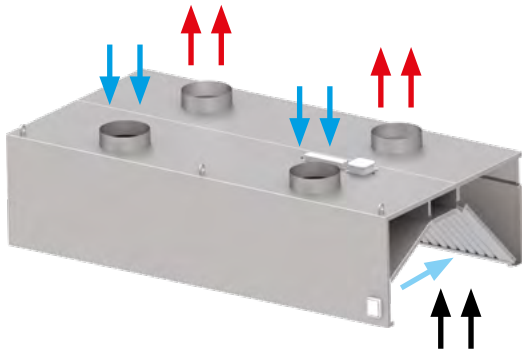
Width W (mm)	Price net (€) for Depth D (mm)						
	D=1200 (mm)	D=1500 (mm)	D=1600 (mm)	D=1800 (mm)	D=2000 (mm)	D=2200 (mm)	D=2400 (mm)
1000	727	796	817	860	905	947	992
1100	746	817	841	886	931	973	1023
1200	772	841	860	909	952	1002	1052
1300	789	860	886	933	983	1030	1078
1400	810	883	909	959	1009	1061	1111
1500	829	907	931	983	1035	1085	1137
1600	848	928	952	1009	1061	1113	1168
1700	864	947	973	1033	1087	1146	1196
1800	888	971	1002	1056	1113	1170	1227
1900	909	995	1023	1082	1144	1198	1260
2000	928	1016	1047	1108	1168	1227	1284
2100	947	1035	1066	1130	1189	1248	1307
2200	969	1056	1089	1153	1213	1277	1333
2300	992	1078	1118	1179	1241	1300	1359
2400	1011	1097	1137	1206	1267	1324	1383
2500	1033	1123	1158	1234	1291	1352	1407
2600	1054	1144	1179	1258	1314	1376	1433
2700	1075	1158	1206	1284	1345	1402	1464
2800	1092	1179	1229	1307	1371	1423	1487
2900	1118	1201	1255	1331	1393	1447	1509
3000	1224	1307	1359	1440	1499	1558	1620
3100	1267	1357	1407	1494	1556	1620	1679
3200	1307	1404	1464	1549	1618	1679	1743
3300	1355	1461	1509	1601	1670	1741	1812
3400	1400	1506	1561	1651	1729	1798	1873
3500	1440	1556	1618	1710	1786	1864	1937
3600	1487	1606	1665	1762	1845	1921	1999
3700	1530	1651	1715	1819	1899	1982	2065
3800	1577	1703	1764	1871	1959	2049	2124
3900	1620	1753	1819	1926	2013	2101	2188
4000	1665	1798	1871	1978	2072	2167	2257
4100	1708	1850	1918	2032	2124	2226	2321
4200	1753	1899	1971	2084	2186	2288	2380
4300	1791	1947	2018	2141	2241	2347	2444
4400	1836	1999	2072	2196	2302	2411	2511
4500	1881	2051	2122	2243	2354	2468	2572
4600	1926	2096	2174	2302	2416	2529	2638
4700	1971	2143	2226	2352	2473	2591	2700
4800	2013	2196	2276	2411	2529	2650	2769
4900	2058	2241	2326	2463	2589	2712	2826
5000	2101	2295	2378	2522	2646	2773	2889

# 13 Hoods

212

## WALL-MOUNTED INDUCTION HOOD H=450 MM

- grease gutter with draining valve
- when W>2900 the hood is divided into two sections
- available supply/exhaust nozzles with a diameter of: 100, 150, 160, 200, 250, 300, 315 mm
- labyrinth filters (p. 121) and 24 V LED lighting (p. 121) - supplementary charge
- LED lighting with IP68 resistance
- 230 V power supply



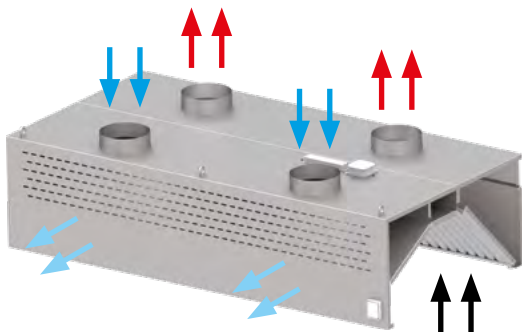
**i** NB: Order must include the number, diameter and placement of nozzles

Width W (mm)	Price net (€) for Depth D (mm)					
	D=900 (mm)	D=1000 (mm)	D=1100 (mm)	D=1200 (mm)	D=1300 (mm)	D=1400 (mm)
1200	947	973	1002	1030	1054	1082
1300	983	1009	1035	1063	1087	1118
1400	1016	1042	1068	1097	1127	1153
1500	1052	1075	1108	1134	1158	1194
1600	1082	1111	1144	1170	1198	1229
1700	1118	1146	1175	1206	1236	1267
1800	1149	1177	1210	1241	1272	1300
1900	1177	1213	1246	1277	1307	1345
2000	1213	1246	1281	1312	1345	1378
2100	1246	1281	1314	1352	1381	1416
2200	1281	1314	1352	1381	1416	1447
2300	1312	1352	1381	1419	1459	1492
2400	1350	1381	1416	1459	1492	1528
2500	1378	1416	1459	1492	1528	1561
2600	1414	1445	1492	1525	1561	1601
2700	1442	1483	1521	1561	1601	1637
2800	1480	1518	1556	1596	1637	1672
2900	1509	1551	1592	1629	1670	1712
3000	1620	1660	1701	1741	1776	1819
3100	1651	1698	1734	1776	1819	1864
3200	1684	1734	1769	1819	1857	1904
3300	1719	1767	1812	1854	1899	1947
3400	1755	1805	1850	1895	1942	1992
3500	1788	1845	1881	1937	1982	2032
3600	1826	1876	1921	1973	2023	2077
3700	1854	1914	1961	2013	2065	2117
3800	1890	1949	1994	2056	2106	2165
3900	1926	1989	2032	2094	2146	2205
4000	1961	2023	2070	2127	2186	2243
4100	1994	2058	2106	2174	2229	2288
4200	2030	2096	2143	2210	2271	2331
4300	2061	2127	2181	2248	2312	2373
4400	2096	2167	2217	2295	2352	2416
4500	2127	2205	2257	2328	2392	2461
4600	2167	2238	2297	2366	2435	2506
4700	2203	2278	2328	2409	2475	2548
4800	2233	2312	2366	2447	2522	2589
4900	2269	2349	2409	2484	2556	2636
5000	2302	2387	2442	2527	2596	2676

213

## WALL-MOUNTED COMPENSATION HOOD H=450 MM

- grease gutter with draining valve
- when W>2900 the hood is divided into two sections
- available supply/exhaust nozzles with a diameter of: 100, 150, 160, 200, 250, 300, 315 mm
- labyrinth filters (p. 121) and 24 V LED lighting (p. 121) - supplementary charge
- LED lighting with IP68 resistance
- 230 V power supply



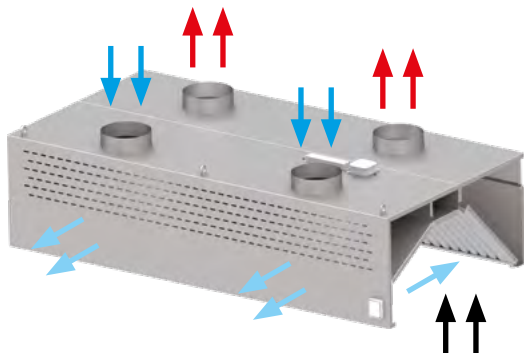
**i** NB: Order must include the number, diameter and placement of nozzles

Width W (mm)	Price net (€) for Depth D (mm)					
	D=900 (mm)	D=1000 (mm)	D=1100 (mm)	D=1200 (mm)	D=1300 (mm)	D=1400 (mm)
1200	909	933	964	988	1011	1035
1300	943	969	995	1023	1047	1075
1400	971	1002	1030	1056	1082	1111
1500	1007	1033	1063	1087	1118	1146
1600	1035	1066	1092	1125	1151	1177
1700	1066	1097	1130	1153	1187	1213
1800	1101	1130	1158	1189	1227	1255
1900	1134	1158	1196	1227	1258	1288
2000	1168	1196	1229	1260	1291	1322
2100	1196	1229	1262	1293	1324	1357
2200	1229	1262	1293	1329	1359	1395
2300	1260	1293	1329	1359	1395	1431
2400	1291	1324	1359	1395	1431	1466
2500	1322	1359	1395	1431	1466	1504
2600	1357	1393	1431	1466	1499	1535
2700	1390	1421	1464	1499	1535	1577
2800	1419	1459	1497	1530	1570	1608
2900	1447	1492	1528	1563	1606	1644
3000	1558	1599	1629	1672	1712	1753
3100	1596	1629	1670	1712	1753	1791
3200	1625	1670	1710	1753	1791	1833
3300	1660	1708	1746	1788	1833	1878
3400	1698	1743	1783	1831	1876	1921
3500	1731	1776	1824	1871	1918	1966
3600	1764	1814	1854	1907	1959	2004
3700	1795	1852	1892	1947	1999	2053
3800	1831	1888	1935	1989	2039	2094
3900	1866	1926	1968	2027	2082	2136
4000	1899	1961	2004	2065	2120	2181
4100	1937	1999	2049	2106	2165	2219
4200	1968	2032	2079	2143	2205	2262
4300	2001	2070	2117	2184	2243	2304
4400	2037	2106	2158	2219	2288	2349
4500	2072	2141	2188	2262	2326	2392
4600	2106	2181	2229	2302	2366	2435
4700	2141	2214	2269	2342	2411	2475
4800	2174	2255	2302	2380	2451	2525
4900	2207	2288	2342	2421	2489	2565
5000	2241	2323	2378	2461	2532	2601

214

**WALL-MOUNTED COMPENSATION-INDUCTION HOOD**  
**H=450 MM**

- grease gutter with draining valve
- when W>2900 the hood is divided into two sections
- available supply/exhaust nozzles with a diameter of: 100, 150, 160, 200, 250, 300, 315 mm
- labyrinth filters (p. 121) and 24 V LED lighting (p. 121) - supplementary charge
- LED lighting with IP68 resistance
- 230 V power supply



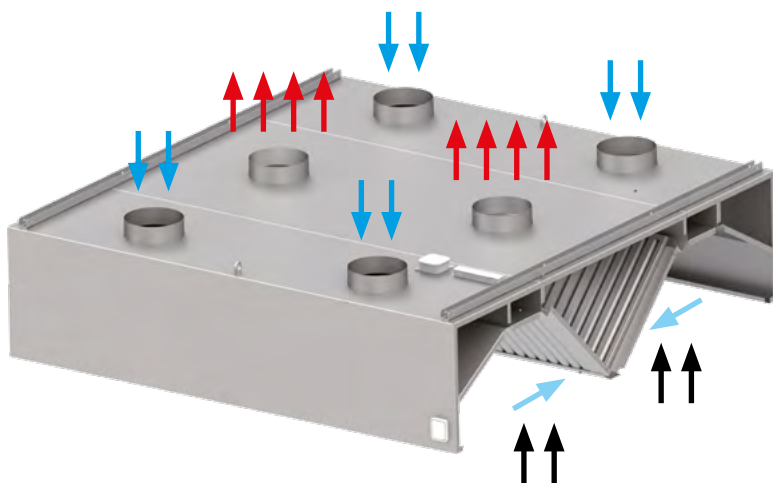
*i* NB: Order must include the number, diameter and placement of nozzles

Width W (mm)	Price net (€) for Depth D (mm)					
	D=900 (mm)	D=1000 (mm)	D=1100 (mm)	D=1200 (mm)	D=1300 (mm)	D=1400 (mm)
1200	1023	1052	1078	1108	1137	1158
1300	1056	1085	1118	1146	1175	1201
1400	1089	1125	1153	1179	1213	1241
1500	1130	1156	1189	1227	1255	1284
1600	1158	1196	1229	1260	1291	1322
1700	1198	1234	1267	1296	1329	1362
1800	1236	1269	1300	1333	1371	1402
1900	1269	1303	1341	1376	1407	1442
2000	1307	1345	1378	1414	1445	1483
2100	1345	1378	1416	1447	1492	1525
2200	1378	1416	1447	1492	1528	1561
2300	1414	1447	1492	1528	1563	1606
2400	1445	1492	1528	1563	1606	1644
2500	1487	1525	1561	1606	1644	1684
2600	1521	1561	1601	1644	1679	1724
2700	1556	1599	1641	1679	1724	1762
2800	1592	1637	1672	1719	1762	1805
2900	1627	1670	1715	1760	1798	1845
3000	1734	1776	1824	1866	1907	1949
3100	1767	1814	1857	1904	1949	1992
3200	1805	1852	1895	1942	1992	2032
3300	1836	1888	1935	1982	2030	2079
3400	1873	1921	1971	2023	2072	2120
3500	1904	1961	2008	2061	2115	2165
3600	1940	1994	2049	2098	2158	2207
3700	1973	2032	2082	2141	2198	2248
3800	2008	2070	2120	2181	2236	2295
3900	2049	2106	2158	2217	2278	2331
4000	2077	2141	2196	2257	2321	2378
4100	2110	2177	2233	2300	2361	2421
4200	2143	2214	2269	2338	2402	2463
4300	2181	2248	2304	2373	2442	2506
4400	2214	2288	2342	2416	2482	2551
4500	2243	2323	2378	2454	2527	2591
4600	2283	2361	2416	2492	2565	2636
4700	2319	2394	2454	2532	2601	2676
4800	2349	2432	2489	2572	2648	2717
4900	2387	2468	2529	2612	2688	2762
5000	2421	2506	2567	2650	2731	2802

215

**INDUCTION CENTRAL HOOD**  
**H=450 MM**

- grease gutter with draining valve
- when W>2900 the hood is divided into two sections
- available supply/exhaust nozzles with a diameter of: 100, 150, 160, 200, 250, 300, 315 mm
- labyrinth filters (p. 121) and 24 V LED lighting (p. 121) - supplementary charge
- LED lighting with IP68 resistance
- 230 V power supply
- hood delivered without hanging brackets



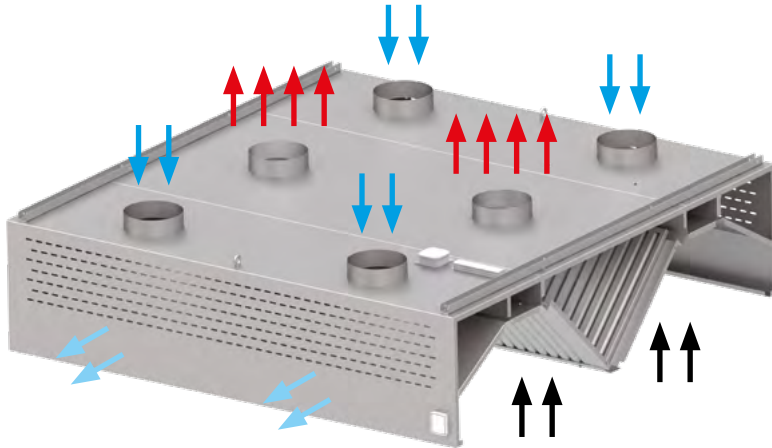
*i* NB: Order must include the number, diameter and placement of nozzles

Width W (mm)	Price net (€) for Depth D (mm)			
	D=1800 (mm)	D=2000 (mm)	D=2200 (mm)	D=2400 (mm)
1200	1651	1710	1767	1828
1300	1703	1764	1828	1888
1400	1755	1819	1878	1942
1500	1807	1873	1937	2001
1600	1857	1926	1992	2061
1700	1911	1980	2051	2117
1800	1966	2032	2101	2174
1900	2013	2091	2160	2233
2000	2070	2141	2214	2288
2100	2120	2196	2271	2347
2200	2172	2243	2326	2406
2300	2219	2302	2380	2461
2400	2276	2352	2439	2522
2500	2326	2411	2492	2572
2600	2378	2463	2548	2636
2700	2432	2522	2598	2688
2800	2477	2570	2660	2750
2900	2532	2627	2712	2802
3000	2641	2731	2821	2913
3100	2691	2792	2882	2977
3200	2750	2844	2942	3039
3300	2799	2906	3003	3100
3400	2859	2961	3065	3167
3500	2908	3022	3124	3231
3600	2965	3072	3186	3292
3700	3020	3131	3247	3356
3800	3069	3188	3304	3420
3900	3124	3247	3368	3482
4000	3181	3304	3425	3548
4100	3233	3361	3493	3614
4200	3287	3415	3553	3678
4300	3342	3477	3609	3740
4400	3392	3531	3676	3801
4500	3451	3593	3730	3865
4600	3501	3647	3794	3932
4700	3560	3707	3853	3993
4800	3609	3763	3913	4057
4900	3666	3820	3974	4121
5000	3718	3877	4036	4183

216

**COMPENSATION CENTRAL HOOD**  
**H=450 MM**

- grease gutter with draining valve
- when W>2900 the hood is divided into two sections
- available supply/exhaust nozzles with a diameter of: 100, 150, 160, 200, 250, 300, 315 mm
- labyrinth filters (p. 121) and 24 V LED lighting (p. 121) - supplementary charge
- LED lighting with IP68 resistance
- 230 V power supply
- hood delivered without hanging brackets



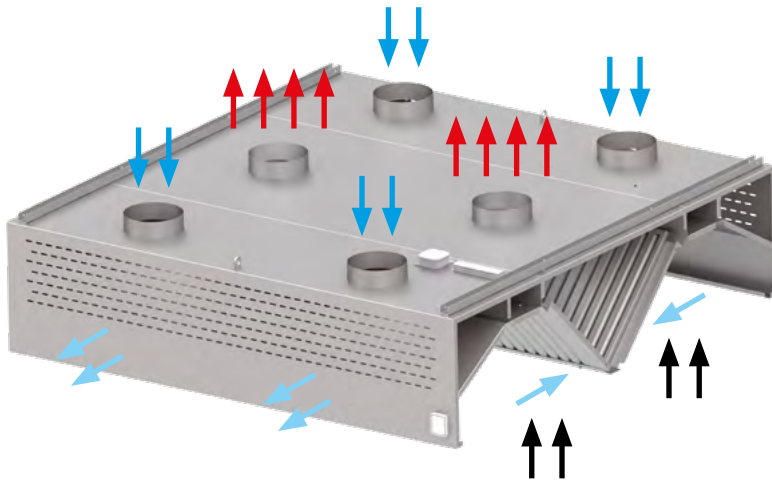
*i* NB: Order must include the number, diameter and placement of nozzles

Width W (mm)	Price net (€) for Depth D (mm)			
	D=1800 (mm)	D=2000 (mm)	D=2200 (mm)	D=2400 (mm)
1200	1582	1637	1693	1746
1300	1627	1689	1743	1805
1400	1674	1736	1798	1857
1500	1729	1788	1852	1914
1600	1774	1845	1904	1968
1700	1828	1892	1959	2023
1800	1876	1942	2008	2079
1900	1933	1994	2065	2136
2000	1973	2051	2117	2186
2100	2027	2096	2172	2241
2200	2077	2146	2219	2300
2300	2122	2203	2276	2352
2400	2174	2255	2328	2409
2500	2226	2302	2380	2461
2600	2276	2352	2435	2513
2700	2323	2409	2484	2570
2800	2371	2461	2539	2627
2900	2421	2508	2593	2679
3000	2529	2617	2702	2785
3100	2579	2672	2762	2852
3200	2638	2731	2823	2916
3300	2688	2785	2885	2979
3400	2745	2844	2942	3041
3500	2797	2904	3006	3110
3600	2854	2961	3065	3169
3700	2906	3020	3129	3233
3800	2961	3069	3186	3294
3900	3013	3131	3249	3361
4000	3065	3186	3309	3422
4100	3122	3247	3368	3491
4200	3174	3299	3434	3553
4300	3231	3358	3493	3617
4400	3278	3415	3557	3681
4500	3337	3474	3614	3742
4600	3389	3531	3678	3806
4700	3448	3588	3733	3868
4800	3498	3647	3794	3934
4900	3557	3704	3856	3996
5000	3607	3761	3917	4062

217

**COMPENSATION-INDUCTION CENTRAL HOOD**  
**H=450 MM**

- grease gutter with draining valve
- when W>2900 the hood is divided into two sections
- available supply/exhaust nozzles with a diameter of: 100, 150, 160, 200, 250, 300, 315 mm
- labyrinth filters (p. 121) and 24 V LED lighting (p. 121) - supplementary charge
- LED lighting with IP68 resistance
- 230 V power supply
- hood delivered without hanging brackets



*i* NB: Order must include the number, diameter and placement of nozzles

Width W (mm)	Price net (€) for Depth D (mm)			
	D=1800 (mm)	D=2000 (mm)	D=2200 (mm)	D=2400 (mm)
1200	1788	1854	1918	1980
1300	1847	1911	1978	2049
1400	1899	1971	2037	2106
1500	1959	2027	2096	2167
1600	2013	2084	2160	2229
1700	2070	2143	2217	2297
1800	2124	2203	2283	2352
1900	2184	2259	2342	2416
2000	2238	2321	2402	2477
2100	2297	2378	2461	2539
2200	2349	2435	2525	2598
2300	2409	2492	2579	2667
2400	2466	2553	2641	2728
2500	2525	2610	2700	2792
2600	2577	2669	2759	2854
2700	2636	2728	2821	2913
2800	2688	2785	2882	2977
2900	2745	2842	2939	3039
3000	2854	2949	3048	3143
3100	2906	3006	3110	3209
3200	2956	3065	3169	3271
3300	3013	3122	3231	3335
3400	3065	3176	3292	3401
3500	3122	3235	3354	3463
3600	3174	3292	3411	3524
3700	3231	3354	3474	3588
3800	3278	3408	3531	3654
3900	3337	3470	3595	3718
4000	3389	3522	3654	3785
4100	3444	3581	3716	3844
4200	3498	3638	3773	3910
4300	3553	3697	3834	3972
4400	3607	3749	3903	4036
4500	3657	3808	3955	4100
4600	3716	3865	4022	4168
4700	3766	3924	4081	4225
4800	3823	3979	4140	4289
4900	3875	4038	4202	4356
5000	3927	4093	4263	4419



# LIGHTING AND FILTERS FOR HOODS IN PRODUCT GROUPS 206-217

232

## LABYRINTH FILTER

- efficiency of air filtration of grease at the level of 70% for particles with a diameter of 8 µm
- proven filtration efficiency by VDI 2052-1
- the design of the filters enables a simple and effective machine or manual washing
- made of stainless steel
- available dimensions of the filters 500x500x20 mm, 400x500x20 mm



Width W (mm)	Depth D=500 (mm)	
	Cat. No.	Price net (€)
400	982324050	43
500	982325050	48

### SET OF LABYRINTH FILTERS FOR WALL-MOUNTED HOODS

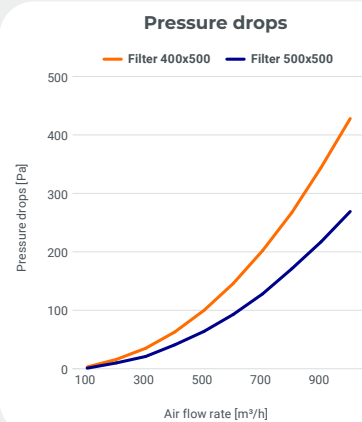
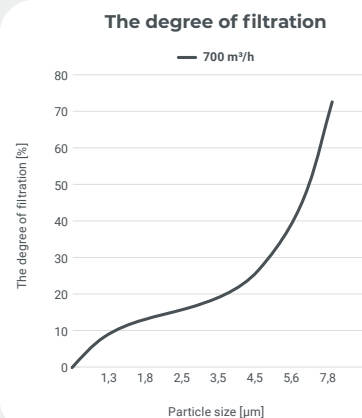
Hood width W (mm)	Number of filters		Price net for set (€)
	500x500 mm	400x500 mm	
1000	1	1	91
1100	2	0	96
1200	2	0	96
1300	0	3	129
1400	1	2	134
1500	2	1	139
1600	3	0	144
1700	0	4	172
1800	1	3	177
1900	2	2	182
2000	3	1	187
2100	4	0	192
2200	1	4	220
2300	2	3	225
2400	3	2	230
2500	4	1	235
2600	5	0	240
2700	2	4	268
2800	3	3	273
2900	4	2	278
3000	4	2	278
3100	6	0	288
3200	6	0	288
3300	0	8	344
3400	0	8	344
3500	2	6	354
3600	2	6	354
3700	4	4	364
3800	4	4	364
3900	6	2	374
4000	6	2	374
4100	8	0	384
4200	8	0	384
4300	2	8	440
4400	2	8	440
4500	4	6	450
4600	4	6	450
4700	6	4	460
4800	6	4	460
4900	8	2	470
5000	8	2	470

### SET OF LABYRINTH FILTERS FOR CENTRAL HOODS

Hood width W (mm)	Number of filters		Price net for set (€)
	500x500 mm	400x500 mm	
1000	2	2	182
1100	4	0	192
1200	4	0	192
1300	0	6	258
1400	2	4	268
1500	4	2	278
1600	6	0	288
1700	0	8	344
1800	2	6	354
1900	4	4	364
2000	6	2	374
2100	8	0	384
2200	2	8	440
2300	4	6	450
2400	6	4	460
2500	8	2	470
2600	10	0	480
2700	4	8	536
2800	6	6	546
2900	8	4	556
3000	8	4	556
3100	12	0	576
3200	12	0	576
3300	0	16	688
3400	0	16	688
3500	4	12	708
3600	4	12	708
3700	8	8	728
3800	8	8	728
3900	12	4	748
4000	12	4	748
4100	16	0	768
4200	16	0	768
4300	4	16	880
4400	4	16	880
4500	8	12	900
4600	8	12	900
4700	12	8	920
4800	12	8	920
4900	16	4	940
5000	16	4	940



## EFFICIENCY OF AIR FILTRATION



## LED LIGHTING FOR WALL-MOUNTED HOODS



Hood width W (mm)	Number of LED lights	Power (W)	Price net (€)
1000	2	30	135
1100-1500	3	45	203
1600-2000	4	60	270
2100-2500	5	75	338
2600-3000	6	90	405
3100-4000	8	120	540
4100-5000	10	150	675

## LED LIGHTING FOR CENTRAL HOODS

Hood width W (mm)	Number of LED lights	Power (W)	Price net (€)
1000	4	60	270
1100-1500	6	90	405
1600-2000	8	120	540
2100-2500	10	150	675
2600-3000	12	180	810
3100-4000	16	240	1080
4100-5000	20	300	1350

## 406

### WALL-MOUNTED BOX SHAPED HOOD H=450 MM

- hood with fan E1 of up to 1300 m<sup>3</sup>/h efficiency
- tube stub of 250 mm diameter
- fan power 184 W
- electronic fan speed control adjustable with a knob
- LED lighting with IP65 resistance
- light switch integrated with fan controller
- labyrinth filter included
- grease tray with drainage stub pipe
- tight construction of exhausting chamber
- 230 V power supply



Width W (mm)	Depth D=900 (mm)	
	Cat. No.	Price net (€)
1000	<b>984060910</b>	<b>1812</b>
1200	<b>984060912</b>	<b>1895</b>
1400	<b>984060914</b>	<b>1947</b>



## 407

### WALL-MOUNTED TRAPEZOID HOOD H=450 MM

- hood with fan E1 of up to 1300 m<sup>3</sup>/h efficiency
- tube stub of 250 mm diameter
- fan power 184 W
- electronic fan speed control adjustable with a knob
- LED lighting with IP65 resistance
- light switch integrated with fan controller
- labyrinth filter included
- grease tray with drainage stub pipe
- tight construction of exhausting chamber
- 230 V power supply



Width W (mm)	Depth D=900 (mm)	
	Cat. No.	Price net (€)
1000	<b>984070910</b>	<b>1767</b>
1200	<b>984070912</b>	<b>1848</b>
1400	<b>984070914</b>	<b>1896</b>



## 408

### WALL-MOUNTED ANGLED HOOD H=450 MM

- hood with fan E1 of up to 1300 m<sup>3</sup>/h efficiency
- tube stub of 250 mm diameter
- fan power 184 W
- electronic fan speed control adjustable with a knob
- LED lighting with IP65 resistance
- light switch integrated with fan controller
- labyrinth filter included
- grease tray with drainage stub pipe
- tight construction of exhausting chamber
- 230 V power supply



Width W (mm)	Depth D=900 (mm)	
	Cat. No.	Price net (€)
1000	<b>984080910</b>	<b>1716</b>
1200	<b>984080912</b>	<b>1790</b>
1400	<b>984080914</b>	<b>1829</b>



409

**WALL-MOUNTED BOX SHAPED HOOD**  
**H=450 MM**

- hood with fan E2 of up to 2000 m<sup>3</sup>/h efficiency
- tube stub of 250 mm diameter
- fan power 400 W
- electronic fan speed control adjustable with a knob
- LED lighting with IP65 resistance
- light switch integrated with fan controller
- labyrinth filter included
- grease tray with drainage stub pipe
- tight construction of exhausting chamber
- 230 V power supply



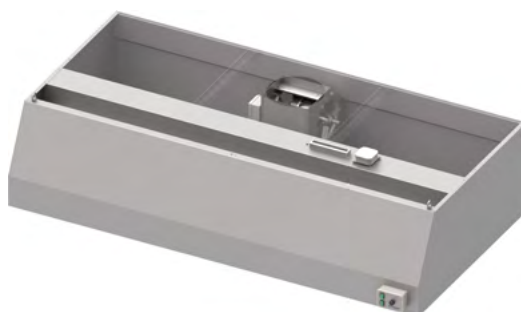
Width W (mm)	Depth D=900 (mm)	
	Cat. No.	Price net (€)
1000	<b>984090910</b>	<b>1911</b>
1200	<b>984090912</b>	<b>1993</b>
1400	<b>984090914</b>	<b>2045</b>
1600	<b>984090916</b>	<b>2100</b>
1800	<b>984090918</b>	<b>2209</b>
2000	<b>984090920</b>	<b>2263</b>
2200	<b>984090922</b>	<b>2356</b>
2400	<b>984090924</b>	<b>2439</b>



410

**WALL-MOUNTED TRAPEZOID HOOD**  
**H=450 MM**

- hood with fan E2 of up to 2000 m<sup>3</sup>/h efficiency
- tube stub of 250 mm diameter
- fan power 400 W
- electronic fan speed control adjustable with a knob
- LED lighting with IP65 resistance
- light switch integrated with fan controller
- labyrinth filter included
- grease tray with drainage stub pipe
- tight construction of exhausting chamber
- 230 V power supply



Width W (mm)	Depth D=900 (mm)	
	Cat. No.	Price net (€)
1000	<b>984100910</b>	<b>1867</b>
1200	<b>984100912</b>	<b>1947</b>
1400	<b>984100914</b>	<b>1994</b>
1600	<b>984100916</b>	<b>2044</b>
1800	<b>984100918</b>	<b>2148</b>
2000	<b>984100920</b>	<b>2200</b>
2200	<b>984100922</b>	<b>2273</b>
2400	<b>984100924</b>	<b>2325</b>



411

**WALL-MOUNTED ANGLED HOOD**  
**H=450 MM**

- hood with fan E2 of up to 2000 m<sup>3</sup>/h efficiency
- tube stub of 250 mm diameter
- fan power 400 W
- electronic fan speed control adjustable with a knob
- LED lighting with IP65 resistance
- light switch integrated with fan controller
- labyrinth filter included
- grease tray with drainage stub pipe
- tight construction of exhausting chamber
- 230 V power supply



Width W (mm)	Depth D=900 (mm)	
	Cat. No.	Price net (€)
1000	<b>984110910</b>	<b>1816</b>
1200	<b>984110912</b>	<b>1889</b>
1400	<b>984110914</b>	<b>1928</b>
1600	<b>984110916</b>	<b>1973</b>
1800	<b>984110918</b>	<b>2067</b>
2000	<b>984110920</b>	<b>2113</b>
2200	<b>984110922</b>	<b>2177</b>
2400	<b>984110924</b>	<b>2221</b>



## 412

### WALL-MOUNTED BOX SHAPED HOOD H=550 MM

- hood with fan E3 of up to 2500 m<sup>3</sup>/h efficiency
- tube stub of 315 mm diameter
- fan power 400 W
- electronic fan speed control adjustable with a knob
- LED lighting with IP65 resistance
- light switch integrated with fan controller
- labyrinth filter included
- grease tray with drainage stub pipe
- tight construction of exhausting chamber
- 230 V power supply



Width W (mm)	Depth D=900 (mm)	
	Cat. No.	Price net (€)
1800	<b>984120918</b>	<b>2548</b>
2000	<b>984120920</b>	<b>2611</b>
2200	<b>984120922</b>	<b>2719</b>
2400	<b>984120924</b>	<b>2815</b>
2600	<b>984120926</b>	<b>2948</b>
2800	<b>984120928</b>	<b>3071</b>



## 413

### WALL-MOUNTED TRAPEZOID HOOD H=550 MM

- hood with fan E3 of up to 2500 m<sup>3</sup>/h efficiency
- tube stub of 315 mm diameter
- fan power 400 W
- electronic fan speed control adjustable with a knob
- LED lighting with IP65 resistance
- light switch integrated with fan controller
- labyrinth filter included
- grease tray with drainage stub pipe
- tight construction of exhausting chamber
- 230 V power supply



Width W (mm)	Depth D=1000 (mm)	
	Cat. No.	Price net (€)
1600	<b>984130916</b>	<b>2357</b>
1800	<b>984130918</b>	<b>2477</b>
2000	<b>984130920</b>	<b>2538</b>
2200	<b>984130922</b>	<b>2622</b>
2400	<b>984130924</b>	<b>2684</b>
2600	<b>984130926</b>	<b>2779</b>
2800	<b>984130928</b>	<b>2863</b>



## 414

### WALL-MOUNTED ANGLED HOOD H=550 MM

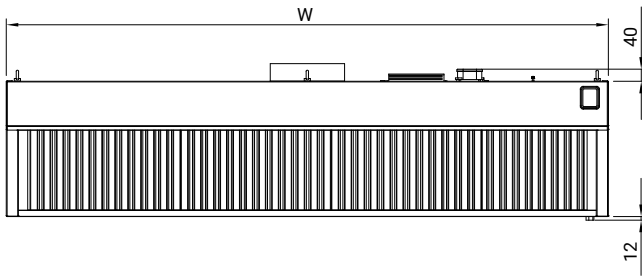
- hood with fan E3 of up to 2500 m<sup>3</sup>/h efficiency
- tube stub of 315 mm diameter
- fan power 400 W
- electronic fan speed control adjustable with a knob
- LED lighting with IP65 resistance
- light switch integrated with fan controller
- labyrinth filter included
- grease tray with drainage stub pipe
- tight construction of exhausting chamber
- 230 V power supply



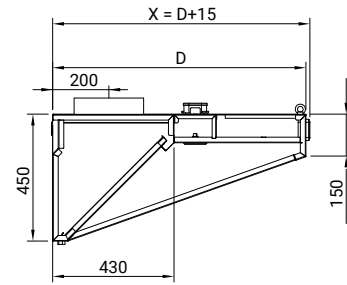
Width W (mm)	Depth D=900 (mm)	
	Cat. No.	Price net (€)
1600	<b>984140916</b>	<b>2275</b>
1800	<b>984140918</b>	<b>2384</b>
2000	<b>984140920</b>	<b>2437</b>
2200	<b>984140922</b>	<b>2511</b>
2400	<b>984140924</b>	<b>2562</b>
2600	<b>984140926</b>	<b>2648</b>
2800	<b>984140928</b>	<b>2723</b>



**WALL-MOUNTED ANGLED HOOD**

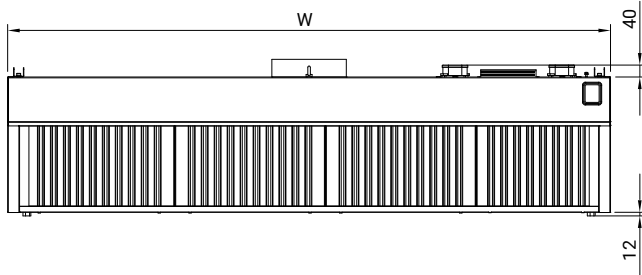


Front view

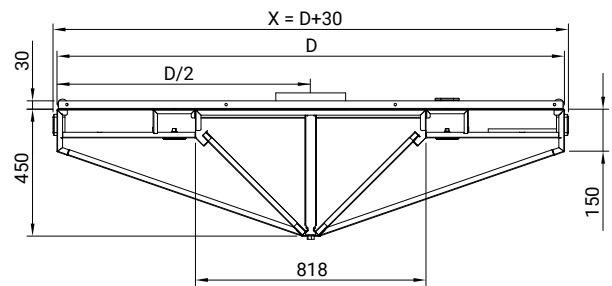


Side view

**ANGLED CENTRAL HOOD**

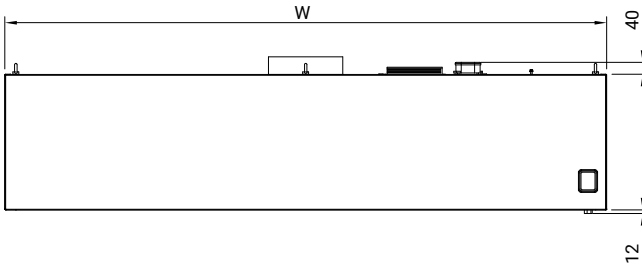


Front view

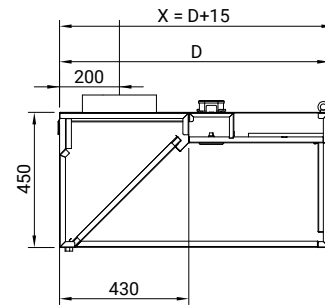


Side view

**WALL-MOUNTED BOX SHAPED HOOD**

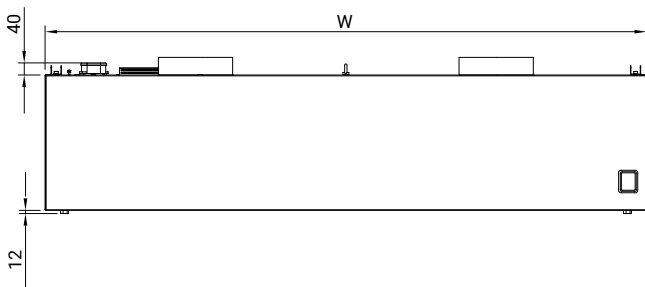


Front view

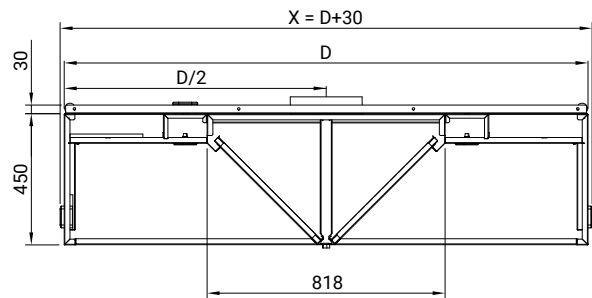


Side view

**BOX SHAPED CENTRAL HOOD**

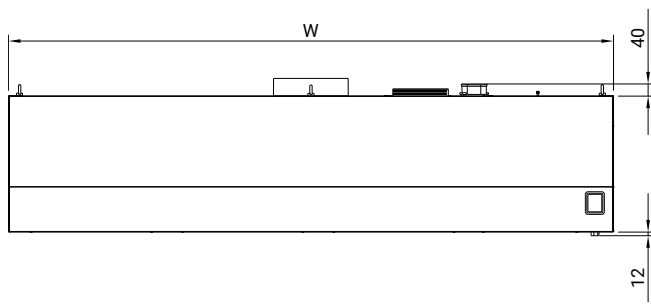


Front view

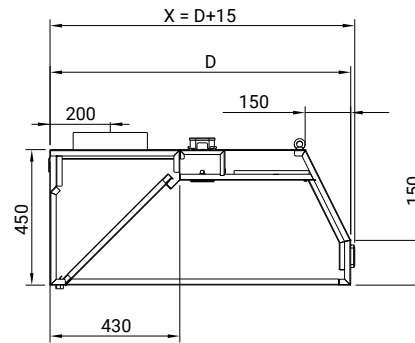


Side view

WALL-MOUNTED TRAPEZOID HOOD

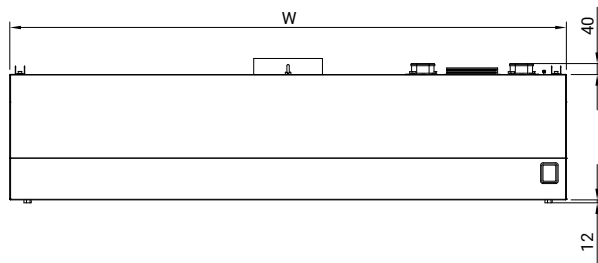


Front view

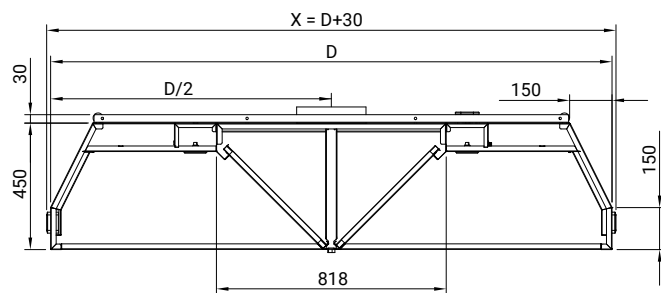


Side view

TRAPEZOID CENTRAL HOOD

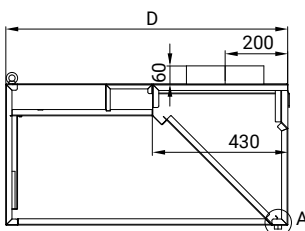


Front view

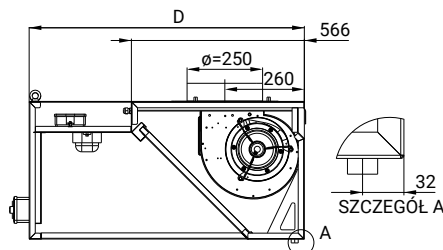


Side view

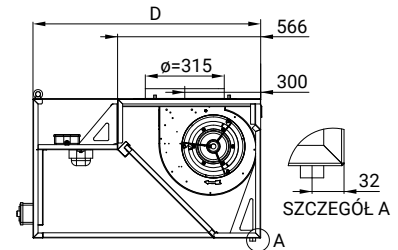
WALL-MOUNTED HOOD



Side view



Side view



Side view

# Heated cupboards



218

HEATED CUPBOARD, SLIDING DOORS  
H=850 MM

- welded
- height adjustable, perforated shelf
- forced convection
- cupboards with W=1000-1300 mm equipped with 1600 W heating element
- cupboards with W=1400-1600 mm equipped with 2000 W heating element
- thermostat 30-90°C
- safety thermostat with manual reset
- 230 V power supply



Width W (mm)	Depth D=600 (mm)		Depth D=700 (mm)	
	Cat. No.	Price net (€)	Cat. No.	Price net (€)
1000	982186100	1188	982187100	1259
1100	982186110	1227	982187110	1301
1200	982186120	1261	982187120	1337
1300	982186130	1285	982187130	1362
1400	982186140	1314	982187140	1393
1500	982186150	1343	982187150	1424
1600	982186160	1378	982187160	1461

219

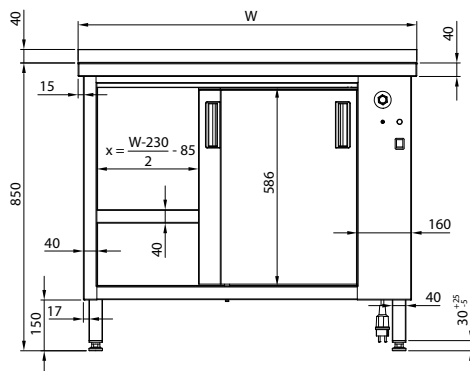
PASS-THROUGH CUPBOARD, HEATED, SLIDING DOORS  
H=850 MM

- welded
- height adjustable, perforated shelf
- forced convection
- cupboards with W=1000-1300 mm equipped with 1600 W heating element
- cupboards with W=1400-1600 mm equipped with 2000 W heating element
- thermostat 30-90°C
- safety thermostat with manual reset
- 230 V power supply

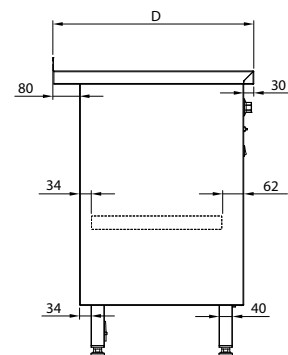


Width W (mm)	Depth D=600 (mm)		Depth D=700 (mm)	
	Cat. No.	Price net (€)	Cat. No.	Price net (€)
1000	982196100	1479	982197100	1568
1100	982196110	1513	982197110	1604
1200	982196120	1547	982197120	1640
1300	982196130	1591	982197130	1686
1400	982196140	1620	982197140	1717
1500	982196150	1654	982197150	1753
1600	982196160	1698	982197160	1800

HEATED CUPBOARD, SLIDING DOOR



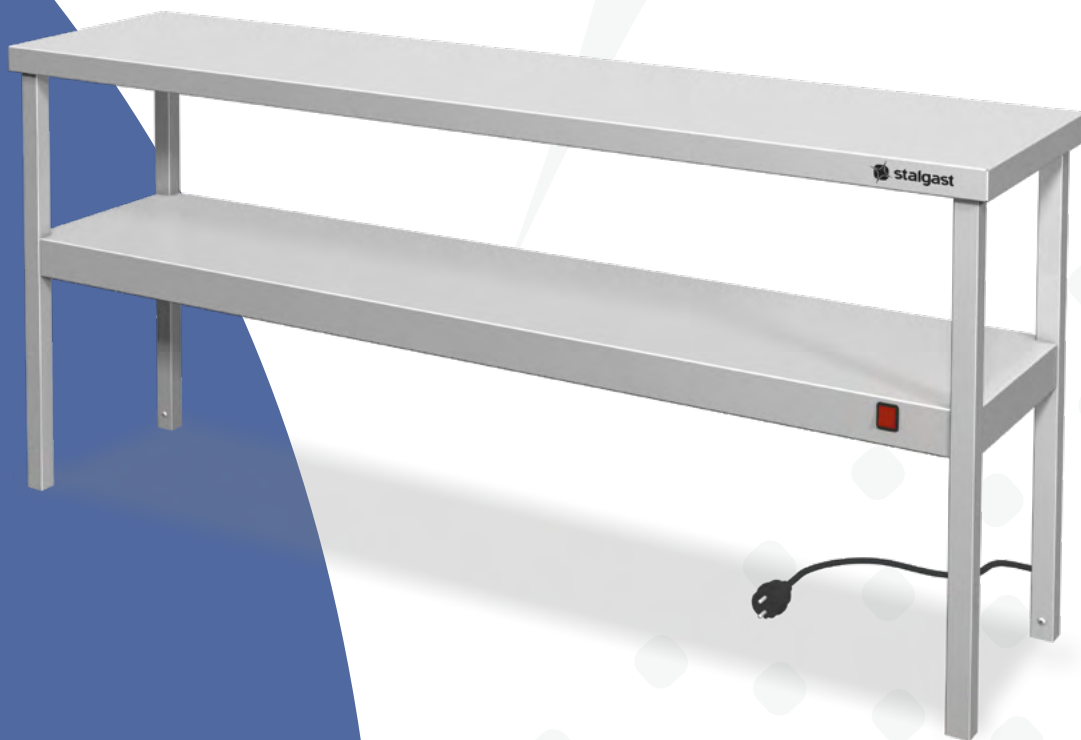
Front view



Side view



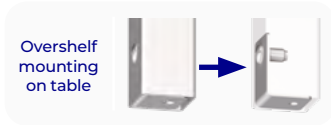
# Heated overshelves



## 220

### SINGLE HEATED OVERSHELF H=400 MM

- welded
- mounting set included
- fast heat up
- ceramic heating elements (400W each)
- insulation ensures lower energy usage
- on/off switch and power supply cable on the right side
- 230 V power supply



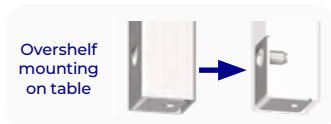
Depth D=300 (mm)			
Width W (mm)	Cat. No.	v	Price net (€)
800	982203080	2	396
900	982203090	2	406
1000	982203100	2	418
1100	982203110	2	435
1200	982203120	3	452
1300	982203130	3	467
1400	982203140	3	518

Depth D=400 (mm)			
Width W (mm)	Cat. No.	No. of heating elements	Price net (€)
800	982204080	2	406
900	982204090	2	418
1000	982204100	2	428
1100	982204110	2	450
1200	982204120	3	462
1300	982204130	3	482
1400	982204140	3	535

## 221

### SINGLE HEATED OVERSHELF H=400 MM

- welded
- mounting set included
- fast heat up
- ceramic heating elements (400W each)
- insulation ensures lower energy usage
- on/off switch and power supply cable on the right side
- 230 V power supply



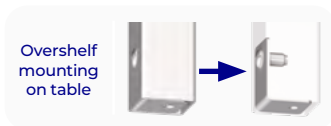
Depth D=300 (mm)			
Width W (mm)	Cat. No.	No. of heating elements	Price net (€)
1500	982213150	4	578
1600	982213160	4	619
1700	982213170	4	641
1800	982213180	4	682
1900	982213190	4	726

Depth D=400 (mm)			
Width W (mm)	Cat. No.	No. of heating elements	Price net (€)
1500	982214150	4	592
1600	982214160	4	630
1700	982214170	4	660
1800	982214180	4	704
1900	982214190	4	750

## 222

### DOUBLE HEATED OVERSHELF H=700 MM

- welded
- mounting set included
- fast heat up
- ceramic heating elements (400W each), only in the bottom shelf
- insulation ensures lower energy usage
- on/off switch and power supply cable on the right side
- 230 V power supply



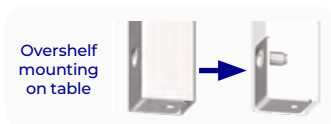
Depth D=300 (mm)			
Width W (mm)	Cat. No.	No. of heating elements	Price net (€)
800	982223080	2	472
900	982223090	2	491
1000	982223100	2	511
1100	982223110	2	538
1200	982223120	3	565
1300	982223130	3	592
1400	982223140	3	623

Depth D=400 (mm)			
Width W (mm)	Cat. No.	No. of heating elements	Price net (€)
800	982224080	2	489
900	982224090	2	508
1000	982224100	2	533
1100	982224110	2	563
1200	982224120	3	597
1300	982224130	3	614
1400	982224140	3	645

## 223

### DOUBLE HEATED OVERSHELF H=700 MM

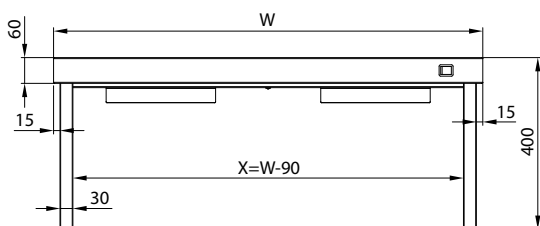
- welded
- mounting set included
- fast heat up
- ceramic heating elements (400W each), only in the bottom shelf
- insulation ensures lower energy usage
- on/off switch and power supply cable on the right side
- 230 V power supply



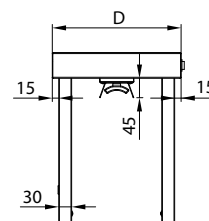
Depth D=300 (mm)			
Width W (mm)	Cat. No.	No. of heating elements	Price net (€)
1500	982233150	4	661
1600	982233160	4	724
1700	982233170	4	775
1800	982233180	4	812
1900	982233190	4	847

Depth D=400 (mm)			
Width W (mm)	Cat. No.	No. of heating elements	Price net (€)
1500	982234150	4	677
1600	982234160	4	738
1700	982234170	4	802
1800	982234180	4	859
1900	982234190	4	921

**SINGLE HEATED OVERSHELF**

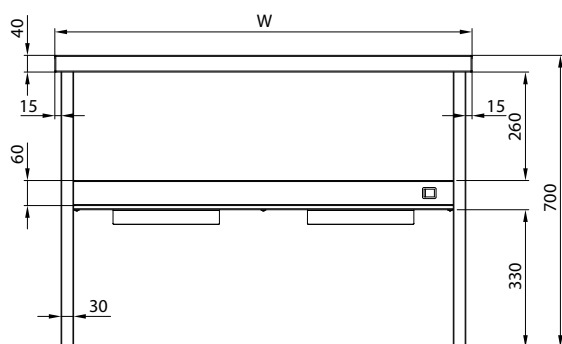


**Front view**

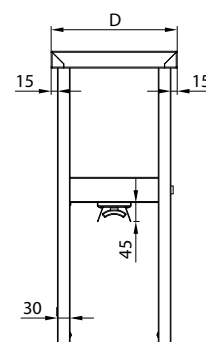


**Side view**

**DOUBLE HEATED OVERSHELF**



**Front view**



**Side view**

# Bain-maries



224

**STATIONARY SINGLE-CHAMBER BAIN-MARIE, OPEN FRAME  
H=850 MM**

- central control of the temperature in the chamber
- water bain-marie
- maximum depth of the 1/1 GN containers is 200 mm
- 230 V power supply



Width W (mm)	Cat. No.	Depth D=600 (mm)		
		Number of GN	Power (kW)	Price net (€)
760	<b>982246076</b>	2	1,6	1045
1085	<b>982246108</b>	3	2,4	1253
1410	<b>982246141</b>	4	3,2	1526

225

**THREE-CHAMBER STATIONARY BAIN-MARIE, OPEN FRAME  
H=850 MM**

- independent temperature control in each chamber
- water bain-marie
- maximum depth of the 1/1 GN containers is 200 mm
- 230 V power supply



Width W (mm)	Cat. No.	Depth D=600 (mm)		
		Number of GN	Power (kW)	Price net (€)
760	<b>982256076</b>	2	1,6	1326
1085	<b>982256108</b>	3	2,4	1732
1410	<b>982256141</b>	4	3,2	2201

226

**SINGLE CHAMBER BAIN-MARIE ON WHEELS  
H=850 MM**

- central control of the temperature in the chamber
- water bain-marie
- draining valve
- maximum depth of the 1/1 GN containers is 200 mm
- 230 V power supply
- two swivel wheels



Width W (mm)	Cat. No.	Depth D=600 (mm)		
		Number of GN	Power (kW)	Price net (€)
880	<b>982266093</b>	2	1,6	1198
1205	<b>982266126</b>	3	2,4	1400
1530	<b>982266158</b>	4	3,2	1778

227

**THREE CHAMBER BAIN-MARIE ON WHEELS  
H=850 MM**

- independent temperature control in each chamber
- water bain-marie
- draining valve
- maximum depth of the 1/1 GN containers is 200 mm
- 230 V power supply
- two swivel wheels



Width W (mm)	Cat. No.	Depth D=600 (mm)		
		Number of GN	Power (kW)	Price net (€)
880	<b>982276093</b>	2	1,6	1480
1205	<b>982276126</b>	3	2,4	1878
1530	<b>982276158</b>	4	3,2	2454

## 16 Bain-maries

230

### STATIONARY SINGLE-CHAMBER BAIN-MARIE, CLOSED COMPARTMENT H=850 MM

- central control of the temperature in the chamber
- water bain-marie
- draining valve
- maximum depth of the 1/1 GN containers is 200 mm
- 230 V power supply
- height adjustable shelf



Width W (mm)	Cat. No.	Depth D=600 (mm)		
		Number of GN	Power (kW)	Price net (€)
760	<b>982306076</b>	2	1,6	1732
1085	<b>982306108</b>	3	2,4	2180
1410	<b>982306141</b>	4	3,2	2653

231

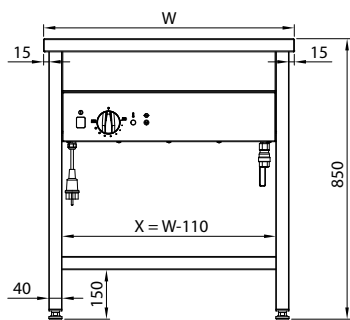
### STATIONARY THREE-CHAMBER BAIN-MARIE, CLOSED COMPARTMENT H=850 MM

- independent temperature control in each chamber
- water bain-marie
- draining valve
- maximum depth of the 1/1 GN containers is 200 mm
- 230 V power supply

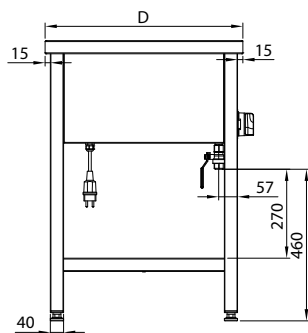


Width W (mm)	Cat. No.	Depth D=600 (mm)		
		Number of GN	Power (kW)	Price net (€)
760	<b>982316076</b>	2	1,6	1928
1085	<b>982316108</b>	3	2,4	2507
1410	<b>982316141</b>	4	3,2	3161

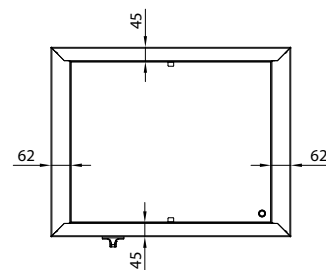
### STATIONARY SINGLE-CHAMBER BAIN-MARIE



Front view

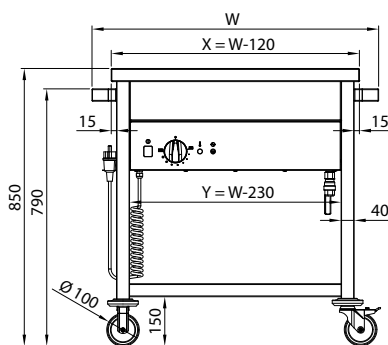


Side view

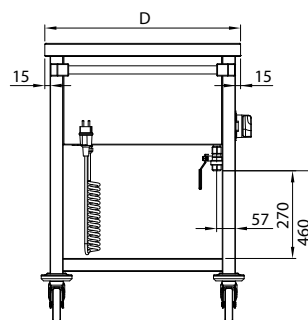


Top view

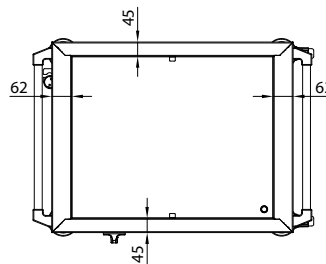
### BAIN-MARIE ON WHEELS



Front view



Side view



Top view

# Framed construction system

Serving lines



17

See sample 3D project.  
Ask about a project  
custom-made for you!



### ST 101

#### STANDING UNIT WITH AN INSULATED NEUTRAL BATH FOR EXPOSURE ON ICE 2x GN 1/1 H=880 MM

- made of stainless steel
- thermal insulation
- 1/2" draining tap
- two perforated grates
- seamless tabletop connection with other units of the system



Width W (mm)	Depth D=750 (mm)		
	Cat. No.	Type	Price net (€)
920	<b>ST101091</b>	SS	<b>1352,40</b>
920	<b>ST101092</b>	G1	tel.
920	<b>ST101093</b>	G2	tel.

### ST 102

#### STANDING UNIT WITH AN INSULATED NEUTRAL BATH FOR EXPOSURE ON ICE 3x GN 1/1 H=880 MM

- made of stainless steel
- thermal insulation
- 1/2" draining tap
- three perforated grates
- seamless tabletop connection with other units of the system



Width W (mm)	Depth D=750 (mm)		
	Cat. No.	Type	Price net (€)
1245	<b>ST102121</b>	SS	<b>1430</b>
1245	<b>ST102122</b>	G1	tel.
1245	<b>ST102123</b>	G2	tel.

### ST 103

#### STANDING UNIT WITH AN INSULATED NEUTRAL BATH FOR EXPOSURE ON ICE 4x GN 1/1 H=880 MM

- made of stainless steel
- thermal insulation
- 1/2" draining tap
- four perforated grates
- seamless tabletop connection with other units of the system



Width W (mm)	Depth D=750 (mm)		
	Cat. No.	Type	Price net (€)
1570	<b>ST103151</b>	SS	<b>1752</b>
1570	<b>ST103152</b>	G1	tel.
1570	<b>ST103153</b>	G2	tel.

### ST 104

#### STANDING UNIT WITH A SALAD COOLING BATH 2x GN 1/1 H=880 MM

- made of stainless steel
- static cooling
- thermal insulation
- digital temperature display
- temperature control within 2-8°C range
- dust filter
- maximum depth of the 1/1 GN containers is 150 mm
- electrical power 230 W
- 230V, 50Hz power supply
- one 530 mm GN support bar
- two 325 mm GN support bars
- seamless tabletop connection with other units of the system



Width W (mm)	Depth D=750 (mm)		
	Cat. No.	Type	Price net (€)
920	<b>ST104091</b>	SS	<b>2629</b>
920	<b>ST104092</b>	G1	tel.
920	<b>ST104093</b>	G2	tel.



**ST 105**

**STANDING UNIT WITH A SALAD COOLING BATH 3x GN 1/1  
H=880 MM**

- made of stainless steel
- static cooling
- thermal insulation
- digital temperature display
- temperature control within 2-8°C range
- dust filter
- maximum depth of the 1/1 GN containers is 150 mm
- electrical power 230 W
- 230V, 50Hz power supply
- two 530 mm GN support bars
- three 325 mm GN support bars
- seamless tabletop connection with other units of the system



Width W (mm)	Depth D=750 (mm)		
	Cat. No.	Type	Price net (€)
1245	<b>ST105121</b>	SS	<b>2860</b>
1245	<b>ST105122</b>	G1	<b>tel.</b>
1245	<b>ST105123</b>	G2	<b>tel.</b>

**ST 106**

**STANDING UNIT WITH A SALAD COOLING BATH 4x GN 1/1  
H=880 MM**

- made of stainless steel
- static cooling
- thermal insulation
- digital temperature display
- temperature control within 2-8°C range
- dust filter
- maximum depth of the 1/1 GN containers is 150 mm
- electrical power 230 W
- 230V, 50Hz power supply
- three 530 mm GN support bars
- four 325 mm GN support bars
- seamless tabletop connection with other units of the system



Width W (mm)	Depth D=750 (mm)		
	Cat. No.	Type	Price net (€)
1570	<b>ST106151</b>	SS	<b>3058</b>
1570	<b>ST106152</b>	G1	<b>tel.</b>
1570	<b>ST106153</b>	G2	<b>tel.</b>

**ST 107**

**STANDING UNIT WITH A COOLING BEVERAGE BATH 2x GN 1/1  
H=880 MM**

- made of stainless steel
- static cooling
- thermal insulation
- digital temperature display
- temperature control within 6-12°C range
- dust filter
- two perforated grates
- electrical power 230 W
- 230V, 50Hz power supply
- seamless tabletop connection with other units of the system



Width W (mm)	Depth D=750 (mm)		
	Cat. No.	Type	Price net (€)
920	<b>ST107091</b>	SS	<b>2988</b>
920	<b>ST107092</b>	G1	<b>tel.</b>
920	<b>ST107093</b>	G2	<b>tel.</b>

**ST 108**

**STANDING UNIT WITH A COOLING BEVERAGE BATH 3x GN 1/1  
H=880 MM**

- made of stainless steel
- static cooling
- thermal insulation
- digital temperature display
- temperature control within 6-12°C range
- dust filter
- three perforated grates
- electrical power 230 W
- 230V, 50Hz power supply
- seamless tabletop connection with other units of the system



Width W (mm)	Depth D=750 (mm)		
	Cat. No.	Type	Price net (€)
1245	<b>ST108121</b>	SS	<b>3252</b>
1245	<b>ST108122</b>	G1	<b>tel.</b>
1245	<b>ST108123</b>	G2	<b>tel.</b>

### ST 109

#### STANDING UNIT WITH A COOLING BEVERAGE BATH 4x GN 1/1 H=880 MM

- made of stainless steel
- static cooling
- thermal insulation
- digital temperature display
- temperature control within 6-12°C range
- dust filter
- four perforated grates
- electrical power 230 W
- 230V, 50Hz power supply
- seamless tabletop connection with other units of the system



Width W (mm)	Cat. No.	Depth D=750 (mm)	
		Type	Price net (€)
1570	<b>ST109151</b>	SS	<b>3278</b>
1570	<b>ST109152</b>	G1	tel.
1570	<b>ST109153</b>	G2	tel.

### ST 110

#### STANDING UNIT WITH REFRIGERATED DISPLAY PLATE 2x GN1/1 H=880 MM

- made of stainless steel
- static cooling
- thermal insulation
- digital temperature display
- temperature of plate -2/+5°C
- dust filter
- electrical power 230 W
- 230V, 50Hz power supply
- seamless tabletop connection with other units of the system



Width W (mm)	Cat. No.	Depth D=750 (mm)	
		Type	Price net (€)
920	<b>ST110091</b>	SS	<b>2420</b>
920	<b>ST110092</b>	G1	tel.
920	<b>ST110093</b>	G2	tel.

### ST 111

#### STANDING UNIT WITH REFRIGERATED DISPLAY PLATE 3x GN 1/1 H=880 MM

- made of stainless steel
- static cooling
- thermal insulation
- digital temperature display
- temperature of plate -2/+5°C
- dust filter
- electrical power 230 W
- 230V, 50Hz power supply
- seamless tabletop connection with other units of the system



Width W (mm)	Cat. No.	Depth D=750 (mm)	
		Type	Price net (€)
1245	<b>ST111121</b>	SS	<b>2820</b>
1245	<b>ST111122</b>	G1	tel.
1245	<b>ST111123</b>	G2	tel.

### ST 112

#### STANDING UNIT WITH REFRIGERATED DISPLAY PLATE 4x GN 1/1 H=880 MM

- made of stainless steel
- static cooling
- thermal insulation
- digital temperature display
- temperature of plate -2/+5°C
- dust filter
- electrical power 230 W
- 230V, 50Hz power supply
- seamless tabletop connection with other units of the system



Width W (mm)	Cat. No.	Depth D=750 (mm)	
		Type	Price net (€)
1570	<b>ST112151</b>	SS	<b>2761</b>
1570	<b>ST112152</b>	G1	tel.
1570	<b>ST112153</b>	G2	tel.

**ST 113**

**STANDING UNIT WITH A REFRIGERATED DISPLAY  
H=1680 MM**

- openable panels on customer side
- sliding doors on staff side
- cooling tank for beverages
- forced convection
- digital temperature display
- temperature in the chamber 5-15°C
- lighting
- two removable tempered glass shelves
- dust filter
- electrical power 400 W
- 230V, 50 Hz power supply
- capacity 430 l
- seamless tabletop connection with other units of the system



Width W (mm)	Depth D=750 (mm)		
	Cat. No.	Type	Price net (€)
1245	<b>ST113121</b>	SS	<b>7392</b>
1245	<b>ST113122</b>	G1	<b>tel.</b>
1245	<b>ST113123</b>	G2	<b>tel.</b>

**ST 114**

**STANDING UNIT WITH A REFRIGERATED DISPLAY  
H=1680 MM**

- openable panels on customer side
- sliding doors on staff side
- cooling tank for beverages
- forced convection
- digital temperature display
- temperature in the chamber 5-15°C
- lighting
- two removable tempered glass shelves
- dust filter
- electrical power 800 W
- 230V, 50 Hz power supply
- capacity 570 l
- seamless tabletop connection with other units of the system



Width W (mm)	Depth D=750 (mm)		
	Cat. No.	Type	Price net (€)
1570	<b>ST114151</b>	SS	<b>8129</b>
1570	<b>ST114152</b>	G1	<b>tel.</b>
1570	<b>ST114153</b>	G2	<b>tel.</b>

**ST 137**

**STANDING UNIT WITH A REFRIGERATED DISPLAY  
H=1680 MM**

- heat filter glass on customer side
- sliding doors on staff side
- cooling tank for beverages
- forced convection
- digital temperature display
- temperature in the chamber 5-15°C
- lighting
- two removable tempered glass shelves
- dust filter
- electrical power 400 W
- 230V, 50 Hz power supply
- capacity 430 l
- seamless tabletop connection with other units of the system



Width W (mm)	Depth D=750 (mm)		
	Cat. No.	Type	Price net (€)
1245	<b>ST137121</b>	SS	<b>7150</b>
1245	<b>ST137122</b>	G1	<b>tel.</b>
1245	<b>ST137123</b>	G2	<b>tel.</b>

**ST 138**

**STANDING UNIT WITH A REFRIGERATED DISPLAY  
H=1680 MM**

- heat filter glass on customer side
- sliding doors on staff side
- cooling tank for beverages
- forced convection
- digital temperature display
- temperature in the chamber 5-15°C
- lighting
- two removable tempered glass shelves
- dust filter
- electrical power 800 W
- 230V, 50 Hz power supply
- capacity 570 l
- seamless tabletop connection with other units of the system



Width W (mm)	Depth D=750 (mm)		
	Cat. No.	Type	Price net (€)
1570	<b>ST138151</b>	SS	<b>8400</b>
1570	<b>ST138152</b>	G1	<b>tel.</b>
1570	<b>ST138153</b>	G2	<b>tel.</b>

## 17 Serving lines - Framed construction system

### ST 115

#### STATION WITH A GRANITE HEATING PLATE 2x GN 1/1 H=880 MM

- made of stainless steel
- depth of the hot plate 510 mm
- thermostatically controlled within 30-85°C range
- electrical power of hot plate 1600 W
- 230V, 50 Hz power supply
- seamless tabletop connection with other units of the system



Width W (mm)	Depth D=750 (mm)		
	Cat. No.	Type	Price net (€)
920	<b>ST115091</b>	SS	<b>1740</b>
920	<b>ST115092</b>	G1	<b>tel.</b>
920	<b>ST115093</b>	G2	<b>tel.</b>

### ST 116

#### STATION WITH A GRANITE HEATING PLATE 3x GN 1/1 H=880 MM

- made of stainless steel
- depth of the hot plate 510 mm
- thermostatically controlled within 30-85°C range
- electrical power of hot plate 2400 W
- 230V, 50 Hz power supply
- seamless tabletop connection with other units of the system



Width W (mm)	Depth D=750 (mm)		
	Cat. No.	Type	Price net (€)
1245	<b>ST116121</b>	SS	<b>2076</b>
1245	<b>ST116122</b>	G1	<b>tel.</b>
1245	<b>ST116123</b>	G2	<b>tel.</b>

### ST 117

#### STATION WITH A GRANITE HEATING PLATE 4x GN 1/1 H=880 MM

- made of stainless steel
- depth of the hot plate 510 mm
- thermostatically controlled within 30-85°C range
- electrical power of hot plate 3200 W
- 230V, 50 Hz power supply
- seamless tabletop connection with other units of the system



Width W (mm)	Depth D=750 (mm)		
	Cat. No.	Type	Price net (€)
1570	<b>ST117151</b>	SS	<b>2364</b>
1570	<b>ST117152</b>	G1	<b>tel.</b>
1570	<b>ST117153</b>	G2	<b>tel.</b>

### ST 118

#### STATION WITH A CERAMIC HOT PLATE 2x GN 1/1 H=880 MM

- made of stainless steel
- hot plate made of tempered glass
- depth of the hot plate 500 mm
- thermostatically controlled within 30-95°C range
- electrical power of hot plate 300 W
- 230V, 50 Hz power supply
- seamless tabletop connection with other units of the system



Width W (mm)	Depth D=750 (mm)		
	Cat. No.	Type	Price net (€)
920	<b>ST118091</b>	SS	<b>2160</b>
920	<b>ST118092</b>	G1	<b>tel.</b>
920	<b>ST118093</b>	G2	<b>tel.</b>

**ST 119**
**STATION WITH A CERAMIC HOT PLATE 3x GN 1/1  
H=880 MM**

- made of stainless steel
- hot plate made of tempered glass
- depth of the hot plate 500 mm
- thermostatically controlled within 30-95°C range
- electrical power of hot plate 450 W
- 230V, 50 Hz power supply
- seamless tabletop connection with other units of the system



Width W (mm)	Cat. No.	Depth D=750 (mm)	
		Type	Price net (€)
1245	<b>ST119121</b>	SS	<b>2640</b>
1245	<b>ST119122</b>	G1	<b>tel.</b>
1245	<b>ST119123</b>	G2	<b>tel.</b>

**ST 120**
**STATION WITH A CERAMIC HOT PLATE 4x GN 1/1  
H=880 MM**

- made of stainless steel
- hot plate made of tempered glass
- depth of the hot plate 500 mm
- thermostatically controlled within 30-95°C range
- electrical power of hot plate 600 W
- 230V, 50 Hz power supply
- seamless tabletop connection with other units of the system



Width W (mm)	Cat. No.	Depth D=750 (mm)	
		Type	Price net (€)
1570	<b>ST120151</b>	SS	<b>3216</b>
1570	<b>ST120152</b>	G1	<b>tel.</b>
1570	<b>ST120153</b>	G2	<b>tel.</b>

**ST 121**
**WATER BAIN-MARIE 2x GN 1/1, SINGLE-CHAMBER  
H=880 MM**

- made of stainless steel
- maximum depth of the 1/1 GN containers is 200 mm
- manual filling up and draining of water from tanks
- thermostatically controlled within 30-95°C range
- electrical power 1600 W
- 230V, 50 Hz power supply
- one 530 mm GN support bar
- two 530 mm GN support bars
- seamless tabletop connection with other units of the system



Width W (mm)	Cat. No.	Depth D=750 (mm)	
		Type	Price net (€)
920	<b>ST121091</b>	SS	<b>1672</b>
920	<b>ST121092</b>	G1	<b>tel.</b>
920	<b>ST121093</b>	G2	<b>tel.</b>

**ST 122**
**WATER BAIN-MARIE 3x GN 1/1, SINGLE-CHAMBER  
H=880 MM**

- made of stainless steel
- maximum depth of the 1/1 GN containers is 200 mm
- manual filling up and draining of water from tanks
- thermostatically controlled within 30-95°C range
- electrical power 2400 W
- 230V, 50 Hz power supply
- two 530 mm GN support bars
- three 325 mm GN support bars
- seamless tabletop connection with other units of the system



Width W (mm)	Cat. No.	Depth D=750 (mm)	
		Type	Price net (€)
1245	<b>ST122121</b>	SS	<b>1903</b>
1245	<b>ST122122</b>	G1	<b>tel.</b>
1245	<b>ST122123</b>	G2	<b>tel.</b>

### ST 123

#### WATER BAIN-MARIE 4x GN 1/1, SINGLE-CHAMBER H=880 MM

- made of stainless steel
- maximum depth of the 1/1 GN containers is 200 mm
- manual filling up and draining of water from tanks
- thermostatically controlled within 30-95°C range
- electrical power 3200 W
- 230V, 50 Hz power supply
- three 530 mm GN support bars
- four 325 mm GN support bars
- seamless tabletop connection with other units of the system



Width W (mm)	Cat. No.	Depth D=750 (mm)	
		Type	Price net (€)
1570	<b>ST123151</b>	SS	<b>2123</b>
1570	<b>ST123152</b>	G1	<b>tel.</b>
1570	<b>ST123153</b>	G2	<b>tel.</b>

### ST 124

#### WATER BAIN-MARIE 2x GN 1/1, TWO-CHAMBER H=880 MM

- made of stainless steel
- maximum depth of the 1/1 GN containers is 200 mm
- manual filling up and draining of water from tanks
- thermostatically controlled within 30-95°C range
- electrical power 1600 W
- 230V, 50 Hz power supply
- two 530 mm GN support bars
- seamless tabletop connection with other units of the system



Width W (mm)	Cat. No.	Depth D=750 (mm)	
		Type	Price net (€)
920	<b>ST124091</b>	SS	<b>2013</b>
920	<b>ST124092</b>	G1	<b>tel.</b>
920	<b>ST124093</b>	G2	<b>tel.</b>

### ST 125

#### WATER BAIN-MARIE 3x GN 1/1, THREE-CHAMBER H=880 MM

- made of stainless steel
- maximum depth of the 1/1 GN containers is 200 mm
- manual filling up and draining of water from tanks
- thermostatically controlled within 30-95°C range
- electrical power 2400 W
- 230V, 50 Hz power supply
- three 325 mm GN support bars
- seamless tabletop connection with other units of the system



Width W (mm)	Cat. No.	Depth D=750 (mm)	
		Type	Price net (€)
1245	<b>ST125121</b>	SS	<b>2640</b>
1245	<b>ST125122</b>	G1	<b>tel.</b>
1245	<b>ST125123</b>	G2	<b>tel.</b>

### ST 126

#### WATER BAIN-MARIE 4x GN 1/1, FOUR-CHAMBER H=880 MM

- made of stainless steel
- maximum depth of the 1/1 GN containers is 200 mm
- manual filling up and draining of water from tanks
- thermostatically controlled within 30-95°C range
- electrical power 3200 W
- 230V, 50 Hz power supply
- four 325 mm support bars
- seamless tabletop connection with other units of the system



Width W (mm)	Cat. No.	Depth D=750 (mm)	
		Type	Price net (€)
1570	<b>ST126151</b>	SS	<b>3223</b>
1570	<b>ST126152</b>	G1	<b>tel.</b>
1570	<b>ST126153</b>	G2	<b>tel.</b>

**ST 127**

**ONE-SHELF NEUTRAL STAND  
H=880 MM**

- made of stainless steel
- seamless tabletop connection with other units of the system



Width W (mm)	Type SS Depth D=750 (mm)		Type G1 Depth D=750 (mm)		Type G2 Depth D=750 (mm)	
	Cat. No.	Price net (€)	Cat. No.	Price net (€)	Cat. No.	Price net (€)
500	ST127051	572	ST127052	tel.	ST127053	tel.
600	ST127061	660	ST127062	tel.	ST127063	tel.
700	ST127071	649	ST127072	tel.	ST127073	tel.
800	ST127081	693	ST127082	tel.	ST127083	tel.
900	ST127091	798	ST127092	tel.	ST127093	tel.
1000	ST127101	781	ST127102	tel.	ST127103	tel.
1100	ST127111	900	ST127112	tel.	ST127113	tel.
1200	ST127121	936	ST127122	tel.	ST127123	tel.
1300	ST127131	996	ST127132	tel.	ST127133	tel.
1400	ST127141	1050	ST127142	tel.	ST127143	tel.
1500	ST127151	990	ST127152	tel.	ST127153	tel.

**ST 128**

**TWO-SHELF NEUTRAL STAND  
H=880 MM**

- made of stainless steel
- middle shelf is fixed
- seamless tabletop connection with other units of the system

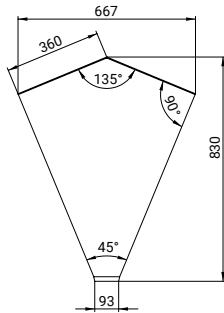


Width W (mm)	Type SS Depth D=750 (mm)		Type G1 Depth D=750 (mm)		Type G2 Depth D=750 (mm)	
	Cat. No.	Price net (€)	Cat. No.	Price net (€)	Cat. No.	Price net (€)
500	ST128051	750	ST128052	tel.	ST128053	tel.
600	ST128061	780	ST128062	tel.	ST128063	tel.
700	ST128071	759	ST128072	tel.	ST128073	tel.
800	ST128081	781	ST128082	tel.	ST128083	tel.
900	ST128091	936	ST128092	tel.	ST128093	tel.
1000	ST128101	924	ST128102	tel.	ST128103	tel.
1100	ST128111	1056	ST128112	tel.	ST128113	tel.
1200	ST128121	1110	ST128122	tel.	ST128123	tel.
1300	ST128131	1200	ST128132	tel.	ST128133	tel.
1400	ST128141	1278	ST128142	tel.	ST128143	tel.
1500	ST128151	1254	ST128152	tel.	ST128153	tel.

**ST 129**

**45 DEGREE INTERNAL CORNER STATION  
H=880 MM**

- seamless tabletop connection with other units of the system

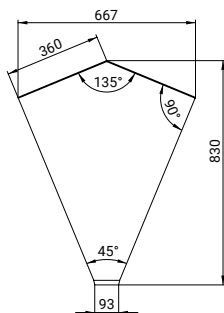


Width W (mm)	Depth D=830 (mm)		
	Cat. No.	Type	Price net (€)
667	ST129071	SS	780
667	ST129072	G1	tel.
667	ST129073	G2	tel.

**ST 130**

**45 DEGREE EXTERNAL CORNER STATION  
H=880 MM**

- seamless tabletop connection with other units of the system

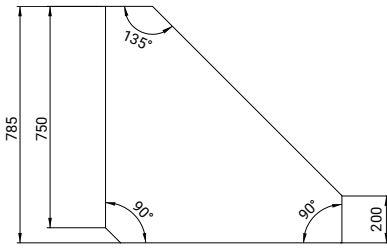


Width W (mm)	Depth D=830 (mm)		
	Cat. No.	Type	Price net (€)
667	ST130071	SS	750
667	ST130072	G1	tel.
667	ST130073	G2	tel.

## ST 131

### 90 DEGREE INTERNAL CORNER STATION H=880 MM

- seamless tabletop connection with other units of the system

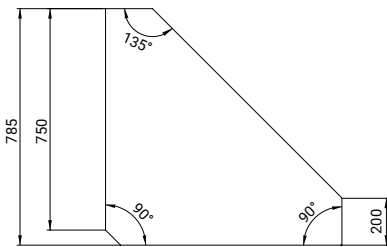


Width W (mm)	Depth D=785 (mm)		
	Cat. No.	Type	Price net (€)
785	<b>ST131111</b>	SS	<b>660</b>
785	<b>ST131112</b>	G1	tel.
785	<b>ST131113</b>	G2	tel.

## ST 132

### 90 DEGREE EXTERNAL CORNER STATION H=880 MM

- seamless tabletop connection with other units of the system

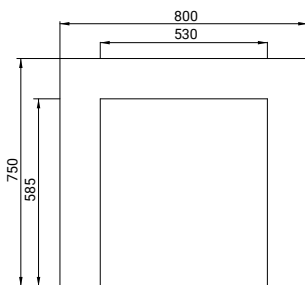


Width W (mm)	Depth D=785 (mm)		
	Cat. No.	Type	Price net (€)
785	<b>ST132111</b>	SS	<b>693</b>
785	<b>ST132112</b>	G1	tel.
785	<b>ST132113</b>	G2	tel.

## ST 133

### BOX H=880 MM

- seamless tabletop connection with other units of the system



Width W (mm)	Depth D=750 (mm)		
	Cat. No.	Type	Price net (€)
800	<b>ST133081</b>	SS	<b>726</b>
800	<b>ST133082</b>	G1	tel.
800	<b>ST133083</b>	G2	tel.

## ST 134

### INTERNAL CASHIER COUNTER H=880 MM

- equipped with the following sockets: electrical, telephone and network connection
- assembly of a drawer (optional)
- mounting holes in the counter top (optional)
- seamless tabletop connection with other units of the system



Width W (mm)	Depth D=750 (mm)		
	Cat. No.	Type	Price net (€)
800	<b>ST134081</b>	SS	<b>988</b>
800	<b>ST134082</b>	G1	tel.
800	<b>ST134083</b>	G2	tel.



**ST 135**

**OUTSIDE CASHIER COUNTER  
H=880 MM**

- equipped with the following sockets: electrical, telephone and network connection
- assembly of a drawer (optional)
- mounting holes in the counter top (optional)
- seamless tabletop connection with other units of the system

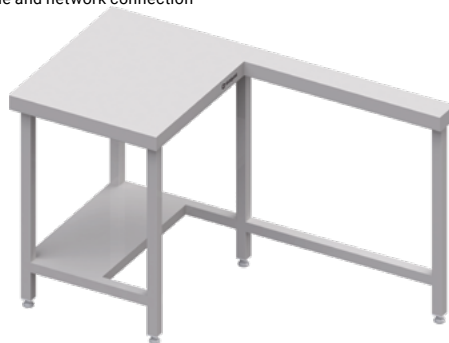


Width W (mm)	Depth D=750 (mm)		
	Cat. No.	Type	Price net (€)
1400	<b>ST135141</b>	SS	<b>936</b>
1400	<b>ST135142</b>	G1	<b>tel.</b>
1400	<b>ST135143</b>	G2	<b>tel.</b>

**ST 136**

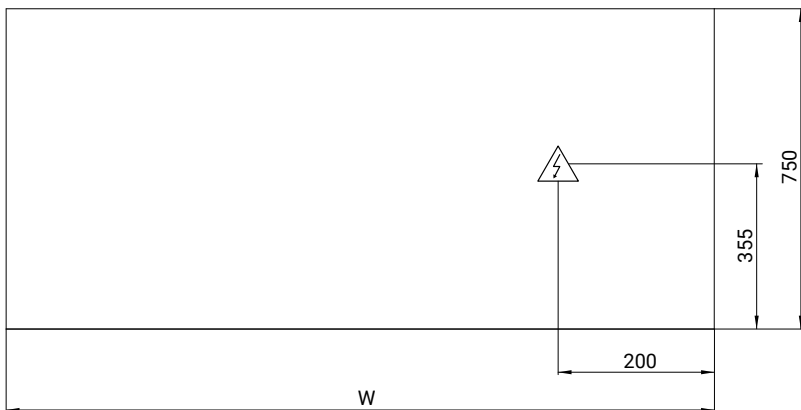
**OUTSIDE CASHIER COUNTER  
H=880 MM**

- equipped with the following sockets: electrical, telephone and network connection
- assembly of a drawer (optional)
- mounting holes in the counter top (optional)
- seamless tabletop connection with other units of the system



Width W (mm)	Depth D=750 (mm)		
	Cat. No.	Type	Price net (€)
1400	<b>ST136141</b>	SS	<b>1027</b>
1400	<b>ST136142</b>	G1	<b>tel.</b>
1400	<b>ST136143</b>	G2	<b>tel.</b>

**ELECTRICAL CONNECTION IN THE FLOOR**



Model	Bain-marie					
	ST121	ST122	ST123	ST124	ST125	ST126
Power supply chord, no. of wires x (mm <sup>2</sup> )	3x1.5	3x1.5	3x2.5	3x1.5	3x1.5	3x2.5
Voltage (V)	230	230	230	230	230	230

Model	+ Heated overshelf/LED				
	ST121	ST122	ST123	ST124	ST125
Power supply chord, no. of wires x (mm <sup>2</sup> )	3x1.5	5x1.5	5x2.5	3x1.5	5x1.5
Voltage (V)	230	400	400	230	400

**Outline of the plate from the serving staff side**

# Modular construction system

Serving lines



18

See sample 3D project.  
Ask about a project  
custom-made for you!



**ST 201**

**TWO-DOOR REFRIGERATING CABINET STATION  
H=880 MM**

- forced convection
- digital temperature display
- temperature in chamber 2-8°C
- dust filter
- electrical power 230 W
- 230V, 50 Hz power supply
- two sets of shelf rails
- two shelves
- capacity 250 l
- seamless tabletop connection with other units of the system



Width W (mm)	Depth D=750 (mm)		
	Cat. No.	Type	Price net (€)
1000	<b>ST201101</b>	SS	<b>3520</b>
1000	<b>ST201102</b>	G1	tel.
1000	<b>ST201103</b>	G2	tel.

**ST 202**

**THREE-DOOR REFRIGERATING CABINET STATION  
H=880 MM**

- forced convection
- digital temperature display
- temperature in chamber 2-8°C
- dust filter
- electrical power 320 W
- 230V, 50 Hz power supply
- three sets of shelf rails
- three shelves
- capacity 390 l
- seamless tabletop connection with other units of the system



Width W (mm)	Depth D=750 (mm)		
	Cat. No.	Type	Price net (€)
1465	<b>ST202151</b>	SS	<b>4290</b>
1465	<b>ST202152</b>	G1	tel.
1465	<b>ST202153</b>	G2	tel.

**ST 204**

**REFRIGERATING DISPLAY CABINET  
H=1100 MM**

- forced convection
- thermal insulation
- digital temperature display
- temperature in chamber 5-15°C
- lighting
- two removable tempered glass shelves
- dust filter
- electrical power 400 W
- 230V, 50 Hz power supply
- capacity 370 l

Width W (mm)	Depth D=600 (mm)	
	Cat. No.	Price net (€)
970	<b>ST204101</b>	<b>4180</b>

Sliding doors on staff side



Openable panels on customer side



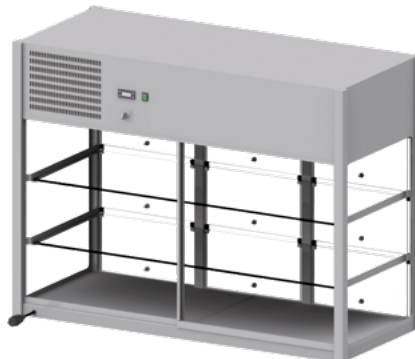
**ST 205**

**REFRIGERATING DISPLAY CABINET  
H=1135 MM**

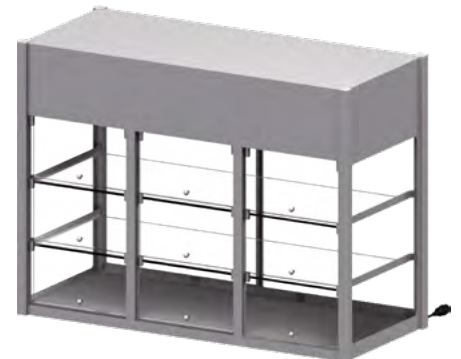
- forced convection
- thermal insulation
- digital temperature display
- temperature in chamber 5-15°C
- lighting
- two removable tempered glass shelves
- dust filter
- electrical power 800 W
- 230V, 50 Hz power supply
- capacity 550 l

Width W (mm)	Depth D=600 (mm)	
	Cat. No.	Price net (€)
1435	<b>ST205151</b>	<b>5720</b>

Sliding doors on staff side



Openable panels on customer side



## ST 262

### REFRIGERATING DISPLAY CABINET H=1100 MM

- forced convection
- thermal insulation
- digital temperature display
- temperature in chamber 5-15°C
- lighting
- two removable tempered glass shelves
- dust filter
- electrical power 400 W
- 230V, 50 Hz power supply
- capacity 370 l

Width W (mm)	Depth D=600 (mm)	
	Cat. No.	Price net (€)
970	<b>ST262101</b>	<b>3850</b>

Sliding doors on staff side



Heat filter glass on customer side



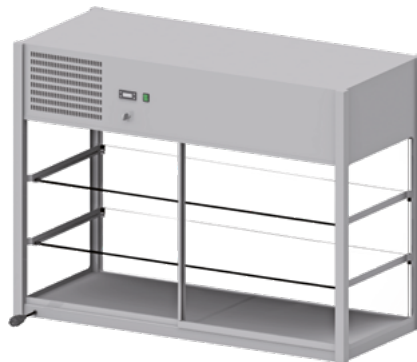
## ST 263

### REFRIGERATING DISPLAY CABINET H=1135 MM

- forced convection
- thermal insulation
- digital temperature display
- temperature in chamber 5-15°C
- lighting
- two removable tempered glass shelves
- dust filter
- electrical power 800 W
- 230V, 50 Hz power supply
- capacity 550 l

Width W (mm)	Depth D=600 (mm)	
	Cat. No.	Price net (€)
1435	<b>ST263151</b>	<b>5256</b>

Sliding doors on staff side



Heat filter glass on customer side



## ST 206

### SALAD COUNTER H=880 MM

- adapted to 10xGN ¼ h=150 mm
- forced convection
- digital temperature display
- temperature in chamber 2-8°C
- dust filter
- electrical power 230 W
- 230V, 50 Hz power supply
- two sets of shelf rails
- two shelves
- two 530 mm GN support bars
- two 325 mm GN support bars
- one 165 mm GN support bar
- capacity 250 l
- seamless tabletop connection with other units of the system



Width W (mm)	Depth D=750 (mm)		
	Cat. No.	Type	Price net (€)
1000	<b>ST206101</b>	SS	<b>3300</b>
1000	<b>ST206102</b>	G1	tel.
1000	<b>ST206103</b>	G2	tel.

## ST 207

### SALAD COUNTER H=880 MM

- adapted to 16xGN ¼ h=150 mm
- forced convection
- digital temperature display
- temperature in chamber 2-8°C
- dust filter
- electrical power 320 W
- 230V, 50 Hz power supply
- three sets of shelf rails
- three shelves
- three 530 mm GN support bars
- four 325 mm GN support bars
- capacity 390 l
- seamless tabletop connection with other units of the system



Width W (mm)	Depth D=750 (mm)		
	Cat. No.	Type	Price net (€)
1465	<b>ST207151</b>	SS	<b>4400</b>
1465	<b>ST207152</b>	G1	tel.
1465	<b>ST207153</b>	G2	tel.

**ST 208**

**BEVERAGE COOLING TABLE  
H=880 MM**

- forced convection
- digital temperature display
- temperature in chamber 2-8°C
- dust filter
- electrical power 230 W
- 230V, 50 Hz power supply
- two sets of shelf rails
- two shelves
- 3 perforated grates
- chamber: V (brutto) = 175 l
- cooling bath: V (brutto) = 65 l
- seamless tabletop connection with other units of the system



Width W (mm)	Depth D=750 (mm)		
	Cat. No.	Type	Price net (€)
1000	<b>ST208101</b>	SS	<b>3740</b>
1000	<b>ST208102</b>	G1	tel.
1000	<b>ST208103</b>	G2	tel.

**ST 209**

**BEVERAGE COOLING TABLE  
H=880 MM**

- forced convection
- digital temperature display
- temperature in chamber 2-8°C
- dust filter
- electrical power 320 W
- 230V, 50 Hz power supply
- three sets of shelf rails
- three shelves
- 4 perforated grates
- chamber: V (brutto) = 275 l
- cooling bath: V (brutto) = 100 l
- seamless tabletop connection with other units of the system



Width W (mm)	Depth D=750 (mm)		
	Cat. No.	Type	Price net (€)
1465	<b>ST209151</b>	SS	<b>4800</b>
1465	<b>ST209152</b>	G1	tel.
1465	<b>ST209153</b>	G2	tel.

**ST 210**

**COOLING STATION WITH COOLING COUNTER TOP  
H=880 MM**

- forced convection
- digital temperature display
- temperature in chamber 2-8°C
- dust filter
- electrical power 230 W
- 230V, 50 Hz power supply
- two sets of shelf rails
- two shelves
- capacity 250 l
- seamless tabletop connection with other units of the system



Width W (mm)	Depth D=750 (mm)		
	Cat. No.	Type	Price net (€)
1000	<b>ST210101</b>	SS	<b>3876</b>
1000	<b>ST210102</b>	G1	tel.
1000	<b>ST210103</b>	G2	tel.

**ST 211**

**COOLING STATION WITH COOLING COUNTER TOP  
H=880 MM**

- forced convection
- digital temperature display
- temperature in chamber 2-8°C
- dust filter
- electrical power 320 W
- 230V, 50 Hz power supply
- three sets of shelf rails
- three shelves
- capacity 390 l
- seamless tabletop connection with other units of the system



Width W (mm)	Depth D=750 (mm)		
	Cat. No.	Type	Price net (€)
1465	<b>ST211151</b>	SS	<b>4290</b>
1465	<b>ST211152</b>	G1	tel.
1465	<b>ST211153</b>	G2	tel.

### ST 212

#### BUILT-IN SINGLE BAIN-MARIE 2x GN 1/1 H=880 MM

- adapted to GN 1/1 h=200 mm
- filling up and draining of water from tanks done by hydraulic installation 3/4"
- chamber water pressure choke
- thermostatically controlled bain-marie top (within the range of 30-95°C)
- electrical power 1600 W
- 230V, 50 Hz power supply
- one 530 mm GN support bar
- two 325 mm GN support bars
- seamless tabletop connection with other units of the system



Width W (mm)	Cat. No.	Depth D=750 (mm)	
		Type	Price net (€)
799	<b>ST212081</b>	SS	<b>1870</b>
799	<b>ST212082</b>	G1	<a href="#">tel.</a>
799	<b>ST212083</b>	G2	<a href="#">tel.</a>

### ST 213

#### BUILT-IN SINGLE BAIN-MARIE 3x GN 1/1 H=880 MM

- adapted to GN 1/1 h=200 mm
- filling up and draining of water from tanks done by hydraulic installation 3/4"
- chamber water pressure choke
- thermostatically controlled bain-marie top (within the range of 30-95°C)
- electrical power 2400 W
- 230V, 50 Hz power supply
- one 530 mm GN support bar
- two 325 mm GN support bars
- seamless tabletop connection with other units of the system



Width W (mm)	Cat. No.	Depth D=750 (mm)	
		Type	Price net (€)
1132	<b>ST213111</b>	SS	<b>2145</b>
1132	<b>ST213112</b>	G1	<a href="#">tel.</a>
1132	<b>ST213113</b>	G2	<a href="#">tel.</a>

### ST 214

#### BUILT-IN SINGLE BAIN-MARIE 4x GN 1/1 H=880 MM

- adapted to GN 1/1 h=200 mm
- filling up and draining of water from tanks done by hydraulic installation 3/4"
- chamber water pressure choke
- thermostatically controlled bain-marie top (within the range of 30-95°C)
- electrical power 3200 W
- 230V, 50 Hz power supply
- three 530 mm GN support bars
- four 325 mm GN support bars
- seamless tabletop connection with other units of the system



Width W (mm)	Cat. No.	Depth D=750 (mm)	
		Type	Price net (€)
1465	<b>ST214151</b>	SS	<b>2453</b>
1465	<b>ST214152</b>	G1	<a href="#">tel.</a>
1465	<b>ST214153</b>	G2	<a href="#">tel.</a>

### ST 215

#### BUILT-IN DOUBLE BAIN-MARIE 2x GN 1/1 H=880 MM

- adapted to GN 1/1 h=200 mm
- filling up and draining of water from tanks done by hydraulic installation 3/4"
- chamber water pressure choke
- thermostatically controlled bain-marie top (within the range of 30-95°C)
- electrical power 1600 W
- 230V, 50 Hz power supply
- two 325 mm GN support bars
- seamless tabletop connection with other units of the system



Width W (mm)	Cat. No.	Depth D=750 (mm)	
		Type	Price net (€)
799	<b>ST215081</b>	SS	<b>2255</b>
799	<b>ST215082</b>	G1	<a href="#">tel.</a>
799	<b>ST215083</b>	G2	<a href="#">tel.</a>

**ST 216**

**BUILT-IN TRIPLE BAIN-MARIE 3x GN 1/1  
H=880 MM**

- adapted to GN 1/1 h=200 mm
- filling up and draining of water from tanks done by hydraulic installation 3/4"
- chamber water pressure choke
- thermostatically controlled bain-marie top (within the range of 30-95°C)
- electrical power 2400 W
- 230V, 50 Hz power supply
- three 325 mm GN support bar
- seamless tabletop connection with other units of the system



Width W (mm)	Depth D=750 (mm)		
	Cat. No.	Type	Price net (€)
1132	<b>ST216111</b>	SS	<b>2970</b>
1132	<b>ST216112</b>	G1	<b>tel.</b>
1132	<b>ST216113</b>	G2	<b>tel.</b>

**ST 217**

**BUILT-IN QUADRUPLÉ BAIN-MARIE 4x GN 1/1  
H=880 MM**

- adapted to GN 1/1 h=200 mm
- filling up and draining of water from tanks done by hydraulic installation 3/4"
- chamber water pressure choke
- thermostatically controlled bain-marie top (within the range of 30-95°C)
- electrical power 3200 W
- 230V, 50 Hz power supply
- four 325 mm GN support bars
- seamless tabletop connection with other units of the system



Width W (mm)	Depth D=750 (mm)		
	Cat. No.	Type	Price net (€)
1465	<b>ST217151</b>	SS	<b>3630</b>
1465	<b>ST217152</b>	G1	<b>tel.</b>
1465	<b>ST217153</b>	G2	<b>tel.</b>

**ST 218**

**BUILT-IN SINGLE BAIN-MARIE 2x GN 1/1, HINGED DOORS  
H=880 MM**

- adapted to GN 1/1 h=200 mm
- filling up and draining of water from tanks done by hydraulic installation 3/4"
- chamber water pressure choke
- thermostatically controlled bain-marie top (within the range of 30-95°C)
- electrical power 1600 W
- 230V, 50 Hz power supply
- one 530 mm GN support bar
- two 325 mm GN support bars
- seamless tabletop connection with other units of the system



Width W (mm)	Depth D=750 (mm)		
	Cat. No.	Type	Price net (€)
799	<b>ST218081</b>	SS	<b>2280</b>
799	<b>ST218082</b>	G1	<b>tel.</b>
799	<b>ST218083</b>	G2	<b>tel.</b>

**ST 219**

**BUILT-IN SINGLE BAIN-MARIE 3x GN 1/1, SLIDING DOORS  
H=880 MM**

- adapted to GN 1/1 h=200 mm
- filling up and draining of water from tanks done by hydraulic installation 3/4"
- chamber water pressure choke
- thermostatically controlled bain-marie top (within the range of 30-95°C)
- electrical power 2400 W
- 230V, 50 Hz power supply
- two 530 mm GN support bars
- three 325 mm GN support bar
- seamless tabletop connection with other units of the system



Width W (mm)	Depth D=750 (mm)		
	Cat. No.	Type	Price net (€)
1132	<b>ST219111</b>	SS	<b>2442</b>
1132	<b>ST219112</b>	G1	<b>tel.</b>
1132	<b>ST219113</b>	G2	<b>tel.</b>

## 18 Serving lines - Modular construction system

### ST 220

#### BUILT-IN SINGLE BAIN-MARIE 4x GN 1/1, SLIDING DOORS H=880 MM

- adapted to GN 1/1 h=200 mm
- filling up and draining of water from tanks done by hydraulic installation 3/4"
- chamber water pressure choke
- thermostatically controlled bain-marie top (within the range of 30-95°C)
- electrical power 3200 W
- 230V, 50 Hz power supply
- three 530 mm GN support bars
- four 325 mm GN support bars
- seamless tabletop connection with other units of the system



Width W (mm)	Cat. No.	Depth D=750 (mm)	
		Type	Price net (€)
1465	<b>ST220151</b>	SS	<b>3066</b>
1465	<b>ST220152</b>	G1	tel.
1465	<b>ST220153</b>	G2	tel.

### ST 221

#### BUILT-IN DOUBLE BAIN-MARIE 2x GN 1/1, HINGED DOORS H=880 MM

- adapted to GN 1/1 h=200 mm
- filling up and draining of water from tanks done by hydraulic installation 3/4"
- chamber water pressure choke
- thermostatically controlled bain-marie top (within the range of 30-95°C)
- electrical power 1600 W
- 230V, 50 Hz power supply
- two 325 mm GN support bars
- seamless tabletop connection with other units of the system



Width W (mm)	Cat. No.	Depth D=750 (mm)	
		Type	Price net (€)
799	<b>ST221081</b>	SS	<b>2486</b>
799	<b>ST221082</b>	G1	tel.
799	<b>ST221083</b>	G2	tel.

### ST 222

#### BUILT-IN TRIPLE BAIN-MARIE 3x GN 1/1, SLIDING DOORS H=880 MM

- adapted to GN 1/1 h=200 mm
- filling up and draining of water from tanks done by hydraulic installation 3/4"
- chamber water pressure choke
- thermostatically controlled bain-marie top (within the range of 30-95°C)
- electrical power 2400 W
- 230V, 50 Hz power supply
- three 325 mm GN support bar
- seamless tabletop connection with other units of the system



Width W (mm)	Cat. No.	Depth D=750 (mm)	
		Type	Price net (€)
1132	<b>ST222111</b>	SS	<b>3410</b>
1132	<b>ST222112</b>	G1	tel.
1132	<b>ST222113</b>	G2	tel.

### ST 223

#### BUILT-IN QUADRUPLE BAIN-MARIE 4x GN 1/1, SLIDING DOORS H=880 MM

- adapted to GN 1/1 h=200 mm
- filling up and draining of water from tanks done by hydraulic installation 3/4"
- chamber water pressure choke
- thermostatically controlled bain-marie top (within the range of 30-95°C)
- electrical power 3200 W
- 230V, 50 Hz power supply
- four 325 mm GN support bars
- seamless tabletop connection with other units of the system



Width W (mm)	Cat. No.	Depth D=750 (mm)	
		Type	Price net (€)
1465	<b>ST223151</b>	SS	<b>3960</b>
1465	<b>ST223152</b>	G1	tel.
1465	<b>ST223153</b>	G2	tel.



**ST 224**

**BUILT-IN SINGLE BAIN-MARIE 2x GN 1/1  
WITH HEATING CABINET, HINGED DOORS  
H=880 MM**

- adapted to GN 1/1 h=200 mm
- filling up and draining of water from tanks done by hydraulic installation 3/4"
- chamber water pressure choke
- thermostatically controlled bain-marie top (within the range of 30-95°C)
- thermostatically controlled temperature of heated chamber with the range of 30-70°C (control knob behind the right door)
- 1600 W bain-marie
- 1600 W heated cabinet
- 230V, 50 Hz power supply
- one 530 mm GN support bar
- two 325 mm GN support bars
- seamless tabletop connection with other units of the system



Width W (mm)	Depth D=750 (mm)		
	Cat. No.	Type	Price net (€)
799	<b>ST224081</b>	SS	<b>3000</b>
799	<b>ST224082</b>	G1	<b>tel.</b>
799	<b>ST224083</b>	G2	<b>tel.</b>

**ST 225**

**BUILT-IN SINGLE BAIN-MARIE 3x GN 1/1  
WITH HEATING CABINET, SLIDING DOORS  
H=880 MM**

- adapted to GN 1/1 h=200 mm
- filling up and draining of water from tanks done by hydraulic installation 3/4"
- chamber water pressure choke
- thermostatically controlled bain-marie top (within the range of 30-95°C)
- thermostatically controlled temperature of heated chamber with the range of 30-70°C (control knob behind the right door)
- 2400 W bain-marie
- 1600 W heated cabinet
- 400V, 50Hz power supply
- two 530 mm GN support bars
- three 325 mm GN support bars
- seamless tabletop connection with other units of the system



Width W (mm)	Depth D=750 (mm)		
	Cat. No.	Type	Price net (€)
1132	<b>ST225111</b>	SS	<b>3336</b>
1132	<b>ST225112</b>	G1	<b>tel.</b>
1132	<b>ST225113</b>	G2	<b>tel.</b>

**ST 226**

**BUILT-IN SINGLE BAIN-MARIE 4x GN 1/1  
WITH HEATING CABINET, SLIDING DOORS  
H=880 MM**

- adapted to GN 1/1 h=200mm
- filling up and draining of water from tanks done by hydraulic installation 3/4"
- chamber water pressure choke
- thermostatically controlled bain-marie top (within the range of 30-95°C)
- thermostatically controlled temperature of heated chamber with the range of 30-70°C (control knob behind the right door)
- 3200 W bain-marie
- 1600 W heated cabinet
- 400V, 50Hz power supply
- three 530 mm GN support bars
- four 325 mm GN support bars
- seamless tabletop connection with other units of the system



Width W (mm)	Depth D=750 (mm)		
	Cat. No.	Type	Price net (€)
1465	<b>ST226151</b>	SS	<b>3465</b>
1465	<b>ST226152</b>	G1	<b>tel.</b>
1465	<b>ST226153</b>	G2	<b>tel.</b>

**ST 227**

**BUILT-IN DOUBLE BAIN-MARIE 2x GN 1/1  
WITH HEATING CABINET, HINGED DOORS  
H=880 MM**

- adapted to GN 1/1 h=200 mm
- filling up and draining of water from tanks done by hydraulic installation 3/4"
- chamber water pressure choke
- thermostatically controlled bain-marie top (within the range of 30-95°C)
- thermostatically controlled temperature of heated chamber with the range of 30-70°C (control knob behind the right door)
- 1600 W bain-marie
- 1600 W heated cabinet
- 230V, 50 Hz power supply
- two 325 mm GN support bars
- seamless tabletop connection with other units of the system



Width W (mm)	Depth D=750 (mm)		
	Cat. No.	Type	Price net (€)
799	<b>ST227081</b>	SS	<b>3432</b>
799	<b>ST227082</b>	G1	<b>tel.</b>
799	<b>ST227083</b>	G2	<b>tel.</b>

## ST 228

### BUILT-IN TRIPLE BAIN-MARIE 3x GN 1/1 WITH HEATING CABINET, SLIDING DOORS H=880 MM

- adapted to GN 1/1 h=200 mm
- filling up and draining of water from tanks done by hydraulic installation 3/4"
- chamber water pressure choke
- thermostatically controlled bain-marie top (within the range of 30-95°C)
- thermostatically controlled temperature of heated chamber with the range of 30-70°C (control knob behind the right door)
- 2400 W bain-marie
- 1600 W heated cabinet
- 400V, 50Hz power supply
- three 325 mm GN support bar
- seamless tabletop connection with other units of the system



Width W (mm)	Depth D=750 (mm)		
	Cat. No.	Type	Price net (€)
1132	<b>ST228111</b>	SS	<b>3850</b>
1132	<b>ST228112</b>	G1	tel.
1132	<b>ST228113</b>	G2	tel.

## ST 229

### BUILT-IN QUADRUPLE BAIN-MARIE 4x GN 1/1 WITH HEATING CABINET, SLIDING DOORS H=880 MM

- adapted to GN 1/1 h=200 mm
- filling up and draining of water from tanks done by hydraulic installation 3/4"
- chamber water pressure choke
- thermostatically controlled bain-marie top (within the range of 30-95°C)
- thermostatically controlled temperature of heated chamber with the range of 30-70°C (control knob behind the right door)
- 3200 W bain-marie
- 1600 W heated cabinet
- 400V, 50Hz power supply
- four 325 mm GN support bars
- seamless tabletop connection with other units of the system



Width W (mm)	Depth D=750 (mm)		
	Cat. No.	Type	Price net (€)
1465	<b>ST229151</b>	SS	<b>4675</b>
1465	<b>ST229152</b>	G1	tel.
1465	<b>ST229153</b>	G2	tel.

## ST 230

### HEATING STATION WITH NEUTRAL COUNTER TOP H=880 MM

- the inside of the body with one height adjustable, perforated shelf
- thermostatically controlled (within the range of 30-70°C)
- electrical power with the following measurements:  
1000-1300 mm – 1600 W  
1400-1500 mm – 2000 W
- 230V, 50 Hz power supply
- seamless tabletop connection with other units of the system



Width W (mm)	Depth D=750 (mm)		
	Cat. No.	Type	Price net (€)
1000	<b>ST230101</b>	SS	<b>1925</b>
1100	<b>ST230111</b>	SS	<b>2160</b>
1200	<b>ST230121</b>	SS	<b>2256</b>
1300	<b>ST230131</b>	SS	<b>2340</b>
1400	<b>ST230141</b>	SS	<b>2424</b>
1500	<b>ST230151</b>	SS	<b>2520</b>
1000	<b>ST230102</b>	G1	tel.
1100	<b>ST230112</b>	G1	tel.
1200	<b>ST230122</b>	G1	tel.
1300	<b>ST230132</b>	G1	tel.
1400	<b>ST230142</b>	G1	tel.
1500	<b>ST230152</b>	G1	tel.
1000	<b>ST230103</b>	G2	tel.
1100	<b>ST230113</b>	G2	tel.
1200	<b>ST230123</b>	G2	tel.
1300	<b>ST230133</b>	G2	tel.
1400	<b>ST230143</b>	G2	tel.
1500	<b>ST230153</b>	G2	tel.

## ST 231

### HEATING STATION WITH HOT PLATE, GRANITE H=880 MM

- the inside of the body with one height adjustable, perforated shelf
- depth of the hot plate 510 mm
- thermostatically controlled (within the range of 30-85°C)
- thermostatically controlled heating cabinet within 30-70°C range
- 2000 W heated cabinet
- power supply: 230V for 799 mm neutral elements
- power supply: 400V for neutral elements of 1132 mm and 1465 mm
- seamless tabletop connection with other units of the system



Width W (mm)	Depth D=750 (mm)			
	Cat. No.	Type	Power (W)	Price net (€)
799	<b>ST231081</b>	SS	3600	<b>2530</b>
1132	<b>ST231111</b>	SS	4400	<b>3240</b>
1465	<b>ST231151</b>	SS	5600	<b>3536</b>
799	<b>ST231082</b>	G1	3600	tel.
1132	<b>ST231112</b>	G1	4400	tel.
1465	<b>ST231152</b>	G1	5600	tel.
799	<b>ST231083</b>	G2	3600	tel.
1132	<b>ST231113</b>	G2	4400	tel.
1465	<b>ST231153</b>	G2	5600	tel.

**ST 232**

**HEATING STATION WITH HOT PLATE, GRANITE  
H=880 MM**

- one height adjustable shelf
- depth of the hot plate 510 mm
- thermostatically controlled (within the range of 30-85°C)
- 230V, 50 Hz power supply
- seamless tabletop connection with other units of the system



Width W (mm)	Cat. No.	Depth D=750 (mm)			
		Type	Power (W)	Price net (€)	
799	<b>ST232081</b>	SS	1600	<b>1956</b>	
1132	<b>ST232111</b>	SS	2400	<b>2352</b>	
1465	<b>ST232151</b>	SS	3200	<b>2724</b>	
799	<b>ST232082</b>	G1	1600	tel.	
1132	<b>ST232112</b>	G1	2400	tel.	
1465	<b>ST232152</b>	G1	3200	tel.	
799	<b>ST232083</b>	G2	1600	tel.	
1132	<b>ST232113</b>	G2	2400	tel.	
1465	<b>ST232153</b>	G2	3200	tel.	

**ST 233**

**HEATING STATION WITH HOT PLATE, CERAMIC  
H=880 MM**

- one height adjustable shelf
- hot plate made of tempered glass
- depth of the hot plate 500 mm
- thermostatically controlled bain-marie top (within the range of 30-95°C)
- 300 W, 450 W or 600 W (depends of heating station width)
- 230V, 50 Hz power supply
- seamless tabletop connection with other units of the system

Width W (mm)	Cat. No.	Type	Depth D=750 (mm)			
			Number of plates	Power (W)	Price net (€)	
799	<b>ST233081</b>	SS	2	300	<b>2280</b>	
1132	<b>ST233111</b>	SS	3	450	<b>2728</b>	
1465	<b>ST233151</b>	SS	4	600	<b>3480</b>	
799	<b>ST233082</b>	G1	2	300	tel.	
1132	<b>ST233112</b>	G1	3	450	tel.	
1465	<b>ST233152</b>	G1	4	600	tel.	
799	<b>ST233083</b>	G2	2	300	tel.	
1132	<b>ST233113</b>	G2	3	450	tel.	
1465	<b>ST233153</b>	G2	4	600	tel.	



**ST 234**

**NEUTRAL STATION WITH TWO UNDERSHELVES  
H=880 MM**

- one height adjustable shelf
- seamless tabletop connection with other units of the system



Width W (mm)	Type SS		Type G1		Type G2	
	Depth D=750 (mm)		Depth D=750 (mm)		Depth D=750 (mm)	
	Cat. No.	Price net (€)	Cat. No.	Price net (€)	Cat. No.	Price net (€)
500	<b>ST234051</b>	<b>830,50</b>	<b>ST234052</b>	tel.	<b>ST234053</b>	tel.
600	<b>ST234061</b>	<b>880</b>	<b>ST234062</b>	tel.	<b>ST234063</b>	tel.
700	<b>ST234071</b>	<b>935</b>	<b>ST234072</b>	tel.	<b>ST234073</b>	tel.
800	<b>ST234081</b>	<b>995,50</b>	<b>ST234082</b>	tel.	<b>ST234083</b>	tel.
900	<b>ST234091</b>	<b>1067</b>	<b>ST234092</b>	tel.	<b>ST234093</b>	tel.
1000	<b>ST234101</b>	<b>1155</b>	<b>ST234102</b>	tel.	<b>ST234103</b>	tel.
1100	<b>ST234111</b>	<b>1320</b>	<b>ST234112</b>	tel.	<b>ST234113</b>	tel.
1200	<b>ST234121</b>	<b>1254</b>	<b>ST234122</b>	tel.	<b>ST234123</b>	tel.
1300	<b>ST234131</b>	<b>1440</b>	<b>ST234132</b>	tel.	<b>ST234133</b>	tel.
1400	<b>ST234141</b>	<b>1524</b>	<b>ST234142</b>	tel.	<b>ST234143</b>	tel.
1500	<b>ST234151</b>	<b>1452</b>	<b>ST234152</b>	tel.	<b>ST234153</b>	tel.

## 18 Serving lines - Modular construction system

### ST 235

#### BUILT-UP NEUTRAL STATION WITH HINGED DOOR H=880 MM

- one height adjustable shelf
- hinges to the right
- seamless tabletop connection with other units of the system



Width W (mm)	Depth D=750 (mm)		
	Cat. No.	Type	Price net (€)
500	ST235051	SS	1080
600	ST235061	SS	1034
500	ST235052	G1	tel.
600	ST235062	G1	tel.
500	ST235053	G2	tel.
600	ST235063	G2	tel.

### ST 236

#### BUILT-UP NEUTRAL STATION WITH HINGED DOORS H=880 MM

- one height adjustable shelf
- seamless tabletop connection with other units of the system



Width W (mm)	Depth D=750 (mm)		
	Cat. No.	Type	Price net (€)
700	ST236071	SS	1200
800	ST236081	SS	1320
900	ST236091	SS	1320
700	ST236072	G1	tel.
800	ST236082	G1	tel.
900	ST236092	G1	tel.
700	ST236073	G2	tel.
800	ST236083	G2	tel.
900	ST236093	G2	tel.

### ST 237

#### BUILT-UP NEUTRAL STATION WITH SLIDING DOORS H=880 MM

- one height adjustable shelf
- seamless tabletop connection with other units of the system

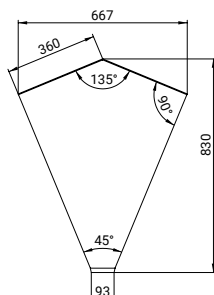


Width W (mm)	Depth D=750 (mm)		
	Cat. No.	Type	Price net (€)
900	ST237091	SS	1210
1000	ST237101	SS	1488
1100	ST237111	SS	1560
1200	ST237121	SS	1656
1300	ST237131	SS	1740
1400	ST237141	SS	1800
1500	ST237151	SS	1716
900	ST237092	G1	tel.
1000	ST237102	G1	tel.
1100	ST237112	G1	tel.
1200	ST237122	G1	tel.
1300	ST237132	G1	tel.
1400	ST237142	G1	tel.
1500	ST237152	G1	tel.
900	ST237093	G2	tel.
1000	ST237103	G2	tel.
1100	ST237113	G2	tel.
1200	ST237123	G2	tel.
1300	ST237133	G2	tel.
1400	ST237143	G2	tel.
1500	ST237153	G2	tel.

### ST 238

#### 45 DEGREES INTERNAL CORNER STATION H=880 MM

- one height adjustable shelf
- seamless tabletop connection with other units of the system

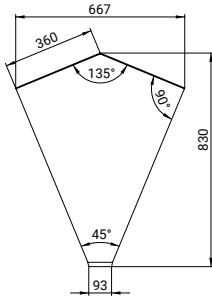


Width W (mm)	Depth D=830 (mm)		
	Cat. No.	Type	Price net (€)
667	ST238071	SS	918
667	ST238072	G1	tel.
667	ST238073	G2	tel.

**ST 239**

**45 DEGREES EXTERNAL CORNER STATION  
H=880 MM**

- closed housing
- seamless tabletop connection with other units of the system

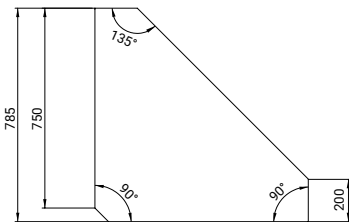


Width W (mm)	Depth D=830 (mm)		
	Cat. No.	Type	Price net (€)
667	<b>ST239071</b>	SS	<b>888</b>
667	<b>ST239072</b>	G1	tel.
667	<b>ST239073</b>	G2	tel.

**ST 240**

**90 DEGREES INTERNAL CORNER STATION  
H=880 MM**

- one height adjustable shelf
- seamless tabletop connection with other units of the system

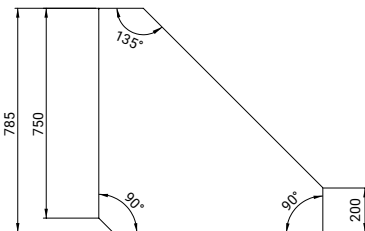


Width W (mm)	Depth D=785 (mm)		
	Cat. No.	Type	Price net (€)
785	<b>ST240111</b>	SS	<b>1068</b>
785	<b>ST240112</b>	G1	tel.
785	<b>ST240113</b>	G2	tel.

**ST 241**

**90 DEGREES EXTERNAL CORNER STATION  
H=880 MM**

- closed housing
- seamless tabletop connection with other units of the system

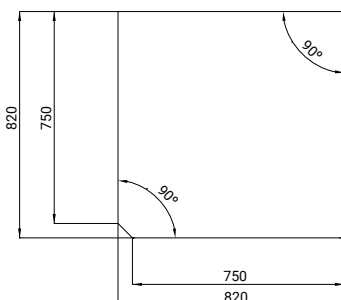


Width W (mm)	Depth D=785 (mm)		
	Cat. No.	Type	Price net (€)
785	<b>ST241111</b>	SS	<b>907,50</b>
785	<b>ST241112</b>	G1	tel.
785	<b>ST241113</b>	G2	tel.

**ST 266**

**90 DEGREES CORNER STATION  
H=880 MM**

- seamless tabletop connection with other units of the system



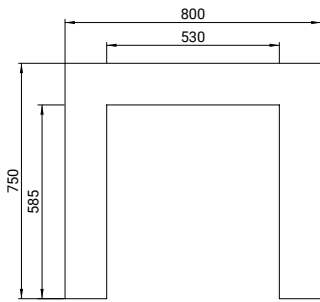
Width W (mm)	Depth D=820 (mm)		
	Cat. No.	Type	Price net (€)
820	<b>ST266081</b>	SS	<b>840</b>
820	<b>ST266082</b>	G1	tel.
820	<b>ST266083</b>	G2	tel.

## 18 Serving lines - Modular construction system

### ST 242

**BOX**  
**H=880 MM**

- seamless tabletop connection with other units of the system



Width W (mm)	Depth D=750 (mm)		
	Cat. No.	Type	Price net (€)
800	<b>ST242081</b>	SS	<b>902</b>
800	<b>ST242082</b>	G1	tel.
800	<b>ST242083</b>	G2	tel.

### ST 247

**INTERNAL CHECKOUT DESK**  
**H=880 MM**

- body equipped with the following sockets: electrical 230V, telephone, network connection
- assembly of a drawer (optional)
- mounting holes in the counter top (optional)
- seamless tabletop connection with other units of the system



Width W (mm)	Depth D=750 (mm)		
	Cat. No.	Type	Price net (€)
800	<b>ST247081</b>	SS	<b>1045</b>
800	<b>ST247082</b>	G1	tel.
800	<b>ST247083</b>	G2	tel.

### ST 248

**EXTERNAL CHECKOUT DESK**  
**H=880 MM**

- body equipped with the following sockets: electrical 230V, telephone, network connection
- assembly of a drawer (optional)
- mounting holes in the counter top (optional)
- seamless tabletop connection with other units of the system



Width W (mm)	Depth D=750 (mm)		
	Cat. No.	Type	Price net (€)
1400	<b>ST248141</b>	SS	<b>1224</b>
1400	<b>ST248142</b>	G1	tel.
1400	<b>ST248143</b>	G2	tel.

### ST 249

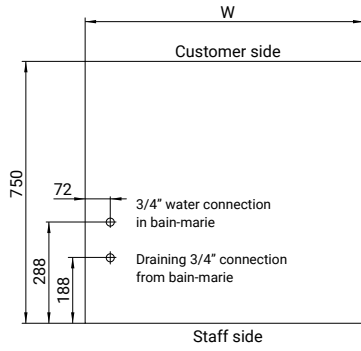
**EXTERNAL CHECKOUT DESK**  
**H=880 MM**

- body equipped with the following sockets: electrical 230V, telephone, network connection
- assembly of a drawer (optional)
- mounting holes in the counter top (optional)
- seamless tabletop connection with other units of the system



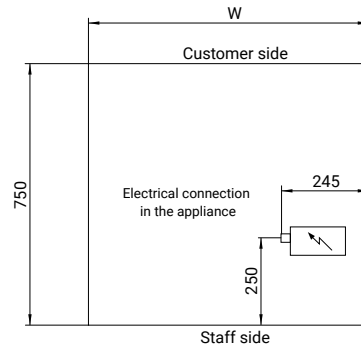
Width W (mm)	Depth D=750 (mm)		
	Cat. No.	Type	Price net (€)
1400	<b>ST249141</b>	SS	<b>1224</b>
1400	<b>ST249142</b>	G1	tel.
1400	<b>ST249143</b>	G2	tel.

**WATER CONNECTION**



**Top view**

**ELECTRICAL CONNECTION**



**Top view**

Model	Bain-marie						Bain-marie with heating cabinet					
	ST212	ST213	ST214	ST215	ST216	ST217	ST224	ST225	ST226	ST227	ST228	ST229
Power supply chord, no. of wires x (mm <sup>2</sup> )	3x1.5	3x1.5	3x2.5	3x1.5	3x1.5	3x2.5	3x2.5	5x1.5	5x2.5	3x2.5	5x1.5	5x2.5
Voltage (V)	230	230	230	230	230	230	230	400	400	230	400	400

+ Heated overshelf/LED												
Power supply chord, no. of wires x (mm <sup>2</sup> )	3x1.5	5x1.5	5x2.5	3x1.5	5x1.5	5x2.5	5x1.5	5x2.5	5x1.5	5x1.5	5x1.5	5x2.5
Voltage (V)	230	400	400	230	400	400	400	400	400	400	400	400

# Drop-in elements

Serving lines





**ST 301**

**NEUTRAL BATH FOR EXPOSURE ON ICE 2x GN 1/1  
H=15/210 MM**

- made of stainless steel
- thermal insulation
- draining tap 1/2"
- two perforated grates

Width W (mm)	Cat. No.	Depth D=620 (mm)	
		Type	Price net (€)
830	<b>ST301081</b>	SS	<b>552</b>



**ST 302**

**NEUTRAL BATH FOR EXPOSURE ON ICE 3x GN 1/1  
H=15/210 MM**

- made of stainless steel
- thermal insulation
- draining tap 1/2"
- three perforated grates

Width W (mm)	Cat. No.	Depth D=620 (mm)	
		Type	Price net (€)
1155	<b>ST302111</b>	SS	<b>636</b>



**ST 303**

**NEUTRAL BATH FOR EXPOSURE ON ICE 4x GN 1/1  
H=15/210 MM**

- made of stainless steel
- thermal insulation
- draining tap 1/2"
- four perforated grates

Width W (mm)	Cat. No.	Depth D=620 (mm)	
		Type	Price net (€)
1480	<b>ST303151</b>	SS	<b>744</b>



## 19 Serving lines - Drop-in elements

### ST 329

#### SALAD REFRIGERATED DISPLAY 1x GN 1/1 H=15/510 MM

- made of stainless steel
- static cooling
- thermal insulation
- digital temperature display
- temperature control within 2-8°C range
- dust filter
- adapted to GN 1/1 h=150 mm containers
- electrical power 230 W
- 230V, 50Hz power supply



Width W (mm)	Cat. No.	Depth D=620 (mm)	
		Type	Price net (€)
505	<b>ST329051</b>	SS	<b>1727</b>

### ST 304

#### SALAD REFRIGERATED DISPLAY 2x GN 1/1 H=15/510 MM

- made of stainless steel
- static cooling
- thermal insulation
- digital temperature display
- temperature control within 2-8°C range
- dust filter
- adapted to GN 1/1 h=150 mm containers
- electrical power 230 W
- 230V, 50Hz power supply
- one 530 mm GN support bar
- two 325 mm GN support bars



Width W (mm)	Cat. No.	Depth D=620 (mm)	
		Type	Price net (€)
830	<b>ST304081</b>	SS	<b>1870</b>

### ST 305

#### SALAD REFRIGERATED DISPLAY 3x GN 1/1 H=15/510 MM

- made of stainless steel
- static cooling
- thermal insulation
- digital temperature display
- temperature control within 2-8°C range
- dust filter
- adapted to GN 1/1 h=150 mm containers
- electrical power 230 W
- 230V, 50Hz power supply
- two 530 mm GN support bars
- three 325 mm GN support bars



Width W (mm)	Cat. No.	Depth D=620 (mm)	
		Type	Price net (€)
1150	<b>ST305111</b>	SS	<b>2024</b>

### ST 306

#### SALAD REFRIGERATED DISPLAY 4x GN 1/1 H=15/510 MM

- made of stainless steel
- static cooling
- thermal insulation
- digital temperature display
- temperature control within 2-8°C range
- dust filter
- adapted to GN 1/1 h=150 mm containers
- electrical power 230 W
- 230V, 50Hz power supply
- three 530 mm GN support bars
- four 325 mm GN support bars



Width W (mm)	Cat. No.	Depth D=620 (mm)	
		Type	Price net (€)
1480	<b>ST306151</b>	SS	<b>2145</b>

**ST 330**

**REFRIGERATED BEVERAGE BATH 1x GN 1/1  
H=15/510 MM**

- made of stainless steel
- static cooling
- thermal insulation
- digital temperature display
- temperature control within 2-8°C range
- dust filter
- one perforated grate
- electrical power 230 W
- 230V, 50Hz power supply



Width W (mm)	Cat. No.	Depth D=620 (mm)	
		Type	Price net (€)
505	<b>ST330051</b>	SS	<b>1815</b>

**ST 307**

**REFRIGERATED BEVERAGE BATH 2x GN 1/1  
H=15/510 MM**

- made of stainless steel
- static cooling
- thermal insulation
- digital temperature display
- control within 6-8°C
- dust filter
- two perforated grates
- electrical power 230 W
- 230V, 50Hz power supply



Width W (mm)	Cat. No.	Depth D=620 (mm)	
		Type	Price net (€)
830	<b>ST307081</b>	SS	<b>1958</b>

**ST 308**

**REFRIGERATED BEVERAGE BATH 3x GN 1/1  
H=15/510 MM**

- made of stainless steel
- static cooling
- thermal insulation
- digital temperature display
- control within 6-8°C
- dust filter
- three perforated grates
- electrical power 230 W
- 230V, 50Hz power supply



Width W (mm)	Cat. No.	Depth D=620 (mm)	
		Type	Price net (€)
1155	<b>ST308111</b>	SS	<b>2340</b>

**ST 309**

**REFRIGERATED BEVERAGE BATH 4x GN 1/1  
H=15/510 MM**

- made of stainless steel
- static cooling
- thermal insulation
- digital temperature display
- control within 6-8°C
- dust filter
- four perforated grates
- electrical power 230 W
- 230V, 50Hz power supply



Width W (mm)	Cat. No.	Depth D=620 (mm)	
		Type	Price net (€)
1480	<b>ST309151</b>	SS	<b>2200</b>

## 19 Serving lines - Drop-in elements

### ST 331

#### REFRIGERATED DISPLAY SURFACE 1x GN 1/1 H=15/440 MM

- made of stainless steel
- static cooling
- thermal insulation
- digital temperature display
- temperature of the top 2/+8°C
- dust filter
- electrical power 230 W
- 230V, 50Hz power supply



Width W (mm)	Cat. No.	Depth D=620 (mm)	
		Type	Price net (€)
505	<b>ST331051</b>	SS	<b>1668</b>

### ST 310

#### REFRIGERATED DISPLAY SURFACE 2x GN 1/1 H=15/440 MM

- made of stainless steel
- static cooling
- thermal insulation
- digital temperature display
- temperature of the top -2/+8°C
- dust filter
- electrical power 230 W
- 230V, 50Hz power supply



Width W (mm)	Cat. No.	Depth D=620 (mm)	
		Type	Price net (€)
830	<b>ST310081</b>	SS	<b>1595</b>

### ST 311

#### REFRIGERATED DISPLAY SURFACE 3x GN 1/1 H=15/440 MM

- made of stainless steel
- static cooling
- thermal insulation
- digital temperature display
- temperature of the top -2/+8°C
- dust filter
- electrical power 230 W
- 230V, 50Hz power supply



Width W (mm)	Cat. No.	Depth D=620 (mm)	
		Type	Price net (€)
1155	<b>ST311111</b>	SS	<b>1661</b>

### ST 312

#### REFRIGERATED DISPLAY SURFACE 4x GN 1/1 H=15/440 MM

- made of stainless steel
- static cooling
- thermal insulation
- digital temperature display
- temperature of the top -2/+8°C
- dust filter
- electrical power 230 W
- 230V, 50Hz power supply



Width W (mm)	Cat. No.	Depth D=620 (mm)	
		Type	Price net (€)
1480	<b>ST312151</b>	SS	<b>1760</b>

**ST 313**

**REFRIGERATED DISPLAY  
H=810/1355 MM**

- openable panels on customer side
- sliding doors on staff side
- beverage cooling tank
- forced convection
- digital temperature display
- temperature in chamber 6-12°C
- lighting
- two removable tempered glass shelves
- dust filter
- electrical power 400 W
- 230V, 50Hz power supply
- V (brutto) = 430 l



Width W (mm)	Depth D=620 (mm)	
	Cat. No.	Price net (€)
1155	<b>ST313111</b>	<b>6490</b>

**ST 314**

**REFRIGERATED DISPLAY  
H=810/1415 MM**

- openable panels on customer side
- sliding doors on staff side
- beverage cooling tank
- forced convection
- digital temperature display
- temperature in chamber 6-12°C
- lighting
- two removable tempered glass shelves
- dust filter
- electrical power 800 W
- 230V, 50Hz power supply
- V (brutto) = 570 l



Width W (mm)	Depth D=620 (mm)	
	Cat. No.	Price net (€)
1440	<b>ST314141</b>	<b>6930</b>

**ST 327**

**REFRIGERATED DISPLAY  
H=810/1355 MM**

- heat filter glass on customer side
- sliding doors on staff side
- beverage cooling tank
- forced convection
- digital temperature display
- temperature in chamber 6-12°C
- lighting
- two removable tempered glass shelves
- dust filter
- electrical power 400 W
- 230V, 50Hz power supply
- V (brutto) = 430 l



Width W (mm)	Depth D=620 (mm)	
	Cat. No.	Price net (€)
1155	<b>ST327111</b>	<b>6215</b>

**ST 328**

**REFRIGERATED DISPLAY  
H=810/1415 MM**

- heat filter glass on customer side
- sliding doors on staff side
- beverage cooling tank
- forced convection
- digital temperature display
- temperature in chamber 6-12°C
- lighting
- two removable tempered glass shelves
- dust filter
- electrical power 800 W
- 230V, 50Hz power supply
- V (brutto) = 570 l



Width W (mm)	Depth D=620 (mm)	
	Cat. No.	Price net (€)
1440	<b>ST328141</b>	<b>7080</b>

## 19 Serving lines - Drop-in elements

### ST 332

#### HEATED SURFACE 1x GN 1/1, GRANITE H=15/390 MM

- housing made of stainless steel
- depth of the hot plate 510 mm
- thermostatically controlled temperature of hot plate within 30-85°C range
- electrical power of hot plate 800 W
- 230V, 50Hz power supply



Width W (mm)	Cat. No.	Depth D=620 (mm)	
		Type	Price net (€)
505	<b>ST332051</b>	SS	<b>572</b>

### ST 315

#### HEATED SURFACE 2x GN 1/1, GRANITE H=15/390 MM

- housing made of stainless steel
- depth of the hot plate 510 mm
- thermostatically controlled temperature of hot plate within 30-85°C range
- electrical power of hot plate 1600 W
- 230V, 50Hz power supply



Width W (mm)	Cat. No.	Depth D=620 (mm)	
		Type	Price net (€)
830	<b>ST315081</b>	SS	<b>627</b>

### ST 316

#### HEATED SURFACE 3x GN 1/1, GRANITE H=15/390 MM

- housing made of stainless steel
- depth of the hot plate 510 mm
- thermostatically controlled temperature of hot plate within 30-85°C range
- electrical power of hot plate 2400 W
- 230V, 50Hz power supply



Width W (mm)	Cat. No.	Depth D=620 (mm)	
		Type	Price net (€)
1155	<b>ST316111</b>	SS	<b>792</b>

### ST 317

#### HEATED SURFACE 4x GN 1/1, GRANITE H=15/390 MM

- housing made of stainless steel
- depth of the hot plate 510 mm
- thermostatically controlled temperature of hot plate within 30-85°C range
- electrical power of hot plate 3200 W
- 230V, 50Hz power supply



Width W (mm)	Cat. No.	Depth D=620 (mm)	
		Type	Price net (€)
1480	<b>ST317151</b>	SS	<b>1012</b>

**ST 333**

**HEATED SURFACE 1x GN 1/1, CERAMIC  
H=15/390 MM**

- housing made of stainless steel
- hot plate made of tempered glass
- depth of the hot plate 500 mm
- thermostatically controlled temperature of hot plate within 30-95°C range
- electrical power of hot plate 150 W
- 230V, 50Hz power supply



Width W (mm)	Cat. No.	Depth D=620 (mm)	
		Type	Price net (€)
505	<b>ST333051</b>	SS	<b>1056</b>

**ST 318**

**HEATED SURFACE 2x GN 1/1, CERAMIC  
H=15/390 MM**

- housing made of stainless steel
- hot plate made of tempered glass
- depth of the hot plate 500 mm
- thermostatically controlled temperature of hot plate within 30-95°C range
- electrical power of hot plates 300 W
- 230V, 50Hz power supply



Width W (mm)	Cat. No.	Depth D=620 (mm)	
		Type	Price net (€)
830	<b>ST318081</b>	SS	<b>1500</b>

**ST 319**

**HEATED SURFACE 3x GN 1/1, CERAMIC  
H=15/390 MM**

- housing made of stainless steel
- hot plate made of tempered glass
- depth of the hot plate 500 mm
- thermostatically controlled temperature of hot plate within 30-95°C range
- electrical power of hot plates 450 W
- 230V, 50Hz power supply



Width W (mm)	Cat. No.	Depth D=620 (mm)	
		Type	Price net (€)
1155	<b>ST319111</b>	SS	<b>1800</b>

**ST 320**

**V4x GN 1/1, CERAMIC  
H=15/390 MM**

- housing made of stainless steel
- hot plate made of tempered glass
- depth of the hot plate 500 mm
- thermostatically controlled temperature of hot plate within 30-95°C range
- electrical power of hot plates 600 W
- 230V, 50Hz power supply



Width W (mm)	Cat. No.	Depth D=620 (mm)	
		Type	Price net (€)
1480	<b>ST320151</b>	SS	<b>2220</b>

## 19 Serving lines - Drop-in elements

### ST 334

#### SINGLE BAIN-MARIE 1x GN 1/1 H=15/390 MM

- made of stainless steel
- adapted to GN 1/1 h=200 mm containers
- manual filling up and draining of water from tanks
- thermostatically controlled temperature within 30-95°C range
- electrical power 800 W
- 230V, 50Hz power supply



Width W (mm)	Cat. No.	Depth D=620 (mm)	
		Type	Price net (€)
505	<b>ST334051</b>	SS	<b>902</b>

### ST 321

#### SINGLE BAIN-MARIE 2x GN 1/1 H=15/390 MM

- made of stainless steel
- adapted to GN 1/1 h=200 mm containers
- manual filling up and draining of water from tanks
- thermostatically controlled temperature within 30-95°C range
- electrical power 1600 W
- 230V, 50Hz power supply
- one 530 mm GN support bar
- two 325 mm GN support bars



Width W (mm)	Cat. No.	Depth D=620 (mm)	
		Type	Price net (€)
830	<b>ST321081</b>	SS	<b>990</b>

### ST 322

#### SINGLE BAIN-MARIE 3x GN 1/1 H=15/390 MM

- made of stainless steel
- adapted to GN 1/1 h=200 mm containers
- manual filling up and draining of water from tanks
- thermostatically controlled temperature within 30-95°C range
- electrical power 2400 W
- 230V, 50Hz power supply
- two 530 mm GN support bars
- three 325 mm GN support bars



Width W (mm)	Cat. No.	Depth D=620 (mm)	
		Type	Price net (€)
1155	<b>ST322111</b>	SS	<b>1100</b>

### ST 323

#### SINGLE BAIN-MARIE 4x GN 1/1 H=15/390 MM

- made of stainless steel
- adapted to GN 1/1 h=200 mm containers
- manual filling up and draining of water from tanks
- thermostatically controlled temperature within 30-95°C range
- electrical power 3200 W
- 230V, 50Hz power supply
- three 530 mm GN support bars
- four 325 mm GN support bars



Width W (mm)	Cat. No.	Depth D=620 (mm)	
		Type	Price net (€)
1480	<b>ST323151</b>	SS	<b>1232</b>



**ST 324**

**DOUBLE BAIN-MARIE 2x GN 1/1  
H=15/390 MM**

- made of stainless steel
- adapted to GN 1/1 h=200 mm containers
- manual filling up and draining of water from tanks
- thermostatically controlled temperature within 30-95°C range
- electrical power 1600 W
- 230V, 50Hz power supply
- two 325 mm GN support bar

Width W (mm)	Depth D=620 (mm)		
	Cat. No.	Type	Price net (€)
830	<b>ST324081</b>	SS	<b>1380</b>



**ST 325**

**TRIPLE BAIN-MARIE 3x GN 1/1  
H=15/390 MM**

- made of stainless steel
- adapted to GN 1/1 h=200 mm containers
- manual filling up and draining of water from tanks
- thermostatically controlled temperature within 30-95°C range
- electrical power 2400 W
- 230V, 50Hz power supply
- three 325 mm GN support bars

Width W (mm)	Depth D=620 (mm)		
	Cat. No.	Type	Price net (€)
1155	<b>ST325111</b>	SS	<b>1738</b>



**ST 326**

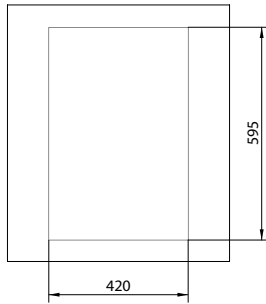
**QUADRUPLE BAIN-MARIE 4x GN 1/1  
H=15/390 MM**

- made of stainless steel
- adapted to GN 1/1 h=200 mm containers
- manual filling up and draining of water from tanks
- thermostatically controlled temperature within 30-95°C range
- electrical power 3200 W
- 230V, 50Hz power supply
- four 325 mm GN support bars

Width W (mm)	Depth D=620 (mm)		
	Cat. No.	Type	Price net (€)
1480	<b>ST326151</b>	SS	<b>2222</b>

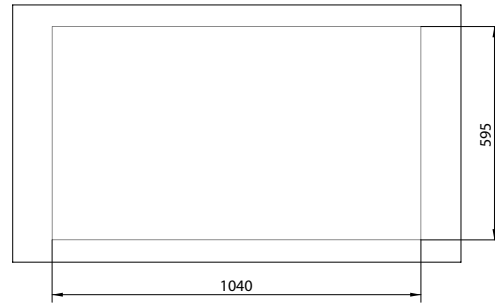


CUTOUTS FOR INSTALLATION OF 505x620 MM BATHS



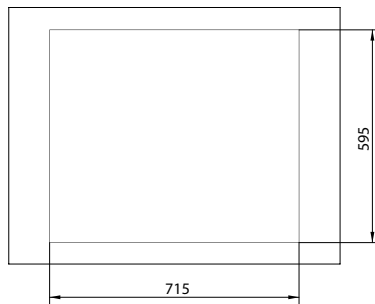
Top view

CUTOUTS FOR INSTALLATION OF 1155x620 MM BATHS



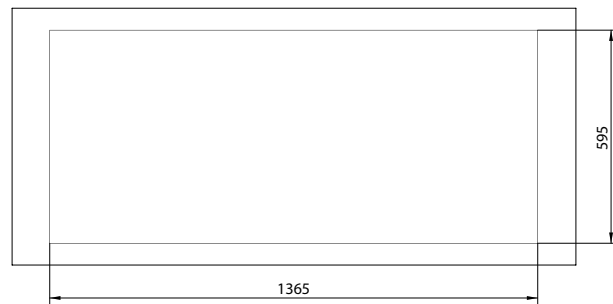
Top view

CUTOUTS FOR INSTALLATION OF 830x620 MM BATHS



Top view

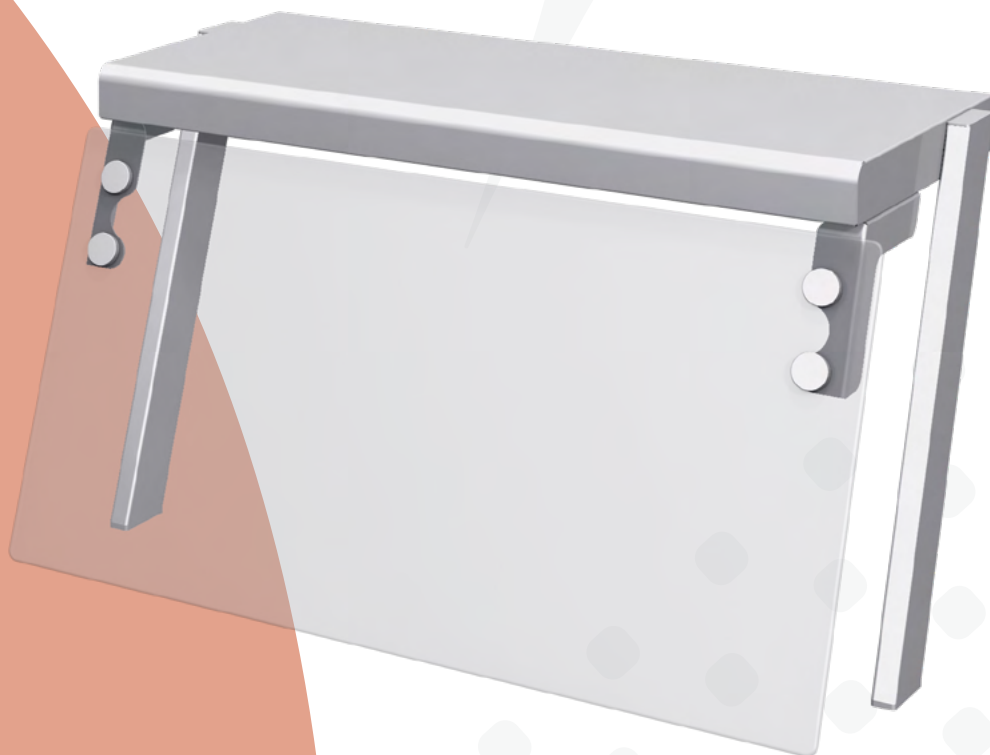
CUTOUTS FOR INSTALLATION OF 1480x620 MM BATHS



Top view

# Additional equipment

Serving lines



## 20 Serving lines - Additional equipment

### ST 250

#### SINGLE NEUTRAL EXTENSION H=450 MM

- glass of the extension made of tempered glass
- optional side glasses - additional payment
- shelf made of stainless steel



Width W (mm)	Cat. No.	Depth D=450 (mm)	
		To be matched with elements (size in mm)	Price net (€)
434	<b>ST250051</b>	505x620	<b>480</b>
767	<b>ST250081</b>	799x750 830x620 920x750	<b>462</b>
968	<b>ST250101</b>	1000x750	<b>470,80</b>
1100	<b>ST250111</b>	1132x750 1155x620 1245x750	<b>506</b>
1433	<b>ST250151</b>	1465x750 1480x620 1570x750	<b>572</b>

### ST 251

#### SINGLE HEATING EXTENSION H=450 MM

- HALOTHERM heating elements
- glass of the extension made of tempered glass
- optional side glasses - additional payment
- shelf made of stainless steel
- on/off switch button placed in the shelf on the right (staff side)
- power supply at the right hand side
- 230V, 50Hz power supply



Width W (mm)	Cat. No.	Depth D=450 (mm)		
		To be matched with elements (size in mm)	Power (W)	Price net (€)
434	<b>ST251051</b>	505x620	300	<b>780</b>
767	<b>ST251081</b>	799x750 830x620 920x750	600	<b>869</b>
968	<b>ST251101</b>	1000x750	600	<b>1032</b>
1100	<b>ST251111</b>	1132x750 1155x620 1245x750	900	<b>1056</b>
1433	<b>ST251151</b>	1465x750 1480x620 1570x750	900	<b>1265</b>

### ST 252

#### SINGLE EXTENSION WITH LIGHTING H=450 MM

- glass of the extension made of tempered glass
- optional side glasses - additional payment
- shelf made of stainless steel
- led lighting
- on/off switch button placed in the shelf on the right (staff side)
- power supply at the right hand side
- 230V, 50Hz power supply



Width W (mm)	Cat. No.	Depth D=450 (mm)		
		To be matched with elements (size in mm)	Power (W)	Price net (€)
434	<b>ST252051</b>	505x620	11	<b>624</b>
767	<b>ST252081</b>	799x750 830x620 920x750	19	<b>594</b>
968	<b>ST252101</b>	1000x750	25	<b>605</b>
1100	<b>ST252111</b>	1132x750 1155x620 1245x750	27	<b>632,50</b>
1433	<b>ST252151</b>	1465x750 1480x620 1570x750	38	<b>814</b>

### ST 253

#### DOUBLE NEUTRAL EXTENSION H=700 MM

- glass of the extension made of tempered glass
- optional side glasses - additional payment
- shelves made of stainless steel



Width W (mm)	Cat. No.	Depth D=540 (mm)	
		To be matched with elements (size in mm)	Price net (€)
434	<b>ST253051</b>	505x620	<b>600</b>
767	<b>ST253081</b>	799x750 830x620 920x750	<b>648</b>
968	<b>ST253101</b>	1000x750	<b>690</b>
1100	<b>ST253111</b>	1132x750 1155x620 1245x750	<b>687,50</b>
1433	<b>ST253151</b>	1465x750 1480x620 1570x750	<b>742,50</b>

**ST 254**

**DOUBLE HEATING EXTENSION  
H=700 MM**

- HALOTHERM heating elements
- glass of the extension made of tempered glass
- optional side glasses - additional payment
- shelves made of stainless steel
- on/off switch button placed in the bottom shelf on the right (staff side)
- power supply at the right hand side
- 230V, 50Hz power supply



Width W (mm)	Cat. No.	Depth D=540 (mm)		
		To be matched with elements (size in mm)	Power (W)	Price net (€)
434	<b>ST254051</b>	505x620	300	<b>1020</b>
767	<b>ST254081</b>	799x750 830x620 920x750	600	<b>1092</b>
968	<b>ST254101</b>	1000x750	600	<b>1198,80</b>
1100	<b>ST254111</b>	1132x750 1155x620 1245x750	900	<b>1232</b>
1433	<b>ST254151</b>	1465x750 1480x620 1570x750	900	<b>1476</b>

**ST 255**

**DOUBLE EXTENSION WITH LIGHTING  
H=700 MM**

- glass of the extension made of tempered glass
- optional side glasses - additional payment
- shelves made of stainless steel
- led lighting
- on/off switch button placed in the bottom shelf on the right (staff side)
- power supply at the right hand side
- 230V, 50Hz power supply



Width W (mm)	Cat. No.	Depth D=540 (mm)		
		To be matched with elements (size in mm)	Power (W)	Price net (€)
434	<b>ST255051</b>	505x620	11	<b>792</b>
767	<b>ST255081</b>	799x750 830x620 920x750	19	<b>816</b>
968	<b>ST255101</b>	1000x750	25	<b>852</b>
1100	<b>ST255111</b>	1132x750 1155x620 1245x750	27	<b>803</b>
1433	<b>ST255151</b>	1465x750 1480x620 1570x750	38	<b>924</b>

**ST 268**

**SINGLE NEUTRAL EXTENSION (BENT GLASS)  
H=450 MM**

- glass of the extension made of tempered glass
- optional side glasses - additional payment



Width W (mm)	Cat. No.	Depth D=455 (mm)	
		To be matched with elements (size in mm)	Price net (€)
790	<b>ST268081</b>	799x750 830x620 920x750	<b>473</b>
990	<b>ST268101</b>	1000x750	<b>561</b>
1122	<b>ST268111</b>	1132x750 1155x620 1245x750	<b>649</b>

**ST 269**

**SINGLE HEATING EXTENSION (BENT GLASS)  
H=450 MM**

- HALOTHERM heating elements
- glass of the extension made of tempered glass
- optional side glasses - additional payment
- on/off switch button placed in the shelf on the right (staff side)
- power supply at the right hand side
- 230V, 50Hz power supply



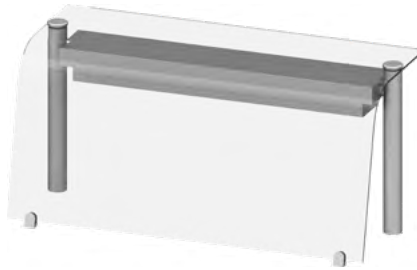
Width W (mm)	Cat. No.	Depth D=540 (mm)		
		To be matched with elements (size in mm)	Power (W)	Price net (€)
790	<b>ST269081</b>	799x750 830x620 920x750	600	<b>1044</b>
990	<b>ST269101</b>	1000x750	600	<b>1152</b>
1122	<b>ST269111</b>	1132x750 1155x620 1245x750	900	<b>1281,50</b>

## 20 Serving lines - Additional equipment

### ST 270

#### SINGLE EXTENSION WITH LIGHTING (BENT GLASS) H=450 MM

- glass of the extension made of tempered glass
- optional side glasses - additional payment
- led lighting
- on/off switch button placed on the right (staff side)
- power supply at the right hand side
- 230V, 50Hz power supply

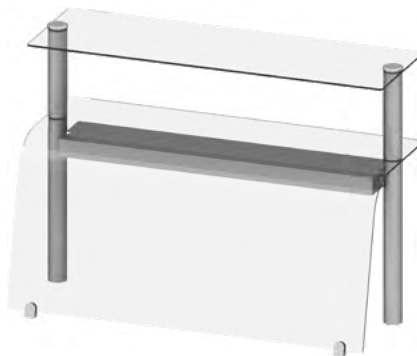


Width W (mm)	Cat. No.	Depth D=455 (mm)		
		To be matched with elements (size in mm)	Power (W)	
790	<b>ST270081</b>	799x750 830x620 920x750	19	<b>693</b>
990	<b>ST270101</b>	1000x750	25	<b>731,50</b>
1122	<b>ST270111</b>	1132x750 1155x620 1245x750	27	<b>946</b>

### ST 271

#### DOUBLE NEUTRAL EXTENSION (BENT GLASS) H=700 MM

- glass of the extension made of tempered glass
- optional side glasses - additional payment

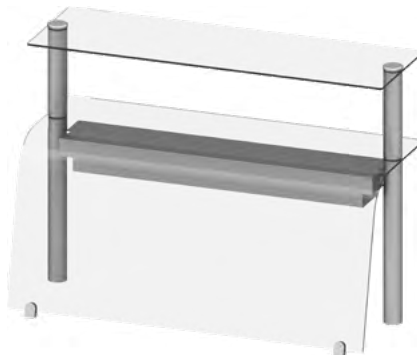


Width W (mm)	Cat. No.	Depth D=455 (mm)	
		To be matched with elements (size in mm)	Price net (€)
790	<b>ST271081</b>	799x750 830x620 920x750	<b>834</b>
990	<b>ST271101</b>	1000x750	<b>960</b>
1122	<b>ST271111</b>	1132x750 1155x620 1245x750	<b>996</b>

### ST 272

#### DOUBLE HEATING EXTENSION (BENT GLASS) H=700 MM

- HALOTHERM heating elements
- glass of the extension made of tempered glass
- optional side glasses - additional payment
- on/off switch button placed on the right (staff side)
- power supply at the right hand side
- 230V, 50Hz power supply

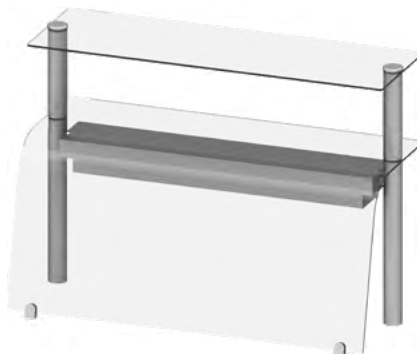


Width W (mm)	Cat. No.	Depth D=455 (mm)		
		To be matched with elements (size in mm)	Power (W)	
790	<b>ST272081</b>	799x750 830x620 920x750	600	<b>1320</b>
990	<b>ST272101</b>	1000x750	600	<b>1524</b>
1122	<b>ST272111</b>	1132x750 1155x620 1245x750	900	<b>1551</b>

### ST 273

#### DOUBLE EXTENSION WITH LIGHTING (BENT GLASS) H=700 MM

- glass of the extension made of tempered glass
- optional side glasses - additional payment
- led lighting
- on/off switch button placed on the right (staff side)
- power supply at the right hand side
- 230V, 50Hz power supply

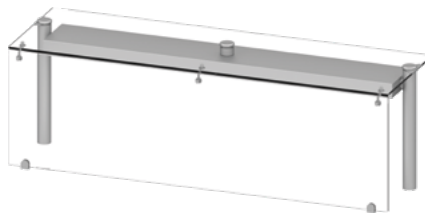


Width W (mm)	Cat. No.	Depth D=455 (mm)		
		To be matched with elements (size in mm)	Power (W)	
790	<b>ST273081</b>	799x750 830x620 920x750	19	<b>1134</b>
990	<b>ST273101</b>	1000x750	25	<b>1224</b>
1122	<b>ST273111</b>	1132x750 1155x620 1245x750	27	<b>1188</b>

**ST 275**

**SINGLE NEUTRAL EXTENSION, CLOSED (90-DEGREE ANGLE)**  
**H=460 MM**

- glass of the extension made of tempered glass
- optional side glasses - additional payment



Width W (mm)	Cat. No.	Depth D=450 (mm)	
		To be matched with elements (size in mm)	Price net (€)
790	<b>ST275081</b>	920x750	<b>706</b>
990	<b>ST275101</b>	1132x750	<b>884</b>
1122	<b>ST275111</b>	1465x750	<b>911</b>
1456	<b>ST275151</b>	1570x750	<b>1101</b>

**NEW**

**ST 279**

**SINGLE EXTENSION WITH LIGHTING, CLOSED (90-DEGREE ANGLE)**  
**H=460 MM**

- glass of the extension made of tempered glass
- optional side glasses - additional payment
- led lighting
- on/off switch button placed on the right (staff side)
- power supply at the right hand side
- 230V, 50Hz power supply



Width W (mm)	Cat. No.	Depth D=450 (mm)	
		To be matched with elements (size in mm)	Power (W) Price net (€)
790	<b>ST279081</b>	920x750	19 <b>830</b>
990	<b>ST279101</b>	1132x750	25 <b>1048</b>
1122	<b>ST279111</b>	1465x750	27 <b>1088</b>
1456	<b>ST279151</b>	1570x750	38 <b>1312</b>

**NEW**

**ST 277**

**SINGLE HEATING EXTENSION, CLOSED (90-DEGREE ANGLE)**  
**H=460 MM**

- HALOTHERM heating elements
- glass of the extension made of tempered glass
- optional side glasses - additional payment
- on/off switch button placed on the right (staff side)
- power supply at the right hand side
- 230V, 50Hz power supply



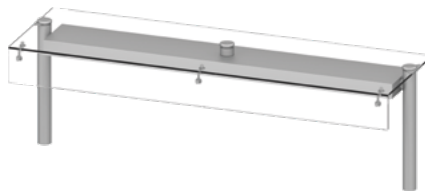
Width W (mm)	Cat. No.	Depth D=450 (mm)	
		To be matched with elements (size in mm)	Power (W) Price net (€)
790	<b>ST277081</b>	920x750	600 <b>1088</b>
990	<b>ST277101</b>	1132x750	600 <b>1278</b>
1122	<b>ST277111</b>	1465x750	900 <b>1468</b>
1456	<b>ST277151</b>	1570x750	900 <b>1682</b>

**NEW**

**ST 274**

**SINGLE NEUTRAL EXTENSION, OPEN (90-DEGREE ANGLE)**  
**H=460 MM**

- glass of the extension made of tempered glass



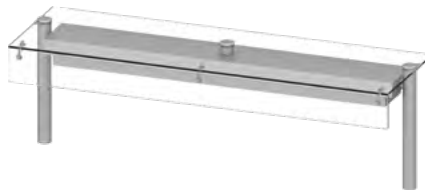
Width W (mm)	Cat. No.	Depth D=450 (mm)	
		To be matched with elements (size in mm)	Price net (€)
790	<b>ST274081</b>	920x750	<b>496</b>
990	<b>ST274101</b>	1132x750	<b>568</b>
1122	<b>ST274111</b>	1465x750	<b>658</b>
1456	<b>ST274151</b>	1570x750	<b>787</b>

**NEW**

**ST 278**

**SINGLE EXTENSION WITH LIGHTING, OPEN (90-DEGREE ANGLE)**  
**H=460 MM**

- glass of the extension made of tempered glass
- led lighting
- on/off switch button placed on the right (staff side)
- power supply at the right hand side
- 230V, 50Hz power supply



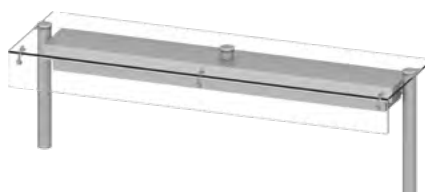
Width W (mm)	Cat. No.	Depth D=450 (mm)	
		To be matched with elements (size in mm)	Power (W) Price net (€)
790	<b>ST278081</b>	920x750	19 <b>642</b>
990	<b>ST278101</b>	1132x750	25 <b>728</b>
1122	<b>ST278111</b>	1465x750	27 <b>830</b>
1456	<b>ST278151</b>	1570x750	38 <b>995</b>

**NEW**

**ST 276**

**SINGLE HEATING EXTENSION, OPEN (90-DEGREE ANGLE)**  
**H=460 MM**

- HALOTHERM heating elements
- glass of the extension made of tempered glass
- on/off switch button placed on the right (staff side)
- power supply at the right hand side
- 230V, 50Hz power supply



Width W (mm)	Cat. No.	Depth D=450 (mm)	
		To be matched with elements (size in mm)	Power (W) Price net (€)
790	<b>ST276081</b>	920x750	600 <b>878</b>
990	<b>ST276101</b>	1132x750	600 <b>963</b>
1122	<b>ST276111</b>	1465x750	900 <b>1216</b>
1456	<b>ST276151</b>	1570x750	900 <b>1369</b>

**NEW**

## 20 Serving lines - Additional equipment

### ST 243

#### SINGLE HEATED MOBILE PLATE DISTRIBUTOR H=880 MM

- dispenser for 50 plates with regulation of diameter within 250-300 mm
- double walled housing with insulated space between
- removable dispenser for easy cleaning
- regulated springs
- cover made of polycarbonate
- thermostatically controlled within 30-70°C range
- electrical power 800 W
- 230V, 50Hz power supply
- set of  $\phi=100$  mm castors (2 with brake)



Width W (mm)	Depth D=510 (mm)	
	Cat. No.	Price net (€)
550	<b>ST243051</b>	1397

### ST 244

#### DOUBLE HEATED MOBILE PLATE DISTRIBUTOR H=880 MM

- double walled housing with insulated space between
- two dispensers for 50 plates each with regulation of diameter within 250-300 mm
- removable dispenser for easy cleaning
- regulated springs
- cover made of polycarbonate
- thermostatically controlled within 30-70°C range
- electrical power 1600 W
- 230V, 50Hz power supply
- set of  $\phi=100$  mm castors (2 with brake)



Width W (mm)	Depth D=510 (mm)	
	Cat. No.	Price net (€)
1000	<b>ST244101</b>	2079

### ST 245

#### SINGLE NEUTRAL MOBILE PLATE DISTRIBUTOR H=880 MM

- double walled housing with insulated space between
- dispenser for 50 plates with regulation of diameter within 250-300 mm
- removable dispenser for easy cleaning
- regulated springs
- cover made of polycarbonate
- set of  $\phi=100$  mm castors (2 with brake)



Width W (mm)	Depth D=510 (mm)	
	Cat. No.	Price net (€)
550	<b>ST245051</b>	1089

### ST 246

#### DOUBLE NEUTRAL MOBILE PLATE DISTRIBUTOR H=880 MM

- double walled housing with insulated space between
- two dispensers for 50 plates each with regulation of diameter within 250-300 mm
- removable dispenser for easy cleaning
- regulated springs
- cover made of polycarbonate
- set of  $\phi=100$  mm castors (2 with brake)



Width W (mm)	Depth D=510 (mm)	
	Cat. No.	Price net (€)
1000	<b>ST246101</b>	1540



**ST 256**

**CUTLERY EXTENSION  
H=700 MM**

- mounted on neutral counter top or box
- frame adjusted for 4x GN 1/4

Width W (mm)	Depth D=450 (mm)	
	Cat. No.	Price net (€)
768	<b>ST256071</b>	<b>550</b>



**ST 257**

**MOBILE CUTLERY STATION, STAINLESS STEEL  
H=1580 MM**

- frame adjusted for 4x GN 1/4

Width W (mm)	Depth D=575 (mm)	
	Cat. No.	Price net (€)
860	<b>ST257091</b>	<b>1127,50</b>



**ST 261**

**MOBILE CUTLERY STATION, LAMINATED COUNTER TOP  
H=1580 MM**

- frame adjusted for 4x GN 1/4
- choice of colour of laminated counter top according to pattern sheet (p. 180)

Width W (mm)	Depth D=575 (mm)	
	Cat. No.	Price net (€)
860	<b>ST261091</b>	<b>1308</b>



**ST 264**

**TROLLEY WITH HEIGHT ADJUSTABLE PLATFORM  
H=1050 MM**

- smooth regulation of lifting of the trolley platform
- regulated springs
- max. tray size: 580x365 mm

Width W (mm)	Depth D=840 (mm)	
	Cat. No.	Price net (€)
470	<b>ST264051</b>	<b>1320</b>



## 20 Serving lines - Additional equipment

### ST 258

#### SERVING LINE TRAY SLIDE H=120 MM

- made of stainless steel
- no. of consoles depends on the no. of stations in serving line
- space between bars: 100 mm
- bar  $\phi=33,7$  mm

Width W (mm)	Depth D=335 (mm)	
	Cat. No.	Price net (€)
1000	<b>ST258031</b>	<b>246</b>

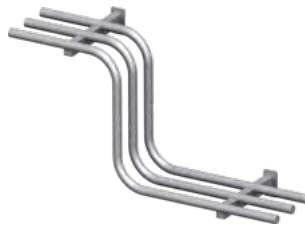


### ST 265

#### SERVING LINE TRAY SLIDE H=450 MM

- made of stainless steel
- space between bars: 100 mm
- bar  $\phi=33,7$  mm

Width W (mm)	Depth D=335 (mm)	
	Cat. No.	Price net (€)
600	<b>ST265031</b>	<b>324</b>

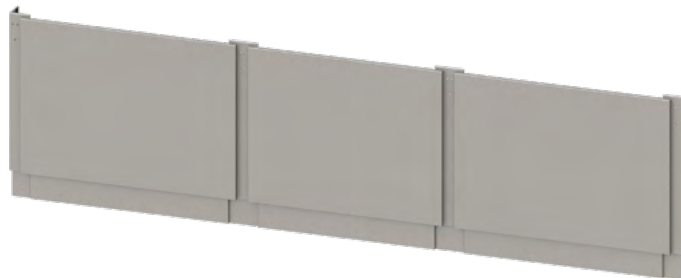


### ST 259

#### FRONT PANEL WITH PLINTH, STAINLESS STEEL H=830 MM

- stainless steel front panel and vertical covers (p. 179)
- stainless steel decorative panel
- symmetrically placed panels
- maximum length of panel 1400 mm
- h=120 mm stainless steel plinth

Width W (mm)	Depth D=20 (mm)	
	Cat. No.	Price net (€)
1000	<b>ST259</b>	<b>358,80</b>



### ST 260

#### FRONT PANEL WITH PLINTH, LAMINATED H=830 MM

- construction and masking posts made of stainless (p. 179)
- laminated board decorative panel
- choice of the colour of the laminated counter top from the colour sheet (p. 180)
- symmetrically placed panels
- maximum length of panel 1400 mm
- h=120 mm stainless steel plinth

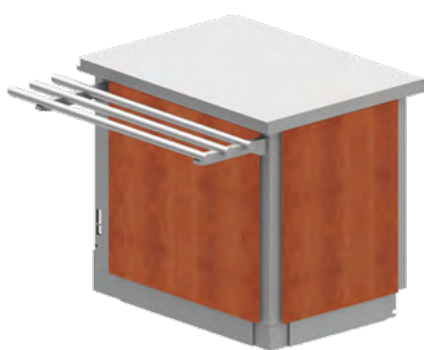
Width W (mm)	Depth D=20 (mm)	
	Cat. No.	Price net (€)
1000	<b>ST260</b>	<b>238,80</b>



SAMPLE CONSTRUCTIONS

Framed construction system

Modular construction system



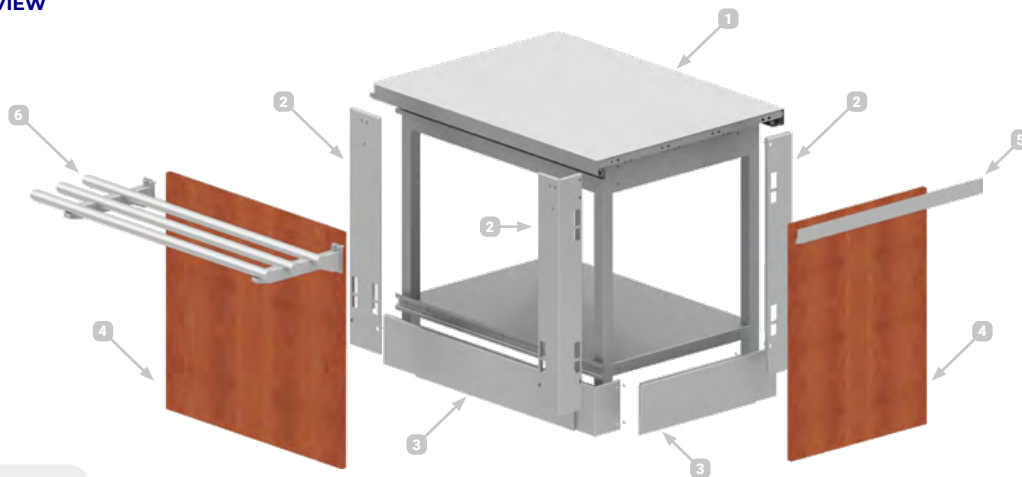
View from customer side



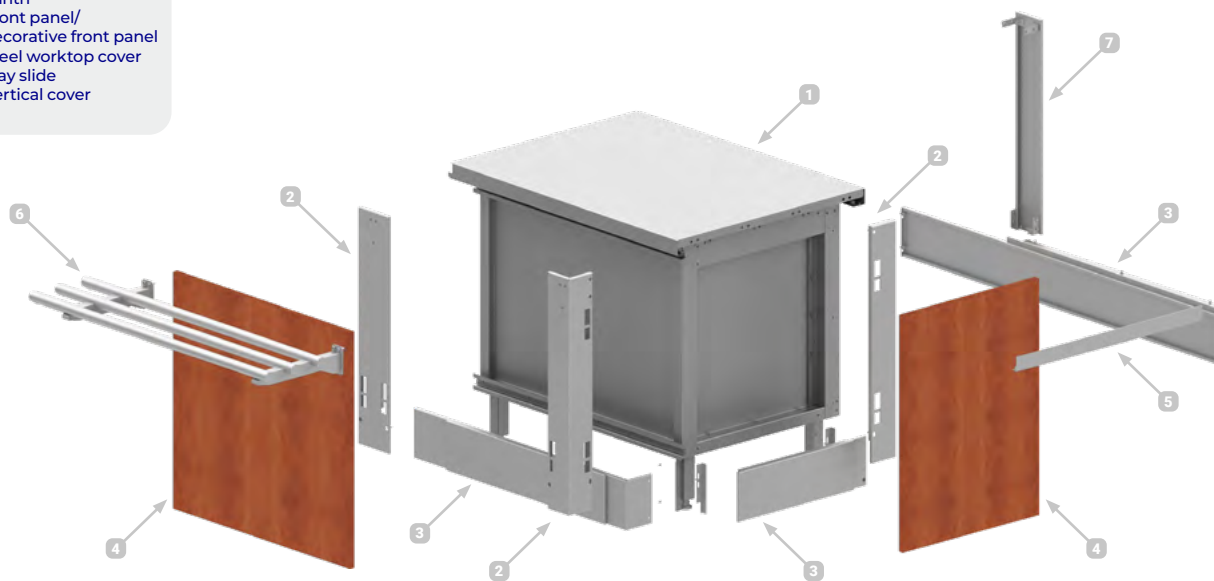
View from staff side



EXPLODED VIEW



- 1. Neutral element
- 2. Bracket
- 3. Plinth
- 4. Front panel/  
decorative front panel
- 5. Steel worktop cover
- 6. Tray slide
- 7. Vertical cover



## Serving lines - Sample of decorative panels

### AVAILABLE FINISHES OF LAMINATED DECORATIVE PANEL



LIGHT OAK



WINDSOR OAK



BEECH



ALDER



PEAR TREE



LOCARNO  
APPLE TREE



VENETIAN WALNUT



BURGUNDIAN  
WALNUT



ANCONA OAK



BERNO CHESTNUT



BRUNICO OAK



STOCKHOLM OAK



ANTHRACITE



LEMON GREEN



CAPPUCCINO

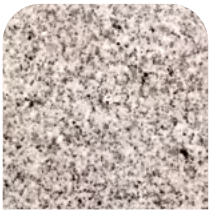


CORAL



Colors in the photos may differ from the actual colors of the panels. Our consultants can help select color of materials. Color's availability is checked during order processing.

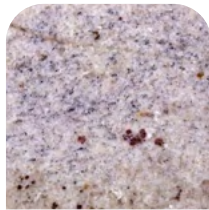
### SAMPLES OF GRANITE TABLETOPS



STRZEGOM / GRAY  
STONE



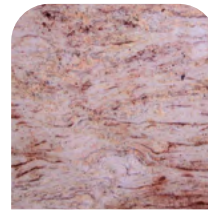
MADURA GOLD



KASHMIR WHITE



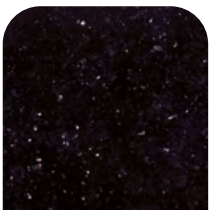
KASHMIR GOLD



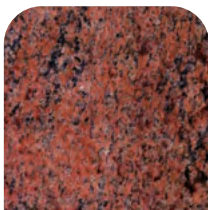
IVORY BROWN



ABSOLUT BLACK



BLACK GALAXY



MULTICOLOR RED



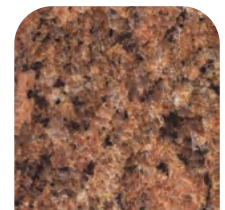
NERO ZIMBABWE



OLIVE GREEN  
FLOWER



OLIVE GREEN LINES



GIALLO VENEZIANO



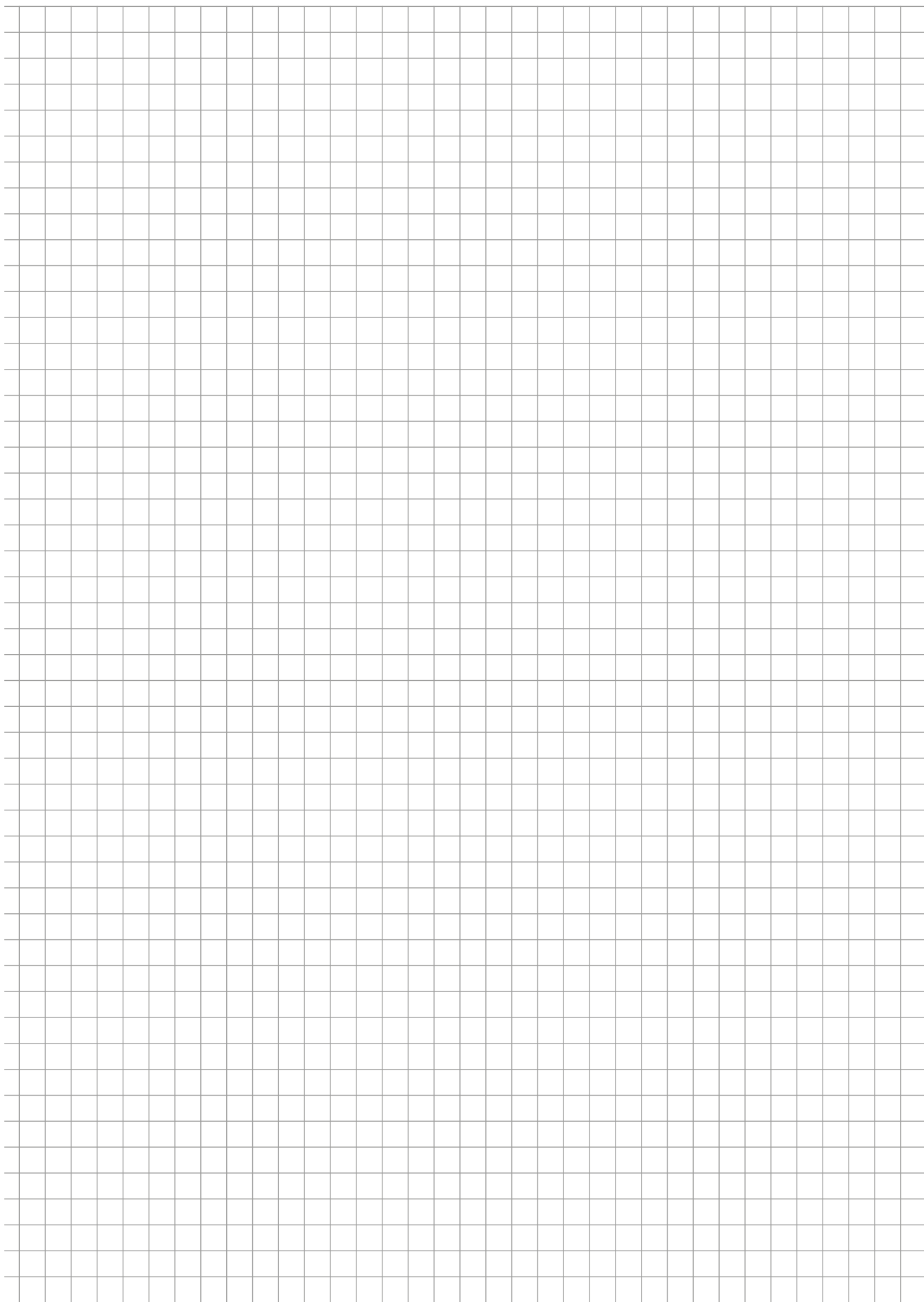
ROSSO AFRICA

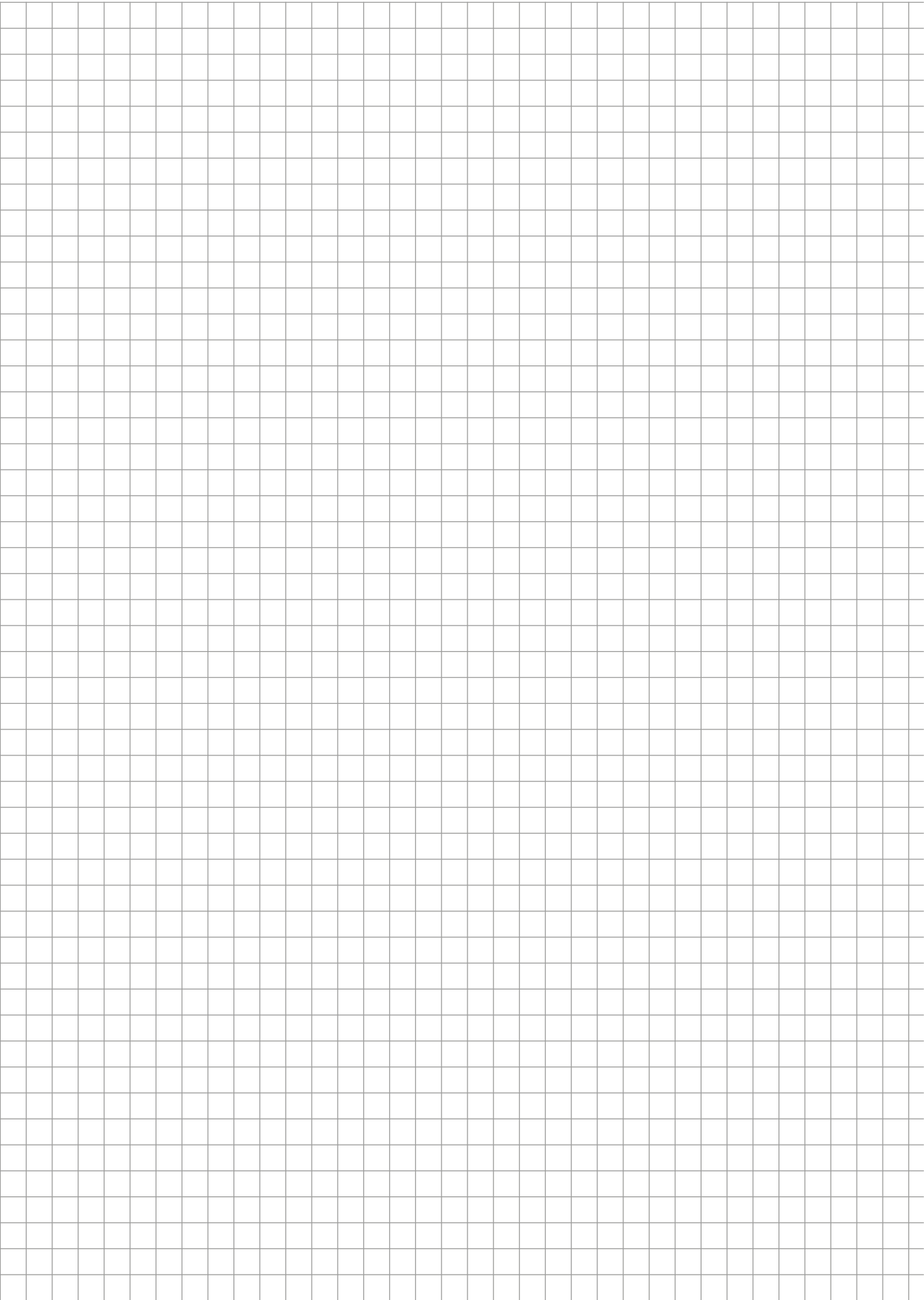


BALTIC BROWN



Colors in the photos may differ from the actual colors of the panels. Our consultants can help select color of materials. Color's availability is checked during order processing.









## Contact us



**Stalgast sp. z o. o.**  
03-736, Plac Konesera 9  
Warsaw, Poland



[stalgast.eu](http://stalgast.eu)  
**E-mail:**  
[export@stalgast.com](mailto:export@stalgast.com)

KMEN4\_2023\_09\_12

