



by  stalgast

ECO line furniture

Made of stainless steel



FUNCTIONAL



ECONOMICAL



EASY TO INSTALL





We support gastronomy in **ECO style**



Polish production,
European quality



>7500 products
in stock



20 000
pallet spaces



More than 600
employees



98% product
availability

We have been supporting gastro businesses in Poland and abroad for over 30 years!

We are a team of professionals in various areas: engineers and designers, sales managers who are also your product advisors, culinary experts and service technicians. We have a business approach to gastronomy and share your strive to succeed. That's why we advise, support, cooperate but, above all, build long-lasting partnerships. We offer effective solutions and reliable equipment, while supporting our customers all the way from business idea to fully functioning successful business. Gastronomy is our passion. In cooperation with the best specialists, we produce gastronomy equipment and select products from renowned global manufacturers.

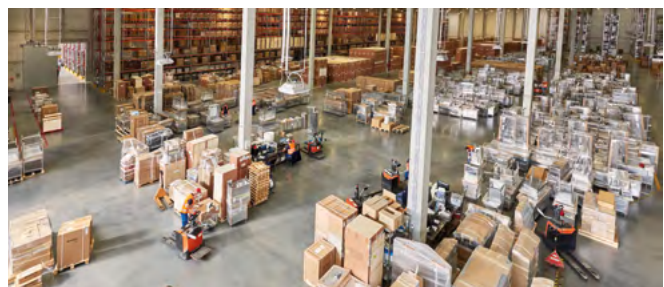
We are happy to share our experience and knowledge of gastronomy with you!



Our Logistics Center, built in 2018, is one of the largest and most advanced in the industry. We use state-of-the-art equipment and processes to ensure safe and fast deliveries to our domestic and foreign customers.

- 20 000 pallet capacity
- Same-day shipments
- Over 7500 products in stock
- 10 ramps

**Stalgast
Modern
Logistics
Center**





Polish production

Modern Factory of Gastronomy Equipment in Radom.

We have been manufacturing gastronomy equipment and accessories since 2008. Our factory in Radom was completely overhauled in 2020 to ensure we operate the most advanced production facilities.

Our products include “24h” and „on demand” stainless steel furniture, professional dishwashers, ventilation hoods, commercial kitchen range and serving lines.

We are the only company in the country that manufactures gastronomic accessories made of plastic, including dishwasher baskets and cutting boards. We keep adding new products from this group to our offer.

As a market leader, we have introduced innovative, environmentally friendly solutions in the production of stainless steel furniture, and we are successfully expanding this process on other product ranges.



Our 20-strong Research and Development Center is constantly working to ensure the quality of our products.



We work with **220 partners** in over **40 countries**



stalcast.eu



export@stalcast.com



GREDIL

ECO line furniture

A professional kitchen means professional equipment, including stainless steel furniture. In addition to the safety aspects, ease of use in daily work or corrosion resistance are extremely important. The GREDIL ECO product line meets all these expectations.



Ease of use and assembly made of stainless steel



Corrosion resistance suitable for use in the catering industry

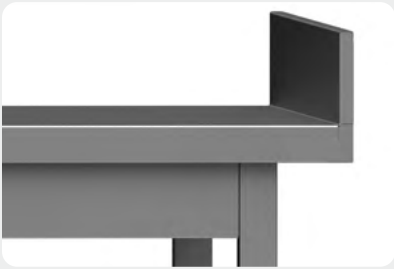


Food safety certificate to work safety

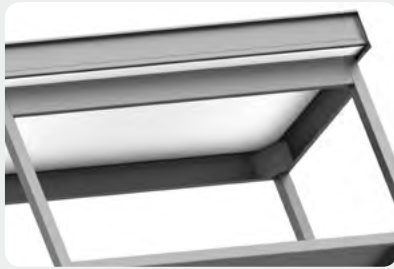


Production in Europe guarantees fast and flexible delivery

box edge



working table top is reinforced with a laminated board



solid connection of the top with the legs



lower reinforcement leg connection system



easy to assemble shelf





Technical durability, versatility in use and ease of maintenance are reliable features of all stainless-steel furniture. Explore the additional features of the GREDIL ECO line

- The gap between the floor and the bottom edge of the profile, shelf or the bottom of the furniture is 150 mm
- The bodies of tables, cabinets and lockers are equipped with adjustable shelves
- The furniture is equipped with a protective equipotential pin
- Assembly tools included
- Assembly tools included
- The furniture is delivered in compact cardboard packaging
- The basins are equipped with a front cover
- The Back box edge has the dimensions of 100x15mm
- The table tops overhang the table base: 30 mm at the front, 15 mm at the sides and 80 mm at the back

table top with a chamber reinforced with a metal profile



triple connection system of the chamber of the basin with the leg



shelves and the bottom plate of the cabinet are reinforced with the beams



easy mounting of the console to the shelf top



shelf mounting system in the shelves

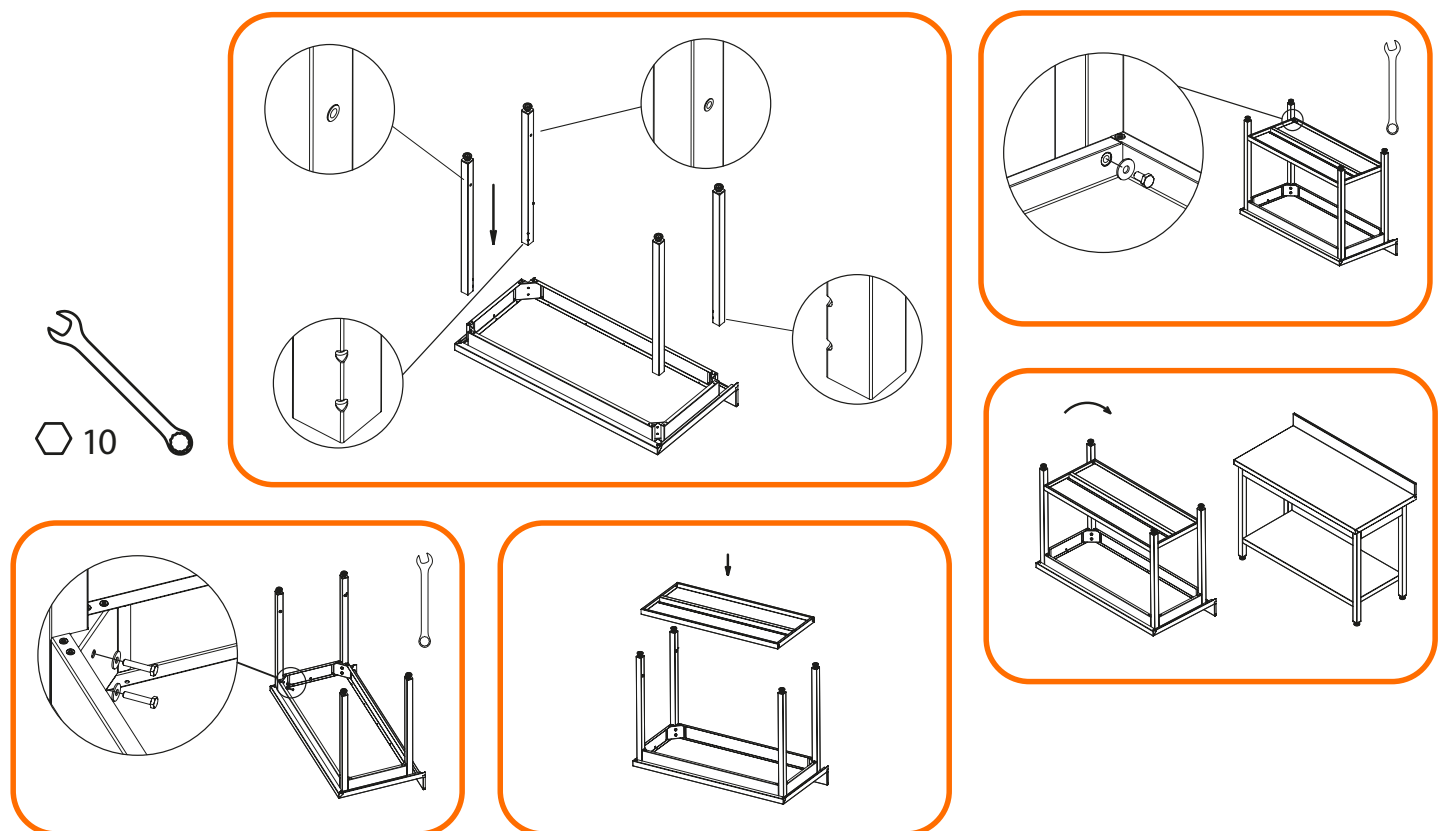




There are two types of stainless steel furniture on the catering market because of the way it is manufactured: welded furniture and bolted furniture for self-assembly.

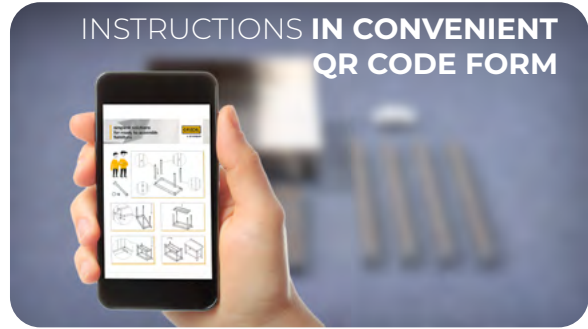
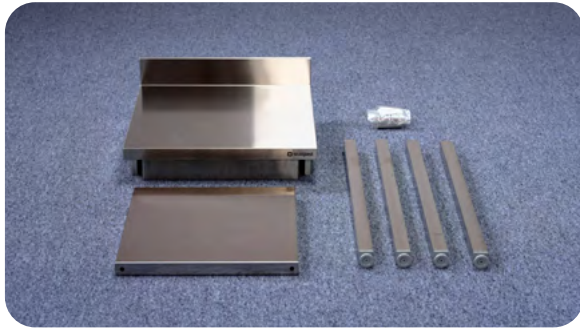
See how easy it is to assemble GREDIL ECO line furniture!

- Assembly tools included
- The furniture is delivered in compact cardboard packaging
- The bodies of tables, cabinets and lockers are equipped with adjustable shelves
- The furniture is equipped with a protective equipotential pin





**Watch the video and see how quick and easy it is to assemble
GREDIL ECO line furniture**



SCAN ME

Scan QR code
and watch full video

A QR code that, when scanned, likely leads to a video showing the assembly process. A blue arrow points from the text to the QR code.



002

WALL TABLE WITHOUT SHELF
H = 850MM

| Cat. No. | W (mm) | D (mm) | Cat. No. | W (mm) | D (mm) |
|-----------|--------|--------|-----------|--------|--------|
| 950026060 | 600 | | 950027060 | 600 | |
| 950026080 | 800 | | 950027080 | 800 | |
| 950026100 | 1000 | | 950027100 | 1000 | |
| 950026120 | 1200 | | 950027120 | 1200 | |
| 950026140 | 1400 | 600 | 950027140 | 1400 | 700 |
| 950026150 | 1500 | | 950027150 | 1500 | |
| 950026160 | 1600 | | 950027160 | 1600 | |
| 950026180 | 1800 | | 950027180 | 1800 | |
| 950026200 | 2000 | | 950027200 | 2000 | |



004

WALL TABLE WITH SHELF
H = 850MM

| Cat. No. | W (mm) | D (mm) | Cat. No. | W (mm) | D (mm) |
|-----------|--------|--------|-----------|--------|--------|
| 950046060 | 600 | | 950047060 | 600 | |
| 950046080 | 800 | | 950047080 | 800 | |
| 950046100 | 1000 | | 950047100 | 1000 | |
| 950046120 | 1200 | | 950047120 | 1200 | |
| 950046140 | 1400 | 600 | 950047140 | 1400 | 700 |
| 950046150 | 1500 | | 950047150 | 1500 | |
| 950046160 | 1600 | | 950047160 | 1600 | |
| 950046180 | 1800 | | 950047180 | 1800 | |
| 950046200 | 2000 | | 950047200 | 2000 | |



006

WALL TABLE WITH 2 SHELVES
H = 850MM

| Cat. No. | W (mm) | D (mm) | Cat. No. | W (mm) | D (mm) |
|-----------|--------|--------|-----------|--------|--------|
| 950066060 | 600 | | 950067060 | 600 | |
| 950066080 | 800 | | 950067080 | 800 | |
| 950066100 | 1000 | | 950067100 | 1000 | |
| 950066120 | 1200 | | 950067120 | 1200 | 700 |
| 950066140 | 1400 | 600 | 950067140 | 1400 | |
| 950066150 | 1500 | | 950067160 | 1600 | |
| 950066160 | 1600 | | 950067180 | 1800 | |
| 950066180 | 1800 | | | | |





008

CENTRAL TABLE WITHOUT SHELF
H = 850MM

| Cat. No. | W (mm) | D (mm) | Cat. No. | W (mm) | D (mm) |
|-----------|--------|--------|-----------|--------|--------|
| 950086060 | 600 | | 950087060 | 600 | |
| 950086080 | 800 | | 950087080 | 800 | |
| 950086100 | 1000 | | 950087100 | 1000 | |
| 950086120 | 1200 | | 950087120 | 1200 | |
| 950086140 | 1400 | 600 | 950087140 | 1400 | 700 |
| 950086150 | 1500 | | 950087150 | 1500 | |
| 950086160 | 1600 | | 950087160 | 1600 | |
| 950086180 | 1800 | | 950087180 | 1800 | |
| 950086200 | 2000 | | 950087200 | 2000 | |



010

CENTRAL TABLE WITH SHELF
H = 850MM

| Cat. No. | W (mm) | D (mm) | Cat. No. | W (mm) | D (mm) |
|-----------|--------|--------|-----------|--------|--------|
| 950106060 | 600 | | 950107060 | 600 | |
| 950106080 | 800 | | 950107080 | 800 | |
| 950106100 | 1000 | | 950107100 | 1000 | |
| 950106120 | 1200 | | 950107120 | 1200 | |
| 950106140 | 1400 | 600 | 950107140 | 1400 | 700 |
| 950106150 | 1500 | | 950107150 | 1500 | |
| 950106160 | 1600 | | 950107160 | 1600 | |
| 950106180 | 1800 | | 950107180 | 1800 | |
| 950106200 | 2000 | | 950107200 | 2000 | |



425

LOW CENTRAL TABLE WITH SHELF
H = 600MM

| Cat. No. | W (mm) | D (mm) |
|-----------|--------|--------|
| 954257100 | 1000 | |
| 954257150 | 1500 | 700 |
| 954257200 | 2000 | |





014

WALL TABLE WITH SWING DOORS
H = 850MM

| Cat. No. | W (mm) | D (mm) | Cat. No. | W (mm) | D (mm) |
|------------|--------|--------|------------|--------|--------|
| 950146040S | 400 | 600 | 950147040S | 400 | 700 |
| 950146060S | 600 | 600 | 950147060S | 600 | 700 |



015

WALL TABLE WITH SWING DOORS
H = 850MM

| Cat. No. | W (mm) | D (mm) | Cat. No. | W (mm) | D (mm) |
|------------|--------|--------|------------|--------|--------|
| 950156080S | 800 | | 950157080S | 800 | |
| 950156100S | 1000 | 600 | 950157100S | 1000 | 700 |
| 950156120S | 1200 | | 950157120S | 1200 | |

- movable shelf



018

WALL TABLE WITH SLIDING DOORS
H = 850MM

| Cat. No. | W (mm) | D (mm) | Cat. No. | W (mm) | D (mm) |
|------------|--------|--------|------------|--------|--------|
| 950186100S | 1000 | | 950187100S | 1000 | |
| 950186120S | 1200 | 600 | 950187120S | 1200 | 700 |
| 950186140S | 1400 | | 950187140S | 1400 | |

- movable shelf





445

TABLE WITH A SINGLE-CHAMBER SINK WITH A SHELF
H = 850MM

| Cat. No. | W (mm) | D (mm) | Sink dimensions (mm) |
|-----------|--------|--------|----------------------|
| 954456060 | 600 | 600 | 400x400x250 |

| Cat. No. | W (mm) | D (mm) | Sink dimensions (mm) |
|-----------|--------|--------|----------------------|
| 954457060 | 600 | 700 | 400x400x250 |



446

TABLE WITH A SINGLE-CHAMBER SINK WITH A SHELF
H = 850MM

| Cat. No. | W (mm) | D (mm) | Sink dimensions (mm) |
|-----------|--------|--------|----------------------|
| 954466100 | 1000 | | 400x400x250 |
| 954466120 | 1200 | 600 | 400x400x250 |
| 954466140 | 1400 | | 400x400x250 |

| Cat. No. | W (mm) | D (mm) | Sink dimensions (mm) |
|-----------|--------|--------|----------------------|
| 954467100 | 1000 | | 500x500x250 |
| 954467120 | 1200 | 700 | 500x500x250 |
| 954467140 | 1400 | | 500x500x250 |

- 954467100 without drainer



447

TABLE WITH A SINGLE-CHAMBER SINK WITH A SHELF
H = 850MM

| Cat. No. | W (mm) | D (mm) | Sink dimensions (mm) |
|-----------|--------|--------|----------------------|
| 954476100 | 1000 | | 400x400x250 |
| 954476120 | 1200 | 600 | 400x400x250 |
| 954476140 | 1400 | | 400x400x250 |

| Cat. No. | W (mm) | D (mm) | Sink dimensions (mm) |
|-----------|--------|--------|----------------------|
| 954477100 | 1000 | | 500x500x250 |
| 954477120 | 1200 | 700 | 500x500x250 |
| 954477140 | 1400 | | 500x500x250 |

- 954477100 without drainer





458

TABLE WITH A DOUBLE CHAMBER SINK WITH A SHELF
H = 850MM

| Cat. No. | W (mm) | D (mm) | Sink dimensions (mm) |
|-----------|--------|--------|----------------------|
| 954586100 | 1000 | | 400x400x250 |
| 954586120 | 1200 | 600 | 400x400x250 |

| Cat. No. | W (mm) | D (mm) | Sink dimensions (mm) |
|-----------|--------|--------|----------------------|
| 954587100 | 1000 | | 400x400x250 |
| 954587120 | 1200 | 700 | 500x500x250 |



459

TABLE WITH A DOUBLE CHAMBER SINK WITH A SHELF
H = 850MM

| Cat. No. | W (mm) | D (mm) | Sink dimensions (mm) |
|-----------|--------|--------|----------------------|
| 954596140 | 1400 | | 400x400x250 |
| 954596160 | 1600 | 600 | 400x400x250 |

| Cat. No. | W (mm) | D (mm) | Sink dimensions (mm) |
|-----------|--------|--------|----------------------|
| 954597140 | 1400 | | 500x500x250 |
| 954597160 | 1600 | 700 | 500x500x250 |

- 954597140 without drainer



460

TABLE WITH A DOUBLE CHAMBER SINK WITH A SHELF
H = 850MM

| Cat. No. | W (mm) | D (mm) | Sink dimensions (mm) |
|-----------|--------|--------|----------------------|
| 954606140 | 1400 | | 400x400x250 |
| 954606160 | 1600 | 600 | 400x400x250 |

| Cat. No. | W (mm) | D (mm) | Sink dimensions (mm) |
|-----------|--------|--------|----------------------|
| 954607140 | 1400 | | 500x500x250 |
| 954607160 | 1600 | 700 | 500x500x250 |

- 954607140 without drainer





477

LOADING TABLE FOR STALGAST HOOD DISHWASHER
H = 870MM

Cat. No. W (mm) D (mm) Sink dimensions (mm)

| | | | |
|------------------|------|-----|-------------|
| 954777080 | 800 | 670 | 400x400x250 |
| 954777100 | 1000 | | 400x400x250 |



479

LOADING TABLE FOR STALGAST HOOD DISHWASHER
H = 870MM

Cat. No. W (mm) D (mm) Sink dimensions (mm)

| | | | |
|------------------|------|-----|-------------|
| 954797080 | 800 | 670 | 400x400x250 |
| 954797100 | 1000 | | 400x400x250 |



478

UNLOADING TABLE FOR STALGAST HOOD DISHWASHER
H = 870MM

Cat. No. W (mm) D (mm)

| | | |
|------------------|------|-----|
| 954787080 | 800 | 670 |
| 954787100 | 1000 | |



480

UNLOADING TABLE FOR STALGAST HOOD DISHWASHER
H = 870MM

Cat. No. W (mm) D (mm)

| | | |
|------------------|------|-----|
| 954807080 | 800 | 670 |
| 954807100 | 1000 | |





489

TABLE WITH SINGLE-COMPARTMENT SINK
AND ROOM FOR FRIDGE OR DISHWASHER
H = 900MM

| Cat. No. | W (mm) | D (mm) | Sink dimensions (mm) |
|-----------|--------|--------|----------------------|
| 954897120 | 1200 | 700 | 400x400x250 |
| 954897140 | 1400 | 700 | 500x500x250 |



490

TABLE WITH SINGLE-COMPARTMENT SINK
AND ROOM FOR FRIDGE OR DISHWASHER
H = 900MM

| Cat. No. | W (mm) | D (mm) | Sink dimensions (mm) |
|-----------|--------|--------|----------------------|
| 954907120 | 1200 | 700 | 400x400x250 |
| 954907140 | 1400 | 700 | 500x500x250 |



491

TABLE WITH 2-COMPARTMENT SINK AND ROOM
FOR FRIDGE OR DISHWASHER
H = 900MM

| Cat. No. | W (mm) | D (mm) | Sink dimensions (mm) |
|-----------|--------|--------|----------------------|
| 954917160 | 1600 | 700 | 400x400x250 |
| 954917180 | 1800 | 700 | 500x500x250 |



492

TABLE WITH 2-COMPARTMENT SINK AND ROOM
FOR FRIDGE OR DISHWASHER
H = 900MM

| Cat. No. | W (mm) | D (mm) | Sink dimensions (mm) |
|-----------|--------|--------|----------------------|
| 954927160 | 1600 | 700 | 400x400x250 |
| 954927180 | 1800 | 700 | 500x500x250 |





133

TABLE WITH A SINGLE-CHAMBER BASIN
H = 850MM



| Cat. No. | W (mm) | D (mm) | Cat. No. | W (mm) | D (mm) |
|-----------|--------|--------|-----------|--------|--------|
| 951336080 | 800 | | 951337080 | 800 | |
| 951336100 | 1000 | 600 | 951337100 | 1000 | 700 |
| 951336120 | 1200 | | 951337120 | 1200 | |

- chamber height h = 300 mm

152

STORAGE CABINET, SWINGING DOOR
H = 1800MM



| Cat. No. | W (mm) | D (mm) | Cat. No. | W (mm) | D (mm) |
|------------|--------|--------|------------|--------|--------|
| 951526080S | 800 | | 951527080S | 800 | 700 |
| 951526100S | 1000 | 600 | 951527100S | 1000 | |

160

STORAGE CABINET, SLIDING DOOR
H = 1800MM



| Cat. No. | W (mm) | D (mm) | Cat. No. | W (mm) | D (mm) |
|------------|--------|--------|------------|--------|--------|
| 951606100S | 1000 | | 951607100S | 1000 | 700 |
| 951606120S | 1200 | 600 | 951607120S | 1200 | |

172

HANGING CABINET SLIDING DOOR
H = 600MM



| Cat. No. | W (mm) | D (mm) | Cat. No. | W (mm) | D (mm) |
|-----------|--------|--------|-----------|--------|--------|
| 951723080 | 800 | | 951724080 | 800 | |
| 951723100 | 1000 | | 951724100 | 1000 | |
| 951723120 | 1200 | 300 | 951724120 | 1200 | 400 |
| 951723140 | 1400 | | 951724140 | 1400 | |
| | | | 951724160 | 1600 | |

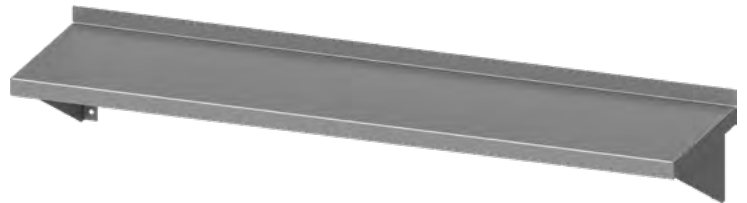
- movable shelf



173

CONSOLE HANGING SHELF
H = 170MM

| Cat. No. | W (mm) | D (mm) |
|-----------|--------|--------|
| 951733060 | 600 | |
| 951733080 | 800 | |
| 951733100 | 1000 | 300 |
| 951733120 | 1200 | |



188

STORAGE RACK SOLID SHELVES
H = 1800MM

| Cat. No. | W (mm) | D (mm) |
|-----------|--------|--------|
| 951884080 | 800 | |
| 951884100 | 1000 | |
| 951884120 | 1200 | 400 |
| 951884140 | 1400 | |

| Cat. No. | W (mm) | D (mm) |
|-----------|--------|--------|
| 951885080 | 800 | |
| 951885100 | 1000 | |
| 951885120 | 1200 | 500 |
| 951885140 | 1400 | |

| Cat. No. | W (mm) | D (mm) |
|-----------|--------|--------|
| 951886080 | 800 | |
| 951886100 | 1000 | |
| 951886120 | 1200 | 600 |
| 951886140 | 1400 | |



175

SINGLE ADJUSTABLE HANGING SHELF
H = 400MM

| Cat. No. | W (mm) | D (mm) |
|-----------|--------|--------|
| 951753080 | 800 | 300 |
| 951753120 | 1200 | |





176

SINGLE ADJUSTABLE HANGING SHELF
H = 400MM

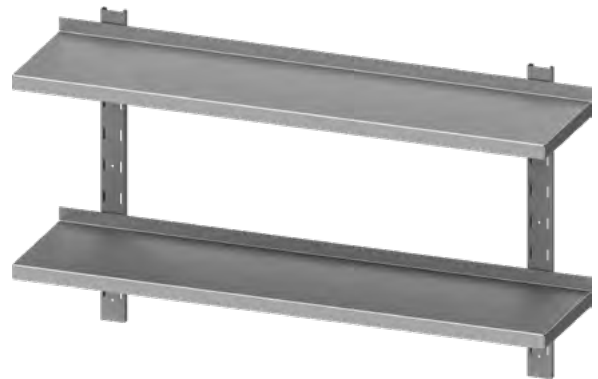
| Cat. No. | W (mm) | D (mm) |
|------------------|--------|--------|
| 951763160 | 1600 | 300 |



177

DOUBLE ADJUSTABLE HANGING SHELF
H = 660MM

| Cat. No. | W (mm) | D (mm) |
|------------------|--------|--------|
| 951773100 | 1000 | 300 |
| 951773120 | 1200 | 300 |



232

BLOCK OF TWO OR THREE DRAWERS
H = 540MM

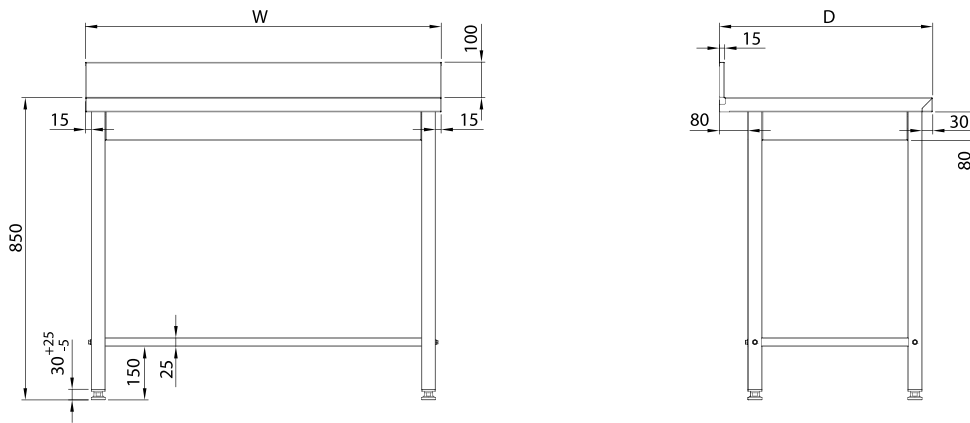
| Cat. No. | W (mm) | Drawers No |
|------------------|--------|------------|
| 952324042 | 490 | 2 |
| 952325042 | 590 | 2 |

| Cat. No. | W (mm) | Drawers No |
|------------------|--------|------------|
| 952324043 | 490 | 3 |
| 952325043 | 590 | 3 |

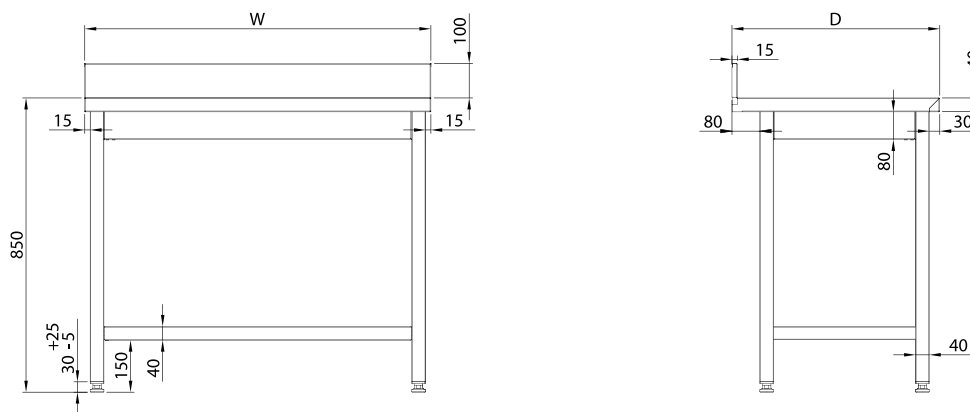




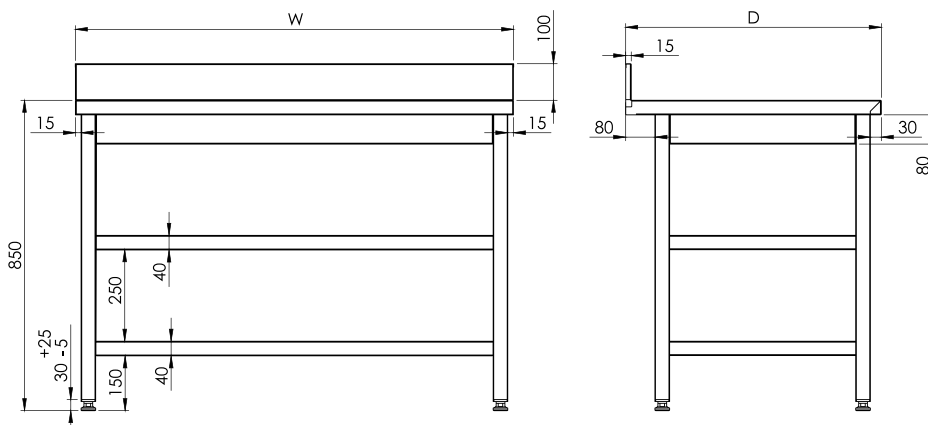
002 WALL TABLE WITHOUT SHELF



004 WALL TABLE WITH SHELF

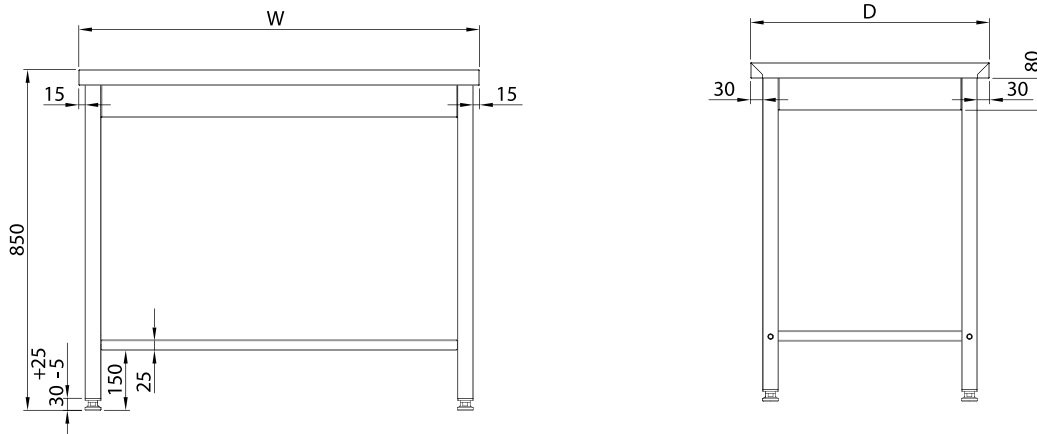


006 WALL TABLE WITH 2 SHELVES

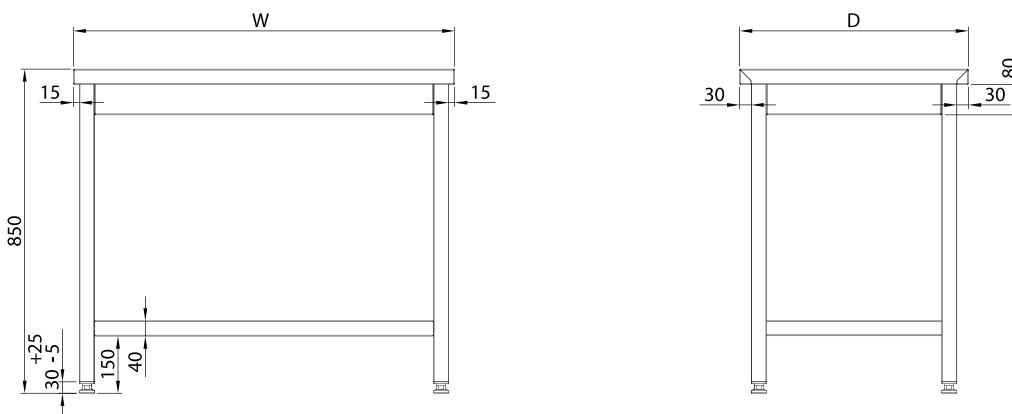




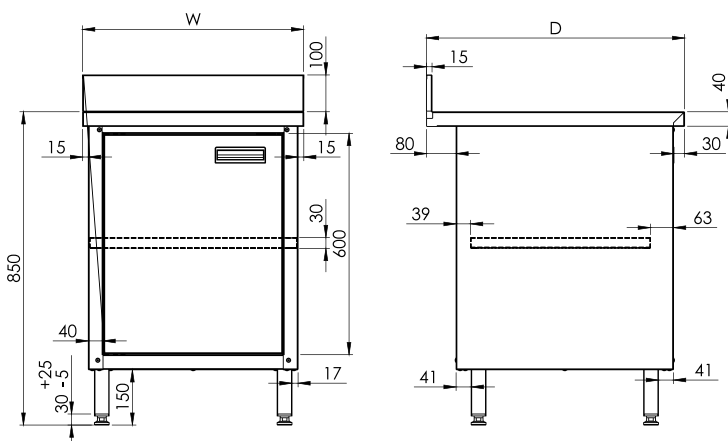
008 CENTRAL TABLE WITHOUT SHELF



010 CENTRAL TABLE WITH SHELF

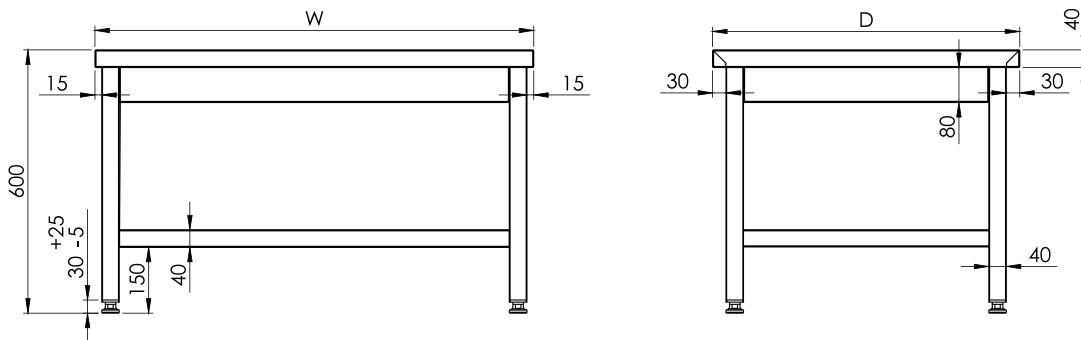


014 WALL TABLE WITH SWING DOORS

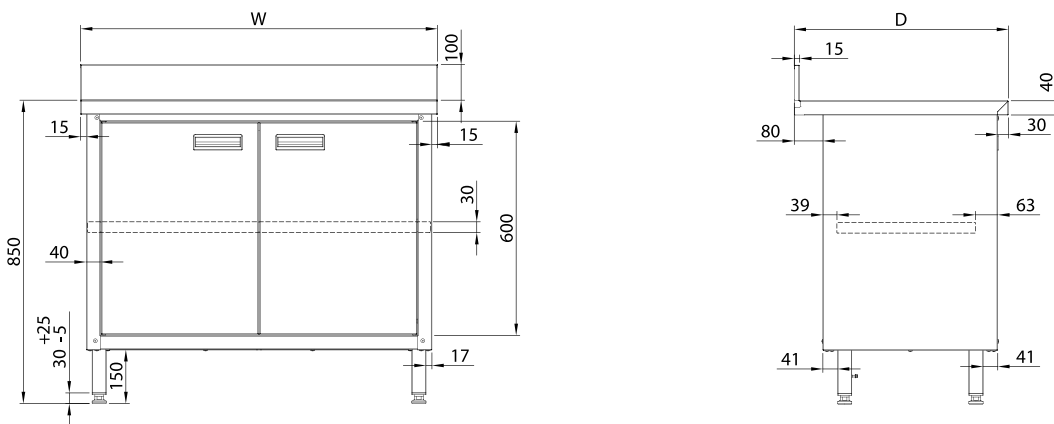




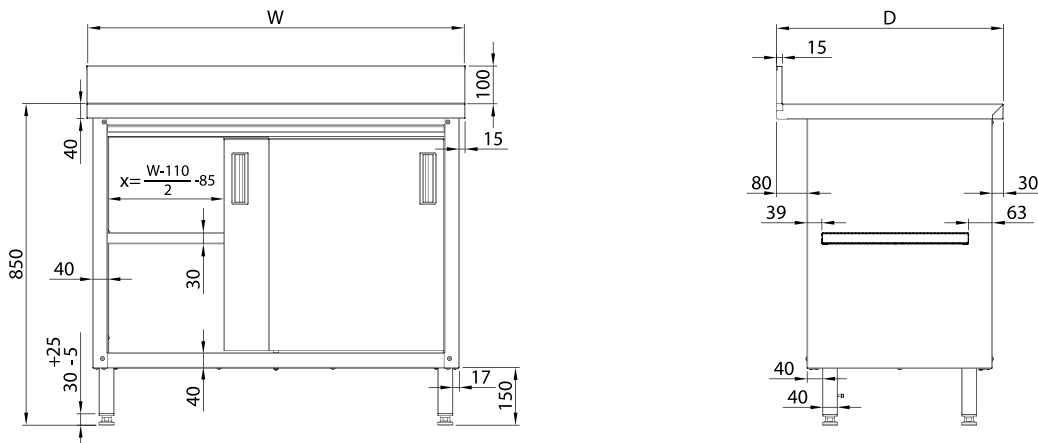
425 WALL TABLE WITH SWING DOORS



015 WALL TABLE WITH SWING DOORS



018 WALL TABLE WITH SLIDING DOORS



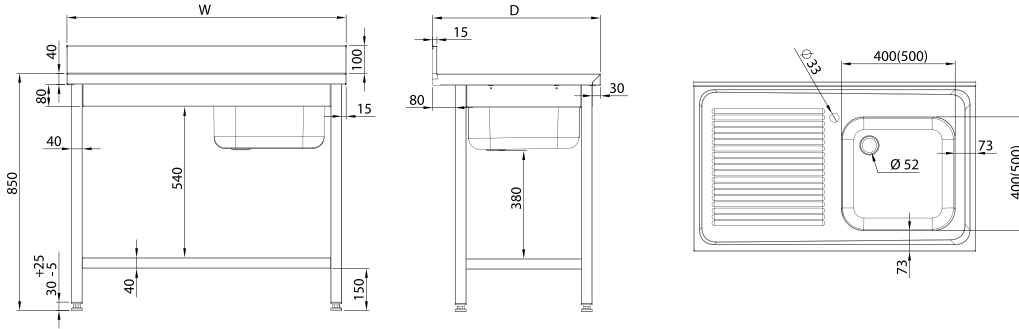


445

446

447

TABLE WITH A SINGLE-CHAMBER SINK WITH A SHELF

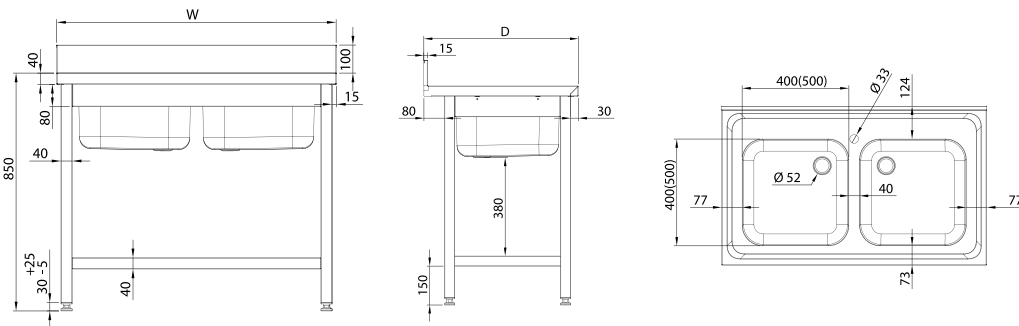


458

459

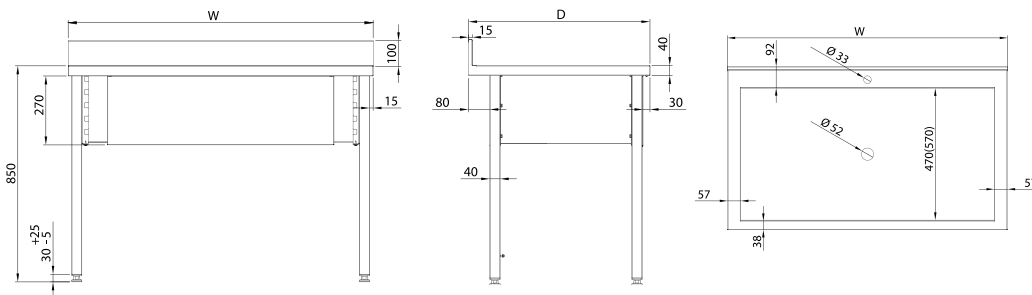
460

TABLE WITH A DOUBLE CHAMBER SINK WITH A SHELF



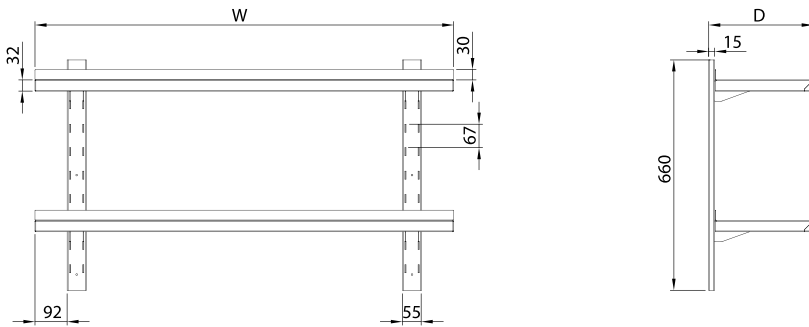
133

TABLE WITH A SINGLE-CHAMBER BASIN

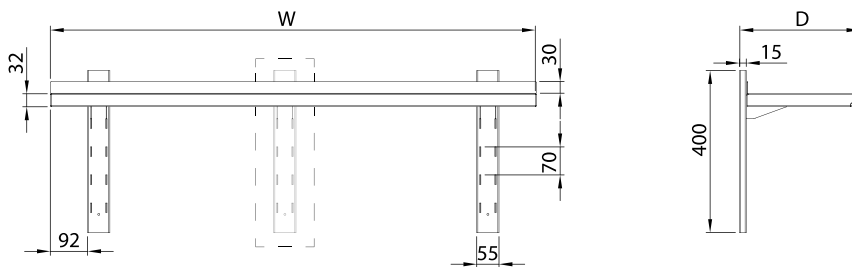




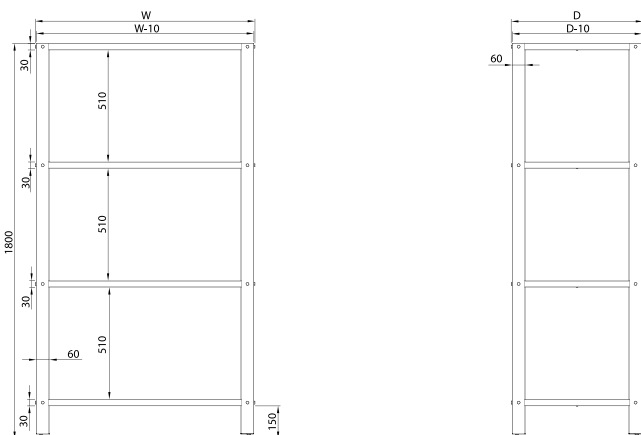
177 DOUBLE ADJUSTABLE HANGING SHELF



175 **176** SINGLE ADJUSTABLE HANGING SHELF



188 STORAGE RACK SOLID SHELVES

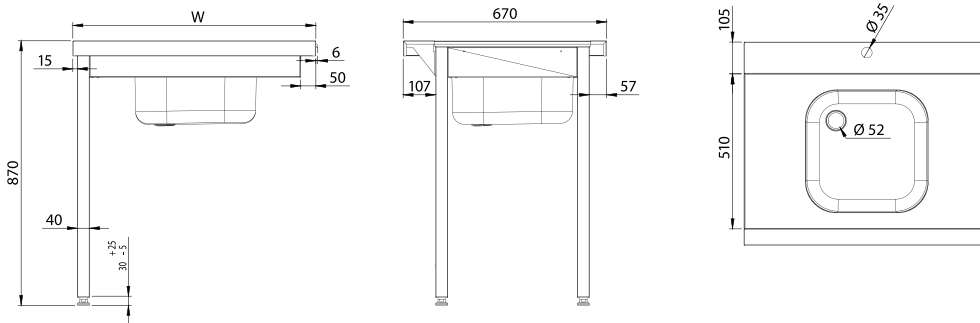




477

479

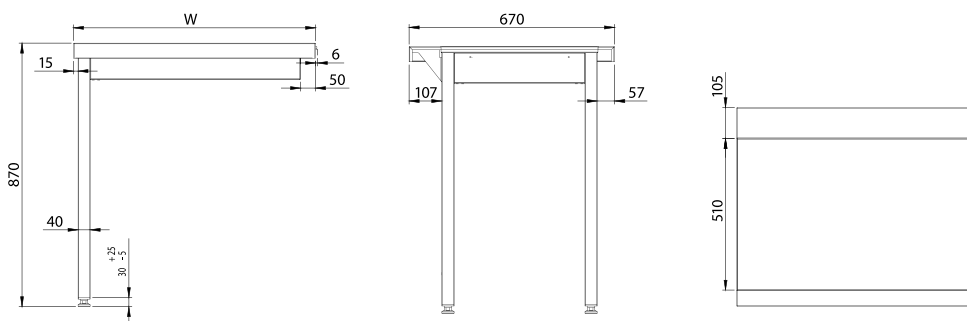
LOADING TABLE FOR STALGAST HOOD DISHWASHER



478

480

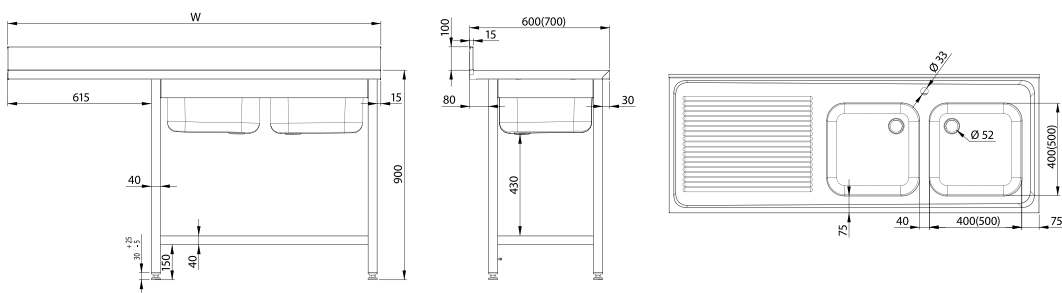
UNLOADING TABLE FOR STALGAST HOOD DISHWASHER



491

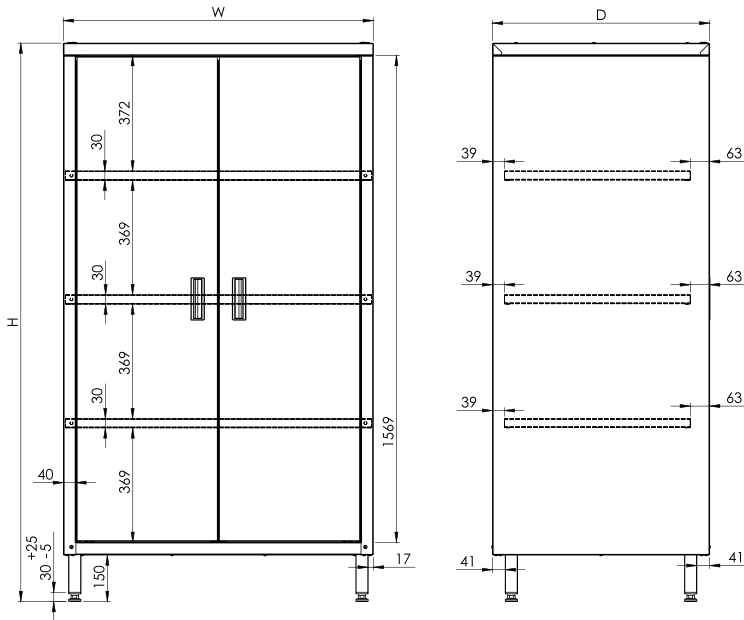
492

TABLE WITH 2-COMPARTMENT SINK AND ROOM FOR FRIDGE OR DISHWASHER

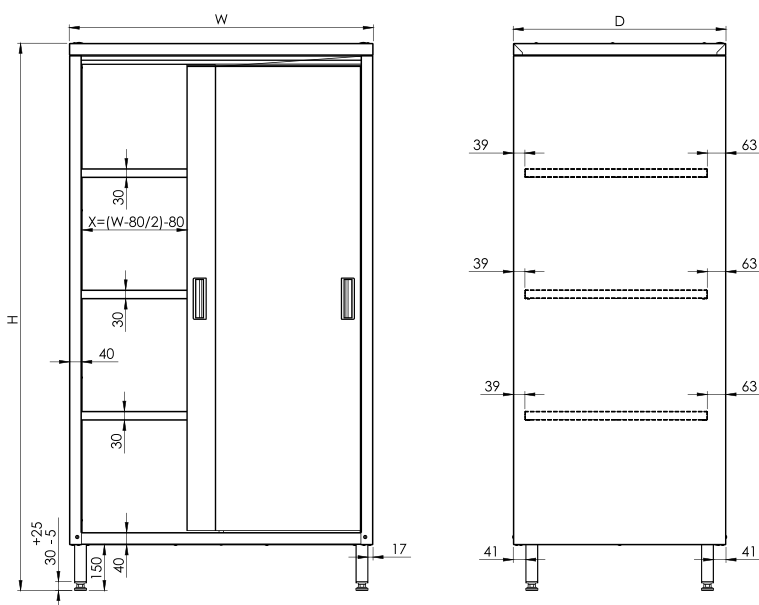




152 STORAGE CABINET, SWINGING DOOR



160 STORAGE CABINET, SLIDING DOOR

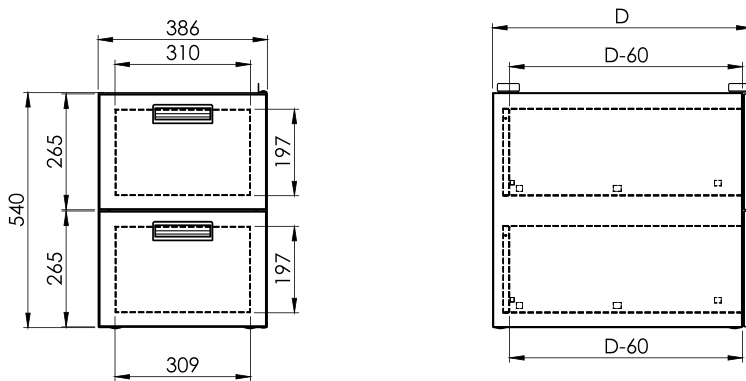




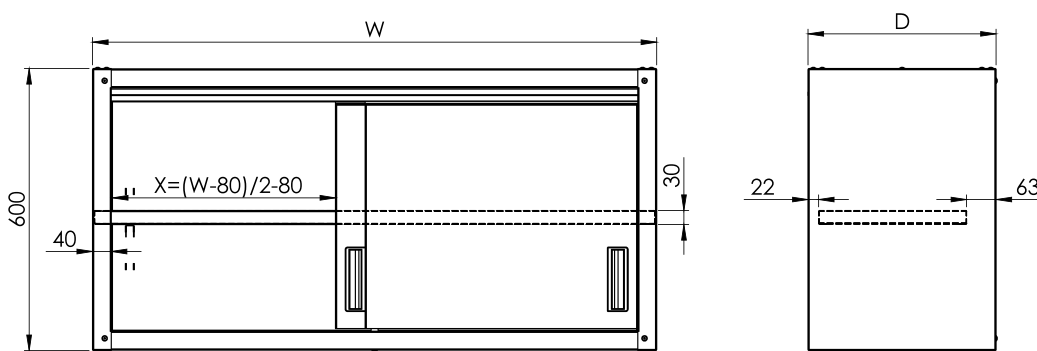
173 CONSOLE HANGING SHELF



232 BLOCK OF TWO OR THREE DRAWERS



172 HANGING CABINET SLIDING DOOR





Contact us



Stalgast sp. z o. o.
03-736, Plac Konesera 9
Warsaw, Poland



stalgast.eu
E-mail:
export@stalgast.com

GREDILEN_2023_09_26

